



Parts Manual

Mfg. No: 5901984
Citation XT, 27 Gross HP EFI B&S Zero-Turn Rider w/61" Mower Deck



- 5600784 - 61" iCD TURBO-Pro; 3-Bag Hard Top Grass Collection System (700/125XT).....
- 5600898 - Mulch Kit for ZTR w/ 61" Deck - S/N: 2015340577 & Above / Walk Behind w/ 61" Deck - S/N:
- 5600898 - Grass Mulcher Kit, 61" Mower Deck.....

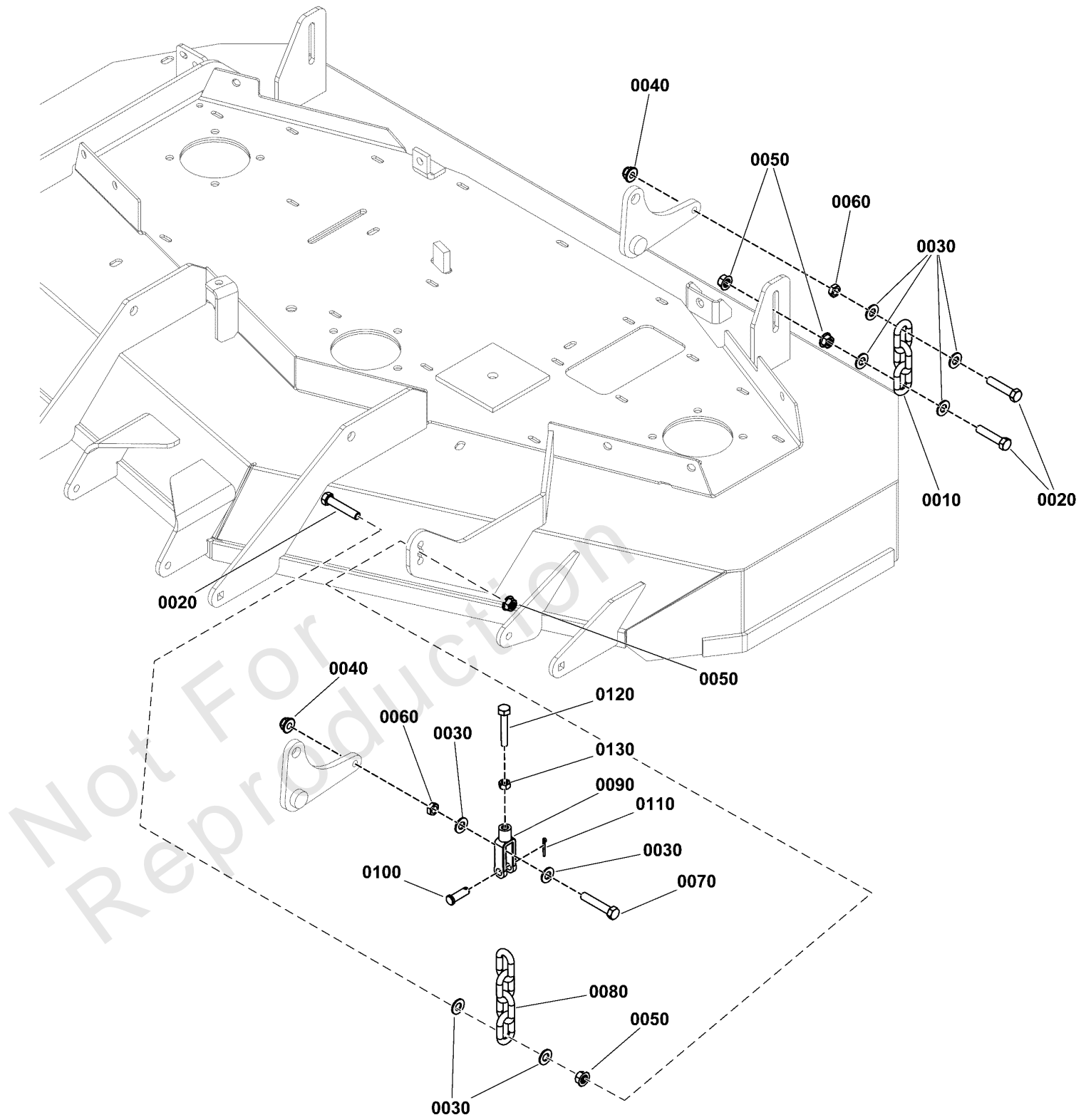
Not For
Reproduction

Model Components	Page
61" Mower Deck Group - Hanger Chains.....	4
61" Mower Deck Group - Housing, Covers, Spindles & Blades.....	6
61" Mower Deck Group - Pulleys, Belts & Idler Arms (2 Belt System).....	8
61" Mower Deck Group - Rollers.....	12
Decal Group - Brand & Model.....	14
Decal Group - Safety & Operation.....	16
Deck Lift Group.....	18
Electrical Group.....	22
Electrical Schematic - Charging Circuit.....	24
Electrical Schematic - Cranking Circuit.....	26
Electrical Schematic - Ign. Ground Circuit/Op Pres.....	28
Electrical Schematic - PTO Clutch Circuit.....	30
Engine and PTO Group.....	32
Evap Group.....	34
Fuel Tank & Mount Group.....	36
Hydraulic Group.....	38
Instrument Control Panel - Fuel Injected Models with Electronic Throttle Control.....	40
Main Frame and Front Suspension Group.....	42
Motion Control Group - Control System.....	44
Motion Control Group - Handles & Dampeners S/N: 4001938725 and Below.....	46
Motion Control Group - Handles & Dampeners S/N: 4001938726 and Above.....	50
Parking Brake Group (5303171).....	52
Rear Bumper and ROPS Group.....	54
Rear Suspension Group.....	56
Seat Mount and Floor Group.....	58
Spindle Service Parts - 5061096SM.....	60
Transaxle Drive Group.....	62
Transaxle SERVICE Parts - Hydro-Gear ZT3400 (84002464_84002465).....	64
Wheel and Tire Group S/N: 4001673740 and below.....	68
Wheel and Tire Group S/N: 4001673741 and above.....	70
Torque Specification Chart.....	72

61" Mower Deck Group - Hanger Chains

Note: Unless noted otherwise, use the standard torque specifications

Mfg. No: 5901984



61" Mower Deck Group - Hanger Chains

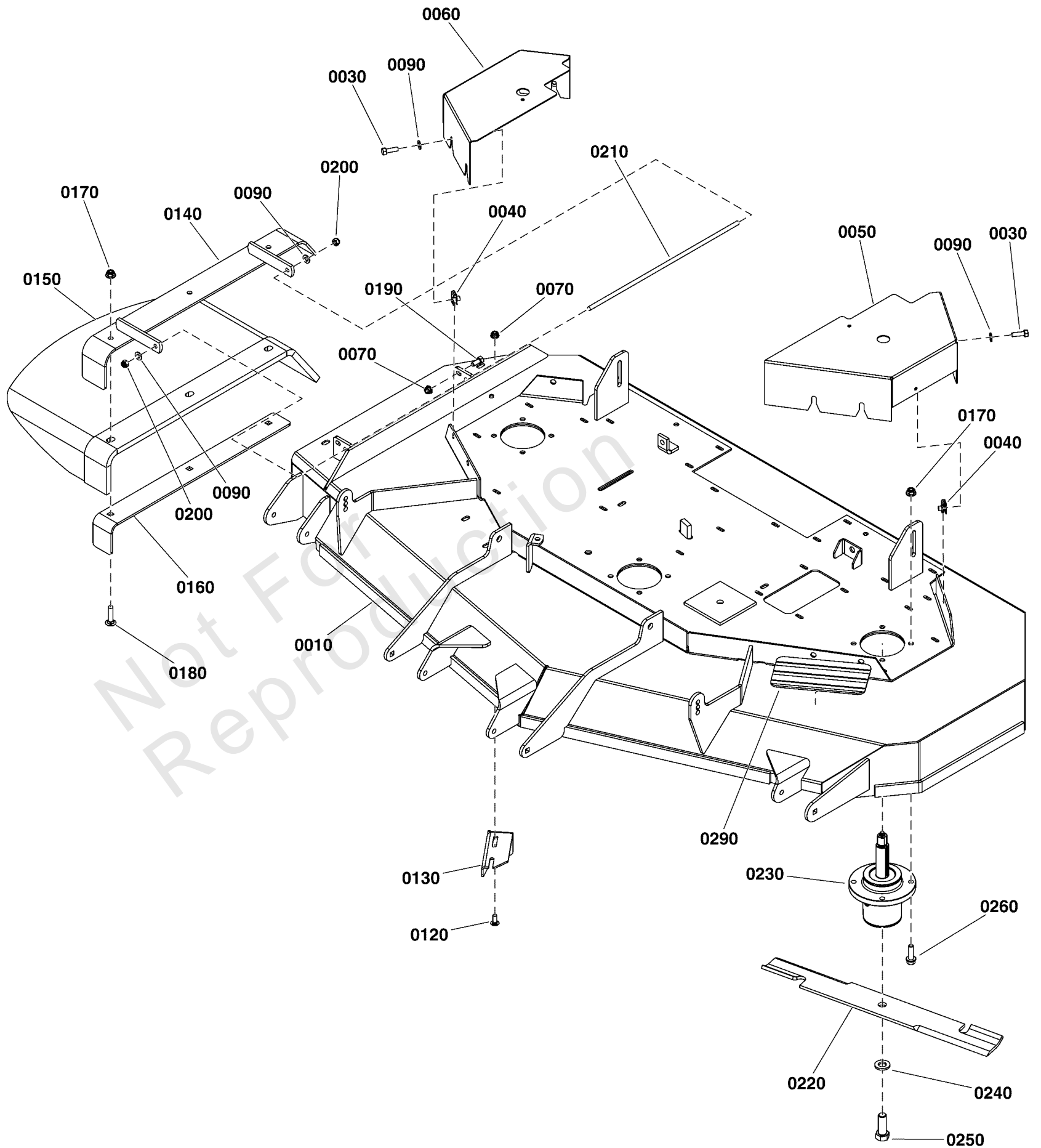
REF NO	PART NO	QTY	DESCRIPTION
0010	5050878X3SM	2	CHAIN, 5/16" GD30, 3
0020	5025013X14SM	6	BOLT, 3/8-16 X 1-3/4"
0030	703590	16	WASHER, FLAT, .406
0040	5025394SM	4	NUT, 3/8-16 HEX NYLOCK
0050	5025128SM	8	NUT, 3/8-16 HEX SERRA
0060	5025084SM	4	NUT, 3/8-16 HEX JAM
0070	703589	2	CAPSCREW, 3/8-16X2
0080	5050878X4YP	2	CHAIN, 5/16", 4 LINKS
0090	5100375YP	2	CLEVIS, 5/16-18, 3/8
0100	5025214X9SM	2	PIN - CLEVIS
0110	703312	2	PIN, COTTER, 3/32X.75
0120	5025055X16SM	2	BOLT, 5/16-18X2
0130	5025032SM	2	NUT, 5/16-18 HEX

Not For Reproduction

61" Mower Deck Group - Housing, Covers, Spindles & Blades

Note: Unless noted otherwise, use the standard torque specifications

Mfg. No: 5901984



61" Mower Deck Group - Housing, Covers, Spindles & Blades

REF NO	PART NO	QTY	DESCRIPTION
0010	84007218	1	KIT, Mower Deck
0030	703570	6	CAPSCREW, Hex Head, 5/16-18 x 1 1/4
0040	5022308SM	6	BODY CLIP, 5/16-18 X
0050	84003128	1	GUARD, Belt -(Left)
0060	5415574CYP	1	GUARD, Belt -(Right)
0070	703115	3	NUT
0090	703350	8	WASHER
0120	5025145X6SM	2	BOLT, 5/16-18 X 3/4",
0130	5401344AYP	1	PLATE, Deflector
0140	84003246	1	FRAME, CHUTE
0150	84011105	1	CHUTE, Discharge
0160	84003245	1	PLATE, SUPPORT
0170	5025394SM	15	NUT, 3/8-16 HEX NYLOCK
0180	5025146X12YP	3	BOLT, 3/8-16 X 1-1/2
0190	5025011X6SM	1	BOLT, 5/16-18 X 3/4"
0200	5025045SM	2	NUT, 5/16-24 HEX NYLO
0210	5061300SM	1	MOUNT, Chute
0220	5101755BMYP	3	BLADE, 21 X .25 X 2.5
0230	5061096SM	3	ASSM, SPINDLE, LONG S
0240	5025477SM	3	WASHER, 5/8" YZ
0250	770136	3	BOLT
0260	770137	12	BOLT
0290	5101004SM	1	SAFETY WALK

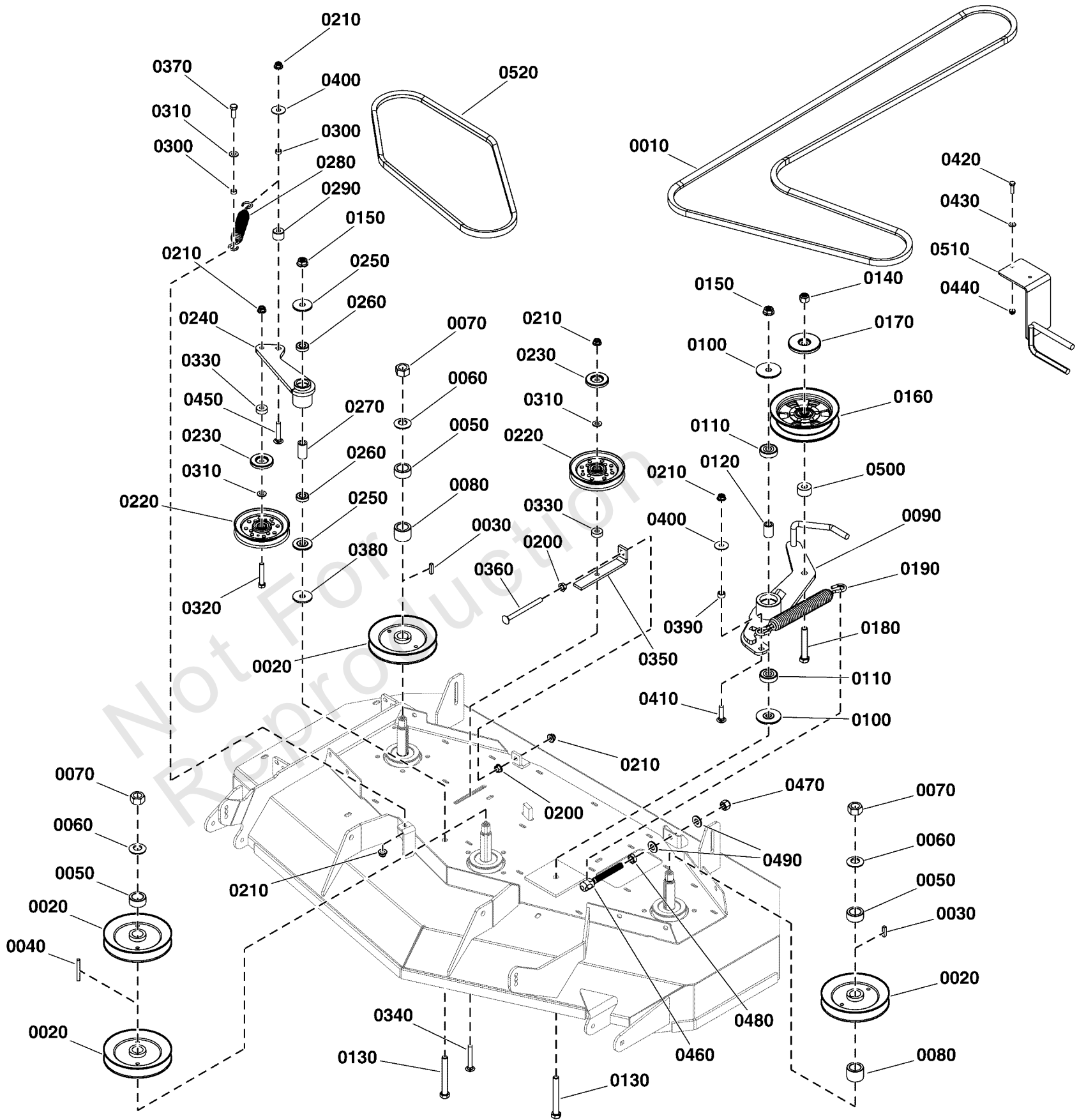
61" Mower Deck Group - Pulleys, Belts & Idler Arms (2 Belt System)

REF NO	PART NO	QTY	DESCRIPTION
0010	84001677	1	BELT -(5V/SPB 136.50 EL)
0020	5105004YP	4	PULLEY
0030	5050407X8SM	2	KEY, 1/4" SQ. X 1.00
0040	5050407X18SM	1	KEY - 1/4 SQX2 1/4
0050	5105047YP	3	SPACER
0060	770223	3	WASHER, Belleville, 3/4
0070	5025405SM	3	NUT, 3/4-16 HEX
0080	5105048YP	2	SPACER
0090	5415288AYP	1	ARM-IDLER
0100	5104379YP	2	SPACER
0110	5104383YP	2	BEARING
0120	5104456YP	1	SPACER, .51 X .84 X 1
0130	5025017X32YP	2	BOLT, 1/2-13 X 4 GD5
0140	7091325YP	1	HLN, NYLON, 1/2C YZ
0150	5025396SM	2	NUT, Hex Flange, 1/2-13
0160	5104716YP	1	PULLEY, IDLER
0170	5105041YP	1	SHIELD
0180	5025017X22SM	1	BOLT, 1/2-13 X 2-3/4"
0190	5105068YP	1	SPRING
0200	5025128SM	2	NUT, 3/8-16 HEX SERRA
0210	5025394SM	6	NUT, 3/8-16 HEX NYLOCK
0220	84004874	2	PULLEY
0230	5105033YP	2	SHIELD
0240	5416161AYP	1	ARM-IDLER
0250	5103262YP	2	SPACER, IDLER ARM
0260	7078243YP	2	BEARING, BALL, AXLE
0270	5103812YP	1	SPACER, .52 X .84 X 1
0280	5022847SM	1	SPRING, EXTENSION, SW
0290	5043815YP	1	SPACER
0300	5041930SM	2	SPACER, .38 X .50 X .
0310	703590	3	WASHER, FLAT, .406
0320	5025013X18SM	1	BOLT, 3/8-16 X 2-1/4"
0330	5105429YP	2	SPACER
0340	84005878	1	BOLT
0350	5415374AYP	1	PLATE
0360	5025146X36YP	1	BOLT
0370	5025013X8SM	1	BOLT, 3/8-16 X 1" GD5
0380	5103282YP	1	WASHER
0390	5105297YP	1	SPACER
0400	5025165SM	2	WASHER, 3/8" FENDER
0410	5025146X12YP	1	BOLT, 3/8-16 X 1-1/2
0420	5025010X8SM	2	BOLT, 1/4-20 X 1", GD
0430	703332	2	WASHER
0440	703463	2	NUT, GR5, 1/4-20
0450	5025146X16SM	1	BOLT, 3/8-16 X 2", CA
0460	5105844YP	1	ANCHOR, SPRING
0470	5025098SM	1	NUT, 1/2-20 HEX NYLON
0480	5025089SM	1	NUT, 1/2-20 HEX JAM
0490	5025158SM	2	WASHER, 1/2" SAE
0500	5045178SM	1	SPACER, .52 X 1.00 X

61" Mower Deck Group - Pulleys, Belts & Idler Arms (2 Belt System)

Note: Unless noted otherwise, use the standard torque specifications

Mfg. No: 5901984



61" Mower Deck Group - Pulleys, Belts & Idler Arms (2 Belt System)

REF NO	PART NO	QTY	DESCRIPTION
0510	5415938AYP	1	PLATE-BELT GUIDE
0520	84001678	1	BELT -(B-SEC, 64.00 EL)

Not For Reproduction

61" Mower Deck Group - Rollers

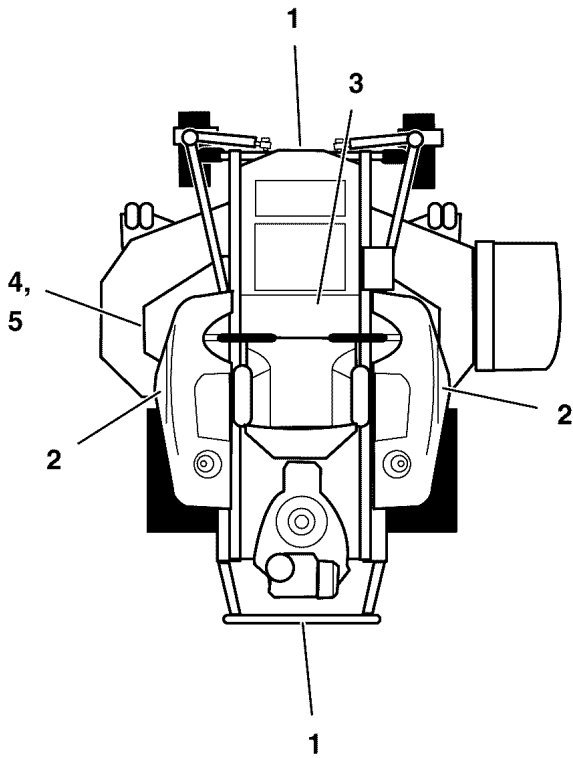
REF NO	PART NO	QTY	DESCRIPTION
0010	5105521YP	4	WHEEL, ANTI SCALP, 5"
0020	5105554YP	4	SPACER
0030	5025146X36YP	3	BOLT
0040	5025394SM	4	NUT, 3/8-16 HEX NYLOCK
0050	5025013X36YP	1	BOLT, 3/8-16 X 4-1/2
0060	703590	1	WASHER, FLAT, .406
0070	5023155SM	4	BUSHING, FLANGE
0080	1678042YP	7	ROLLER, W/Bushings
0090	5020602SM	2	COLLAR, 1" SPLIT
0100	5025010X6SM	8	BOLT, 1/4-20 X 3/4" G
0110	703463	8	NUT, GR5, 1/4-20
0120	1960033SM	4	CLIP, Hair Pin
0130	5410502AYP	1	WELD, ROLLER SUPPORT, 61" - BLACK
0140	5410501AYP	1	WELD, ROLLER SHAFT, 52 & 61, IS700 - BLK
0150	5410505AYP	1	WELD, ROLLER SUPPORT, 52-61, IS700 - BLK
0180	5025127SM	6	NUT, 5/16-18 HEX SERR
0190	703570	6	CAPSCREW, Hex Head, 5/16-18 x 1 1/4

Decal Group - Brand & Model

Note: Unless noted otherwise, use the standard torque specifications

Mfg. No: 5901984

5303242
5303236



1 — ***Simplicity***[®]

2 — ***Simplicity***

3 — **CITATION XT**

4 — $\frac{61''}{155\text{cm}}$

5 — $\frac{52''}{132\text{cm}}$

Not For
Reproduction

Decal Group - Brand & Model

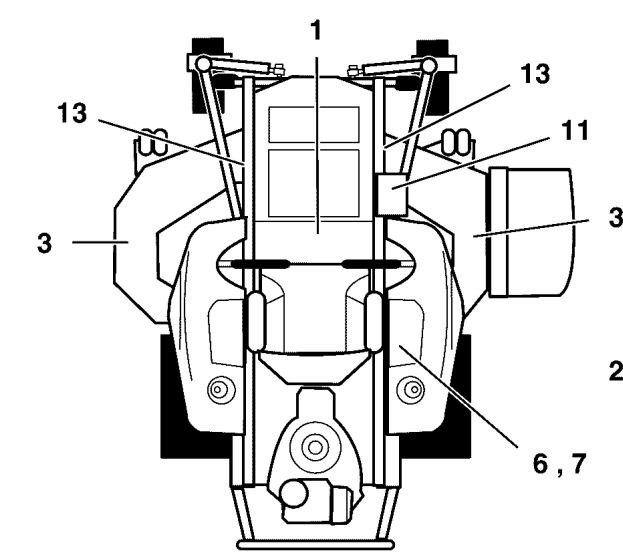
REF NO	PART NO	QTY	DESCRIPTION
1	1757673YP	2	DECAL, SMI LOGO 10.47
2	1757674YP	2	DECAL, Simplicity
3	771108	1	DECAL, SMI, Model Citation XT
4	1755723YP	1	DECAL, MOWER WIDTH 61IN/155CM
5	1755721YP	1	DECAL, 52"/132cm

Not For Reproduction

Decal Group - Safety & Operation

Note: Unless noted otherwise, use the standard torque specifications

Mfg. No: 5901984



WARNING

Avoid serious injury or death

- Read operator's manual before using this product.
- Do NOT operate this machine unless you are trained.
- Know the location and function of all controls.
- Keep safety devices (guards, shields, switches, etc.) in place and working.
- Remove objects that could be thrown by the blades.
- Be sure blades and engine are stopped before placing hands or feet near blades.
- When leaving machine, shut off, remove key and set parking brake.

Fire Hazard
Gasoline is flammable. Yard debris is combustible.

- Allow engine to cool for at least 3 minutes before refueling.
- Keep unit cleaned of yard debris.
- This equipment may create sparks that can start fires around dry vegetation. A spark arrester may be required. Contact local fire agencies for regulations relating to fire prevention requirements.

DANGER

Rotating blades cut off arms and legs.

- Stop the mower when children or others are near.
- Do not carry riders (especially children) even with the blades off. They may fall off or return for another ride when you are not expecting it.
- Lock down, behind and to the side before changing directions.

Operating on slopes can be hazardous and cause loss of control and roll-overs.

- Do not operate on slope over 15 degrees.
- Avoid sudden turns or rapid speed changes.
- Reduce speed and use extreme caution on slopes.
- Avoid turning down slopes; if possible turn up slopes.
- If machine slopes forward motion on a slope, stop the blades and drive slowly off the slope.

Wheels dropping over edges may result in serious injury, death or drowning.

- Do NOT operate down slopes towards or near water, retaining walls or drop-offs.
- Save yourself a minimum of two mower widths of clearance around these hazards.

Wet or soft slopes can cause sliding and loss of control.

- Do NOT operate on slopes when grass is wet.
- Do NOT operate on slopes when soil is soft (such as after heavy rains).

WARNING

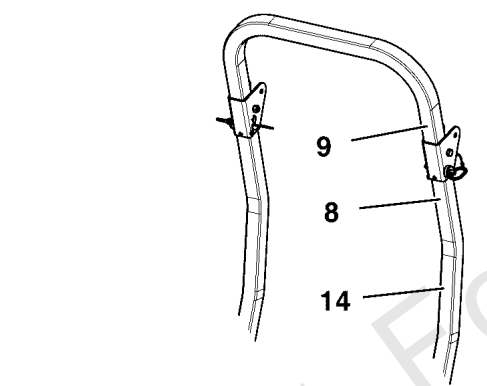
Amputation and Pinch Point Hazard

To avoid injury from rotating parts, stay clear of parts and keep all shields and guards in place.

DANGER

Amputation and thrown objects hazard

- Keep hands and feet away from deck.
- Do not operate mower unless discharge chute or entire grass catcher is in its proper place.



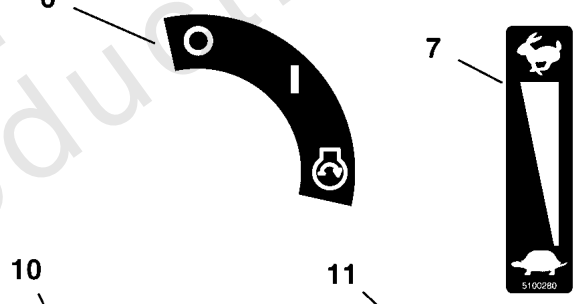
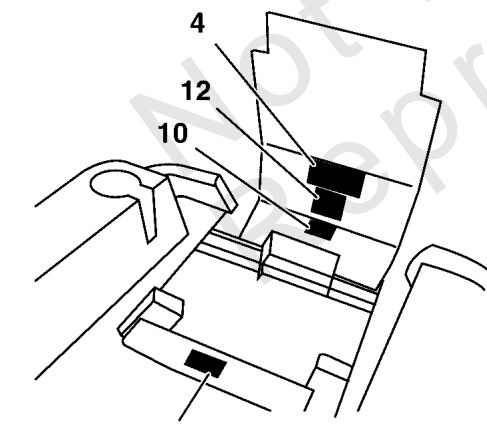
WARNING

Avoid serious injury or death from rollover.

Do not operate without the rollbar installed and operational.

Transaxle Release Lever Location

Ignition System (Gasoline Models)
This spark ignition system complies with Canadian standard ICES-002

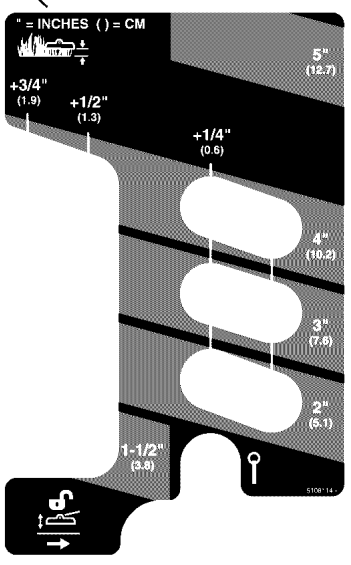


HYDRAULIC OIL RESERVOIR

USE SAE 20W-50 MOTOR OIL

Belts & Blades

Tractor	
Pump Drive Belt	84001673
52" Mower	
Deck Drive Belt - Long LH	84001674
Deck Drive Belt - Short RH	84001675
Mower Blade	84001676
61" Mower	
Deck Drive Belt - Long LH	84001677
Deck Drive Belt - Short RH	84001678
Mower Blade	84001679



WARNING

AVOID SERIOUS INJURY OR DEATH FROM ROLL OVER:

Keep roll bar in the raised position and use seat belt.

THERE IS NO ROLL OVER PROTECTION WHEN THE ROLL BAR IS DOWN

Lower the roll bar only when necessary and NEVER remove it.

Do NOT use seat belt when the roll bar is down.

Raise the roll bar as soon as clearance permits.

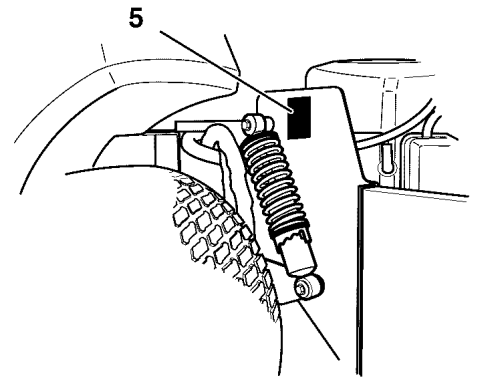
Do NOT jump off if mower tips.

Read and follow all operating instructions and warnings in the operator's manual.

WARNING

LOW OVERHANGING OBSTACLES HAZARD

Check for overhead clearances before driving under any objects. Do NOT allow roll bar to contact low overhanging obstacles, such as tree branches and guide wires.



WARNING

PINCH POINT

To avoid injury from loaded spring, read operator's manual before removing spring.

CAUTION

ROLL OVER PROTECTIVE STRUCTURE

To maintain operator protection and roll bar certification:

Replace a damaged roll bar, do NOT attempt to repair or modify.

Any alteration of the roll bar must be approved by the manufacturer.

DO NOT exceed the machine weight rating of the roll bar.

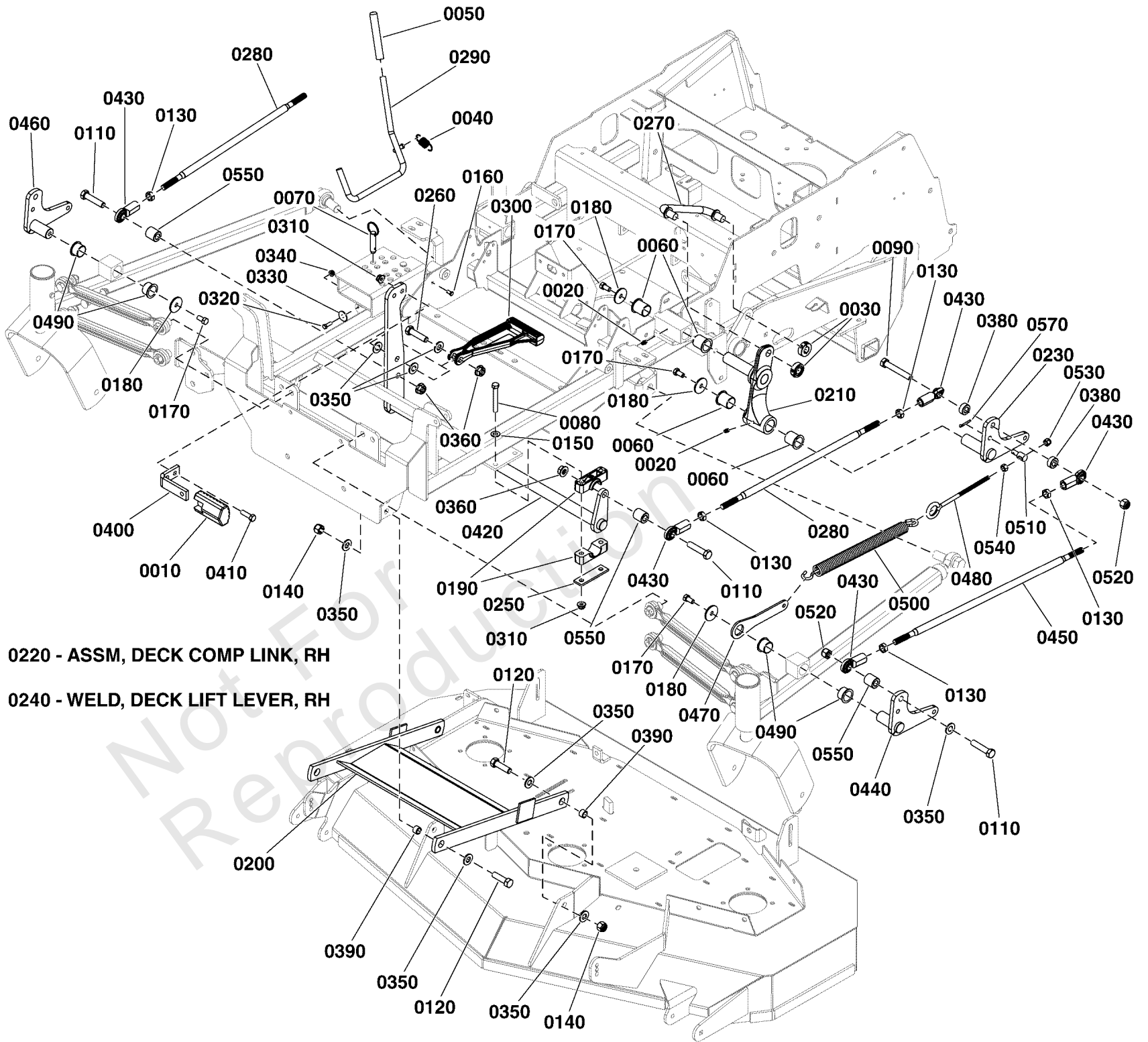
Decal Group - Safety & Operation

REF NO	PART NO	QTY	DESCRIPTION
1	84008252	1	DECAL, MAIN SAFETY
2	5103184YP	1	DECAL, WARNING, ENG
3	7101665YP	2	DECAL, DANGER
4	5103725YP	1	DECAL, TRANS RELEASE
5	5100683SM	2	DECAL, WARNING
6	5048970SM	1	DECAL, Ignition Switch
7	5100280SM	1	DECAL, THROTTLE CONTR
8	5104082YP	1	DECAL, WARNING, ROPS -(SV)
9	5100405YP	1	DECAL, WARNING, Overhead Obstacles -(SV)
10	5100957SM	1	DECAL, HYDRAULIC OIL, SAE 20W50
11	84007493	1	DECAL, Cut Height
12	84003130	1	DECAL, Belt & Blade
13	5061245SM	2	DECAL, PINCH POINT -(Qty: 1 for models with 52" mower deck)
14	5104083YP	1	DECAL, CAUTION, ROPS -(SV)

Deck Lift Group

Note: Unless noted otherwise, use the standard torque specifications

Mfg. No: 5901984



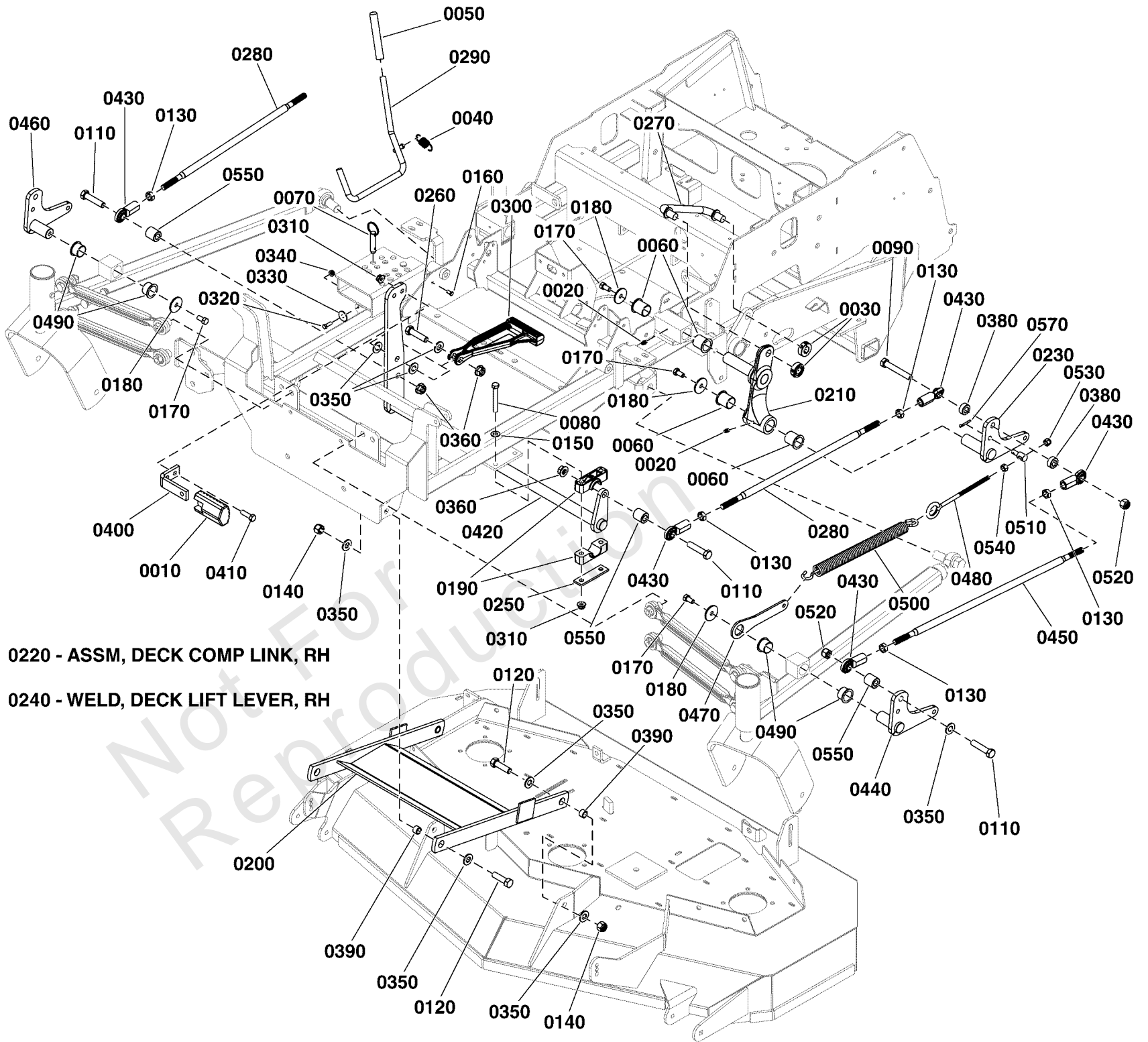
Deck Lift Group

REF NO	PART NO	QTY	DESCRIPTION
0010	5104262YP	1	PEDAL, RUBBER
0020	5020095SM	4	GREASE FITTING, 1/4-2
0030	5020441SM	4	COLLAR, 5/8" SPLIT
0040	5010213YP	1	SPRING-EXT, .740 ODX2
0050	5021880SM	1	GRIP, FOAM
0060	5023343SM	8	BUSHING, 1.00 X 1.13
0070	5023498SM	1	PIN, HITCH, 1/2 X 2.0
0080	5025013X22SM	5	BOLT, 3/8-16 X 2-3/4"
0090	5025017X26SM	2	BOLT, 1/2-13
0110	5025017X18SM	3	BOLT, 1/2-13
0120	5025018X14SM	4	BOLT, 1/2-20 X 1-3/4" GD5 YZ
0130	5025089SM	8	NUT, 1/2-20 HEX JAM
0140	5025098SM	4	NUT, 1/2-20 HEX NYLON
0150	703590	4	WASHER, FLAT, .406
0160	5025212X4SM	1	PIN, CLEVIS, 1/4 X 1/
0170	5025443SM	6	BOLT - 3/8-16 X 3/4
0180	5100548SM	6	WASHER - .39X1.50
0190	5100634SM	4	PIVOT BLOCK, PLASTIC
0200	84006569	1	BAR, Puller
0210	5105172YP	1	ARM, LINK
0220	5105173YP	1	ARM, LINK
0230	5401671AYP	1	DECK LIFT LEVER, LH
0240	5401672AYP	1	DECK LIFT LEVER, RH
0250	5403925AYP	2	PLATE, Pivot
0260	5025017X16YP	1	BOLT, 1/2-13 X 2 GD5
0270	5103703YP	2	ROD, SUSPENSION LINK
0280	5103758YP	2	ROD, DECK LIFT, 19.25
0290	5410317AYP	1	WELD, Rod, Deck Lift - BLK
0300	5104133YP	1	ARM-LINK
0310	5025394SM	6	NUT, 3/8-16 HEX NYLOCK
0320	703338	2	BOLT, 1/4-20X5/8
0330	5025288YP	2	WASHER, 1/4 FENDER
0340	703463	2	NUT, GR5, 1/4-20
0350	5025158SM	13	WASHER, 1/2" SAE
0360	5025396SM	3	NUT, Hex Flange, 1/2-13
0380	5045023SM	4	SPACER, .52 X 1.00 X
0390	5020870SM	4	INSERT, BEARING
0400	5061569AYP	1	PEDAL, FOOT
0410	5025013X10SM	2	BOLT, 3/8-16 X 1-1/4"
0420	84002183	1	WELD, DECK LIFT SHAFT - BLK
0430	1702779SM	8	JOINT-BALL .500-20 TH
0440	84002184	1	WELD, DECK LIFT LEVER, LH - BLK
0450	84002474	2	ROD, LIFT
0460	84002185	1	WELD, DECK LIFT LEVER, RH - BLK
0470	84002186	1	MOUNT, SPRING, DECK LIFT - BLK
0480	5021811SM	1	EYE BOLT, 3/8-16 X 8"
0490	5023356SM	4	BUSHING, 1.00X1.13X.7
0500	5023355SM	1	SPRING, DECK LIFT ASS
0510	5100380SM	1	ADJUSTER - DECK
0520	7091325YP	4	HLN, NYLON, 1/2C YZ
0530	5025096SM	1	NUT, 3/8-16 HEX NYLON

Deck Lift Group

Note: Unless noted otherwise, use the standard torque specifications

Mfg. No: 5901984



0220 - ASSM, DECK COMP LINK, RH

0240 - WELD, DECK LIFT LEVER, RH

Deck Lift Group

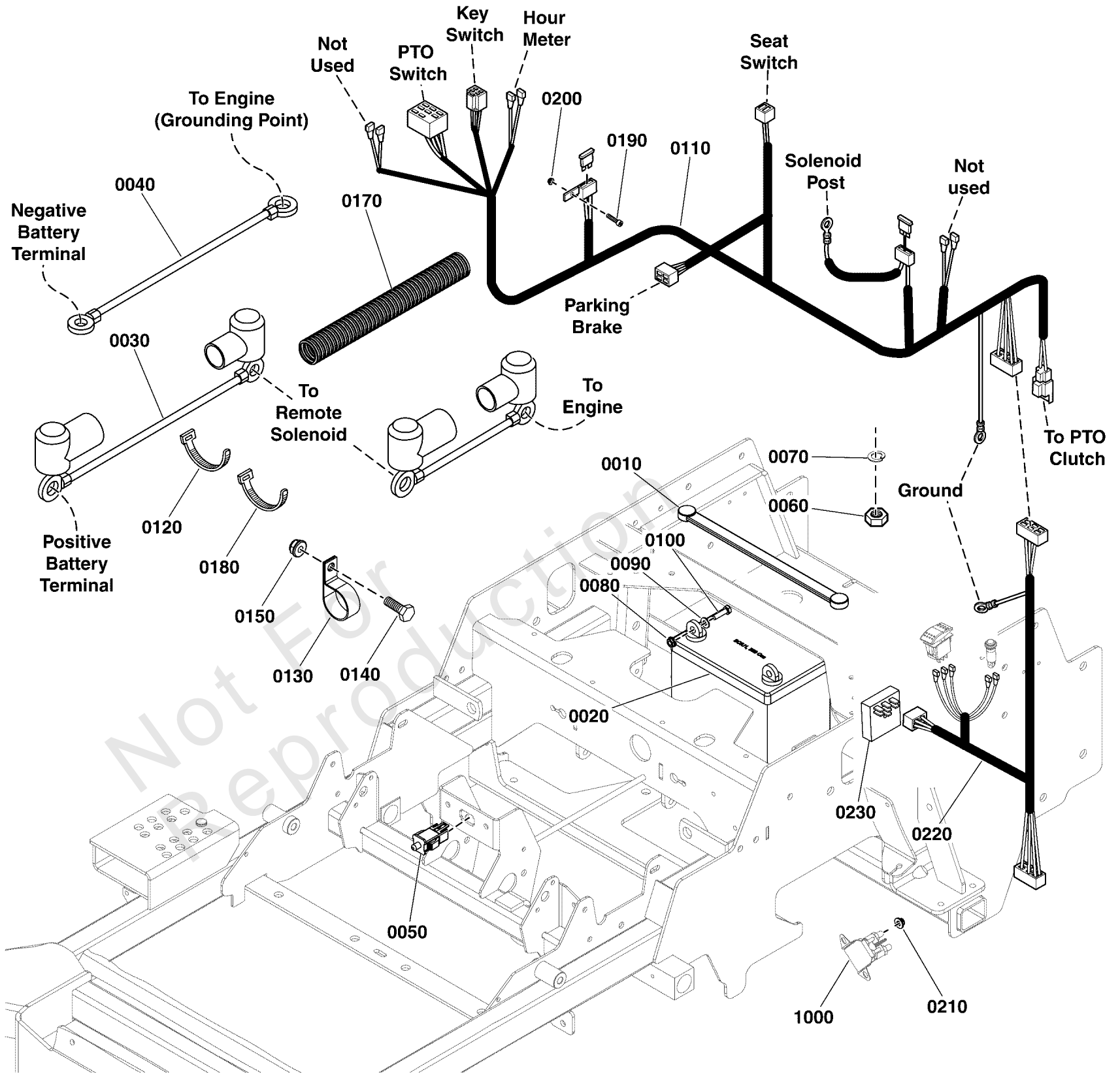
REF NO	PART NO	QTY	DESCRIPTION
0540	5025034SM	1	NUT, 3/8-16 HEX
0550	5044673SM	4	SPACER, .52 X 1.00 X
0570	5025203X6SM	1	PIN - COTTER

Not For Reproduction

Electrical Group

Note: Unless noted otherwise, use the standard torque specifications

Mfg. No: 5901984



Electrical Group

REF NO	PART NO	QTY	DESCRIPTION
0010	1722009SM	1	STRAP, Rubber, 13"
0020	-----	1	BATTERY, 11U1L, 350 CCA -(Refer to Note: *)
0030	5021405SM	1	BATTERY CABLE, POSITI
0040	5047690SM	1	BATTERY CABLE
0050	7022886YP	1	SWITCH, DP NO/NC SNAP
0060	703331	2	NUT, 5/16-24
0070	5023217SM	2	WASHER, 5/16 LIGHT LO
0080	703233	3	NUT, 1/4-20, GR5
0090	703332	4	WASHER
0100	5025010X6SM	2	BOLT, 1/4-20 X 3/4" G
0110	84002031	1	HARNESS, Wiring
0120	5021029SM	8	TIE, Cable 11" Long
0130	5021500SM	3	CLAMP, VINYL INSULATED, 1.00
0140	703338	3	BOLT, 1/4-20X5/8
0150	703463	5	NUT, GR5, 1/4-20
0170	5050927X18YP	2	WIRE LOOM, 3/8 ID X 18 IN
0180	5021030SM	3	TIE WRAP, 5-1/2" LONG
0190	5025179X6SM	2	SCREW - #10-24
0200	703412	2	NUT, NYLOCK, 10-24
0210	703061	1	NUT, HEX KEPS, 1/4-20
0220	84006567	1	HARNESS, Jumper
0230	84006408	1	MODULE, Throttle Control
1000	-----	0	Refer to: Engine & PTO Group

Footnotes:

Note: * Not for sale. Obtain locally.

Electrical Schematic - Charging Circuit

REF NO	PART NO	QTY	DESCRIPTION
5107433	84002031	1	HARNESS, Wiring
5108058	84006567	1	HARNESS, Jumper

Not For Reproduction

Electrical Schematic - Cranking Circuit

REF NO	PART NO	QTY	DESCRIPTION
5107433	84002031	1	HARNESS, Wiring
5108058	84006567	1	HARNESS, Jumper

Not For Reproduction

Electrical Schematic - Ign. Ground Circuit/Op Pres.

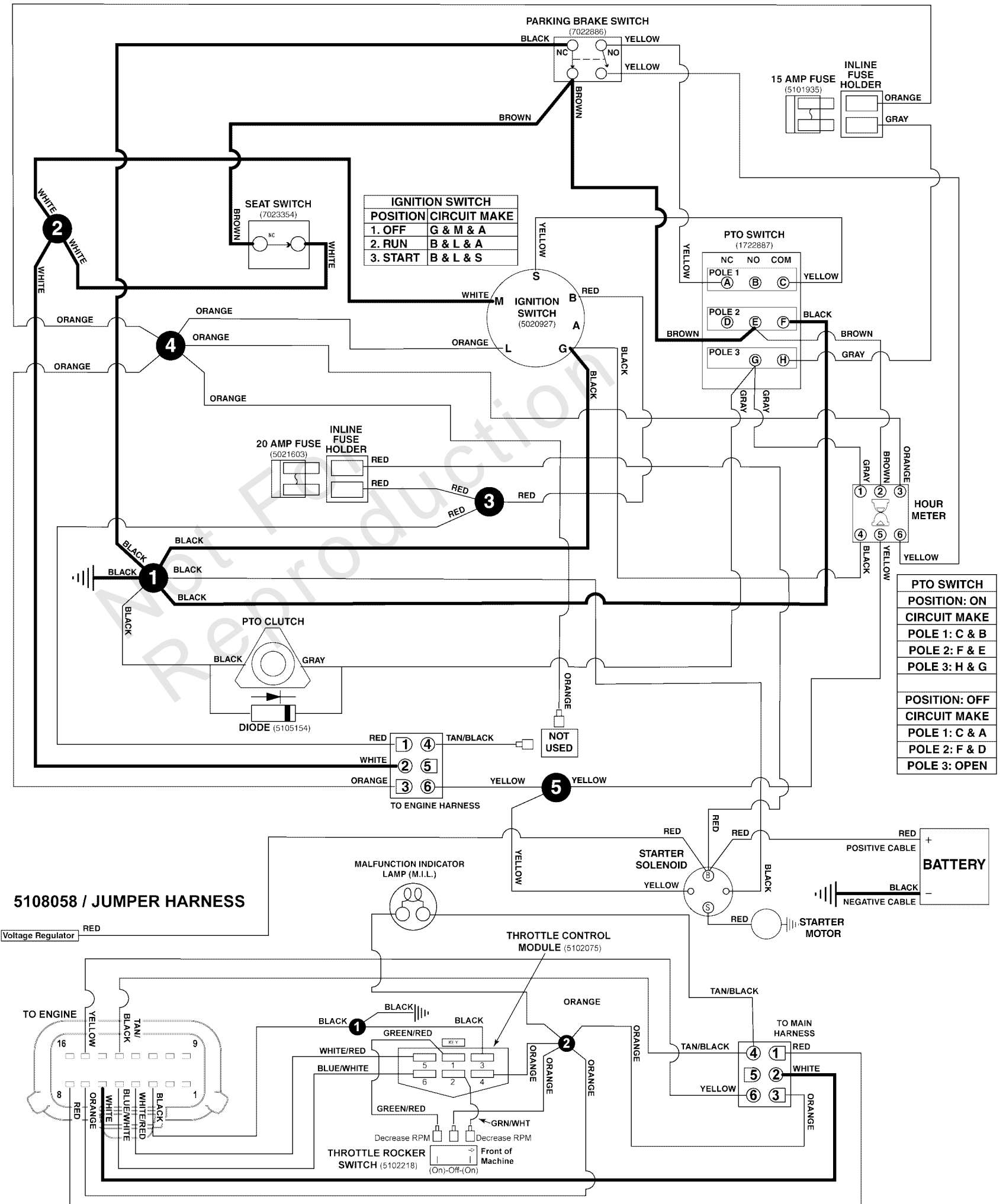
Note: Unless noted otherwise, use the standard torque specifications

Mfg. No: 5901984

5107433 MAIN WIRE HARNESS - BRIGGS & STRATTON 49X977 ENGINES

5107433B

(If internal schematic of the switch is not shown, the image of the switch represents the back view of the connector as it is connected to the switch.)



Electrical Schematic - Ign. Ground Circuit/Op Pres.

REF NO	PART NO	QTY	DESCRIPTION
5107433	84002031	1	HARNESS, Wiring
5108058	84006567	1	HARNESS, Jumper

Not For Reproduction

Electrical Schematic - PTO Clutch Circuit

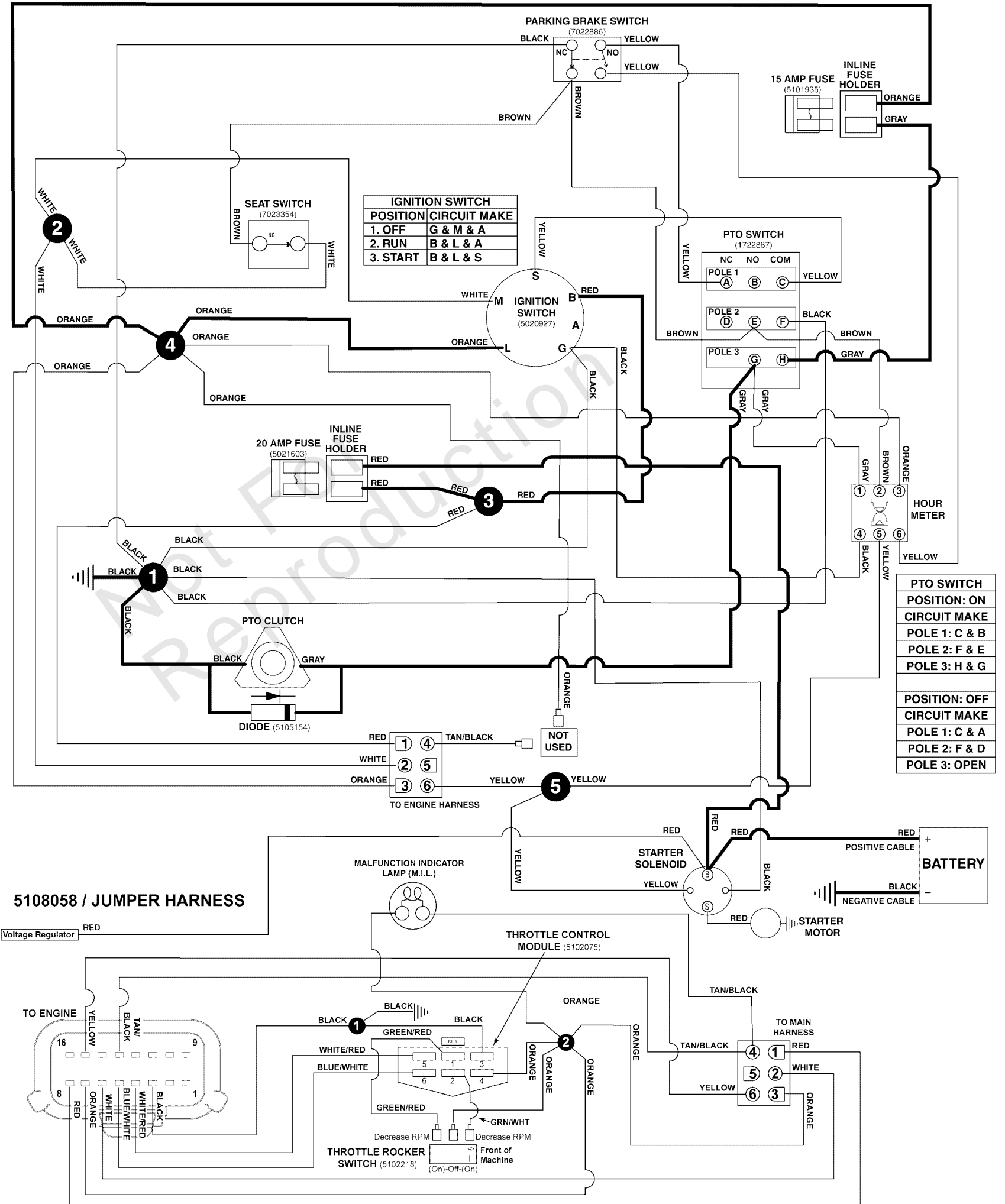
Note: Unless noted otherwise, use the standard torque specifications

Mfg. No: 5901984

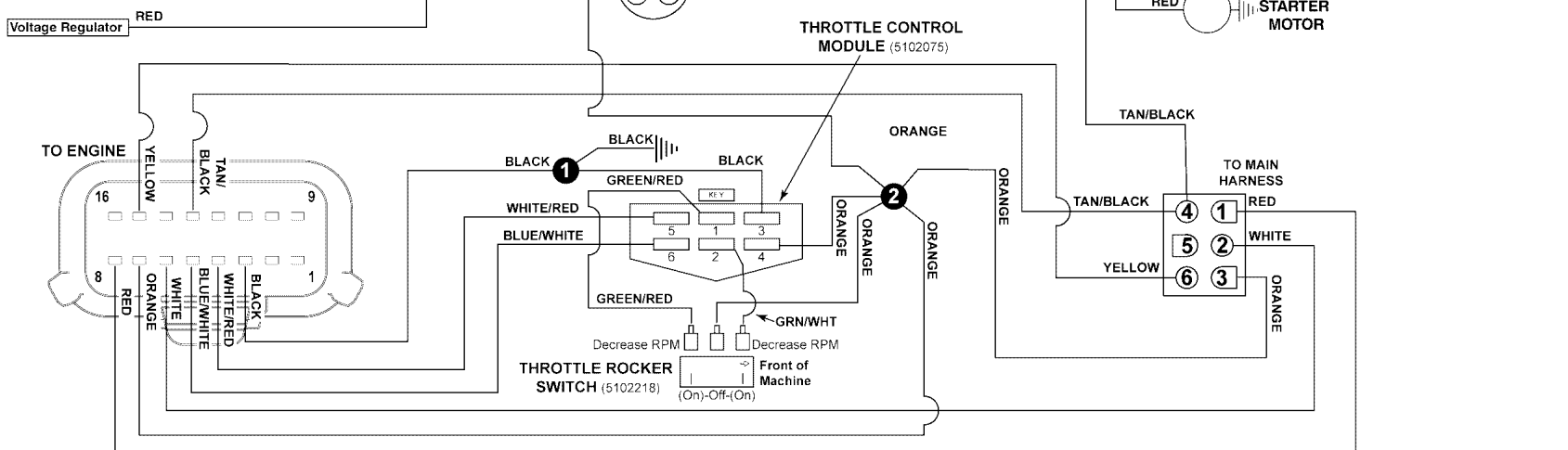
5107433 MAIN WIRE HARNESS - BRIGGS & STRATTON 49X977 ENGINES

5107433B

(If internal schematic of the switch is not shown, the image of the switch represents the back view of the connector as it is connected to the switch.)



5108058 / JUMPER HARNESS



Electrical Schematic - PTO Clutch Circuit

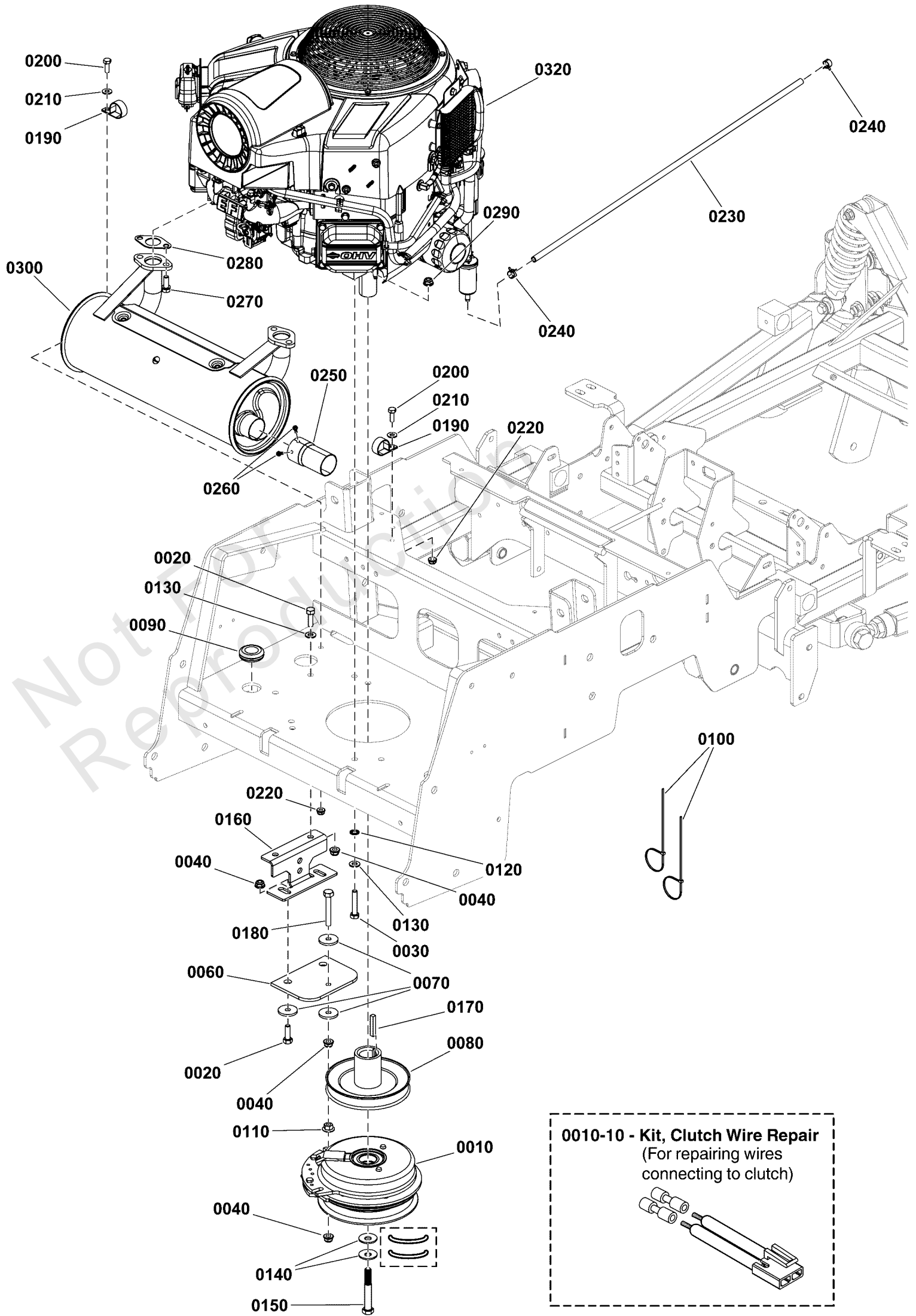
REF NO	PART NO	QTY	DESCRIPTION
5107433	84002031	1	HARNESS, Wiring
5108058	84006567	1	HARNESS, Jumper

Not For Reproduction

Engine and PTO Group

Note: Unless noted otherwise, use the standard torque specifications

Mfg. No: 5901984



Engine and PTO Group

REF NO	PART NO	QTY	DESCRIPTION
0010	5105090YP	1	CLUTCH
0010-10	5600575YP	1	KIT, CLUTCH WIRE REPAIR
0020	703570	4	CAPSCREW, Hex Head, 5/16-18 x 1 1/4
0030	5025025X14YP	4	BOLT -(Torque engine mounting bolts to 50 ft-lbs (23 Nm))
0040	703115	6	NUT
0060	5043636SM	1	CLUTCH ANCHOR PAD
0070	5044617SM	4	WASHER, .34 X 1.25 X
0080	5105108YP	1	PULLEY-CRANKSHAFT
0090	5021379SM	1	GROMMET, 7/8
0100	5101492YP	2	TIE, SELF-LOCKING, 24"
0110	5025139SM	1	NUT, 5/16-18 HEX SERR
0120	5025188SM	4	WASHER, 5/16" INT. TO
0130	703350	6	WASHER
0140	5025585YP	2	BELLEVILLE WASHER
0150	5102866YP	1	BOLT, CRANKSHAFT, 7/1 -(Torque crankshaft mounting bolt to 65 ft-lbs (88 Nm))
0160	5410367AYP	1	ANCHOR, CLUTCH
0170	5022726YP	1	KEY 1/4 SQ X 1 1/2
0180	5025055X18YP	1	BOLT, 5/16-18 X 2-1/4
0190	5021500SM	3	CLAMP, VINYL INSULATED, 1.00
0200	5025010X6SM	3	BOLT, 1/4-20 X 3/4" G
0210	703332	5	WASHER
0220	703463	5	NUT, GR5, 1/4-20
0230	5050831X29SM	1	HOSE, 1/4" FUEL, 29.00"
0240	691038	2	CLAMP, Hose
0250	5104348YP	1	EXTENSION, TAILPIPE
0260	5025470YP	2	SCREW, SELF-TAP, #8-32
0270	690341	4	SCREW
0280	690970	2	GASKET, Exhaust
0290	5025616YP	4	NUT
0300	706900	1	MUFFLER, RIGHT OUTLET
0320	-----	1	ENGINE, Briggs & Stratton, 49X977-0003-G1 -(S/N: 4002060044 & Below)(Refer to Note: *)
0320	-----	1	ENGINE, Briggs & Stratton, 49X977-0005-J1 -(S/N: 4002060045 & Above)(Refer to Note: *)

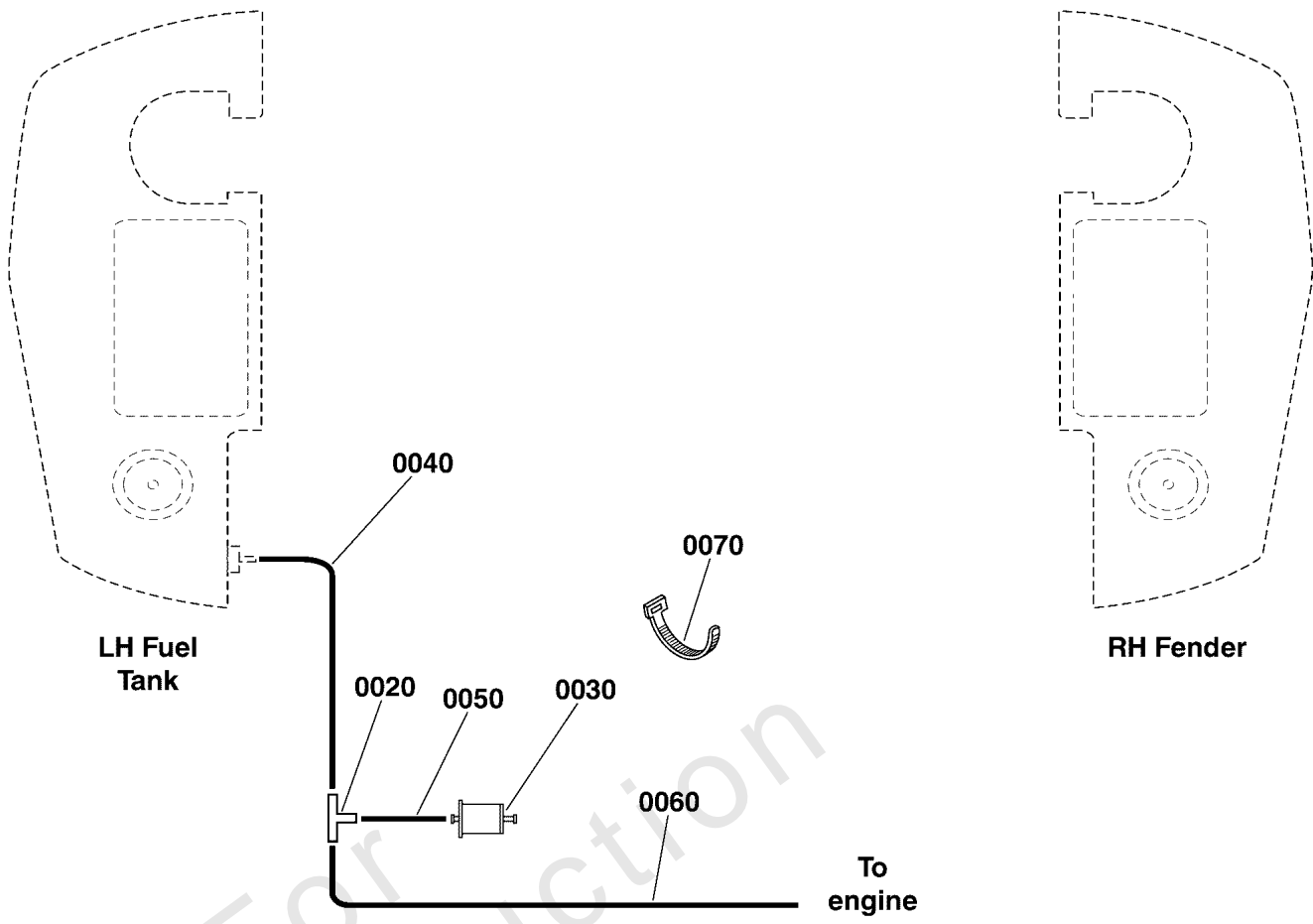
Footnotes:

Note: *See authorized Briggs & Stratton dealer for engine service parts.

Evap Group

Note: Unless noted otherwise, use the standard torque specifications

Mfg. No: 5901984



Not For
Reproduction

Evap Group

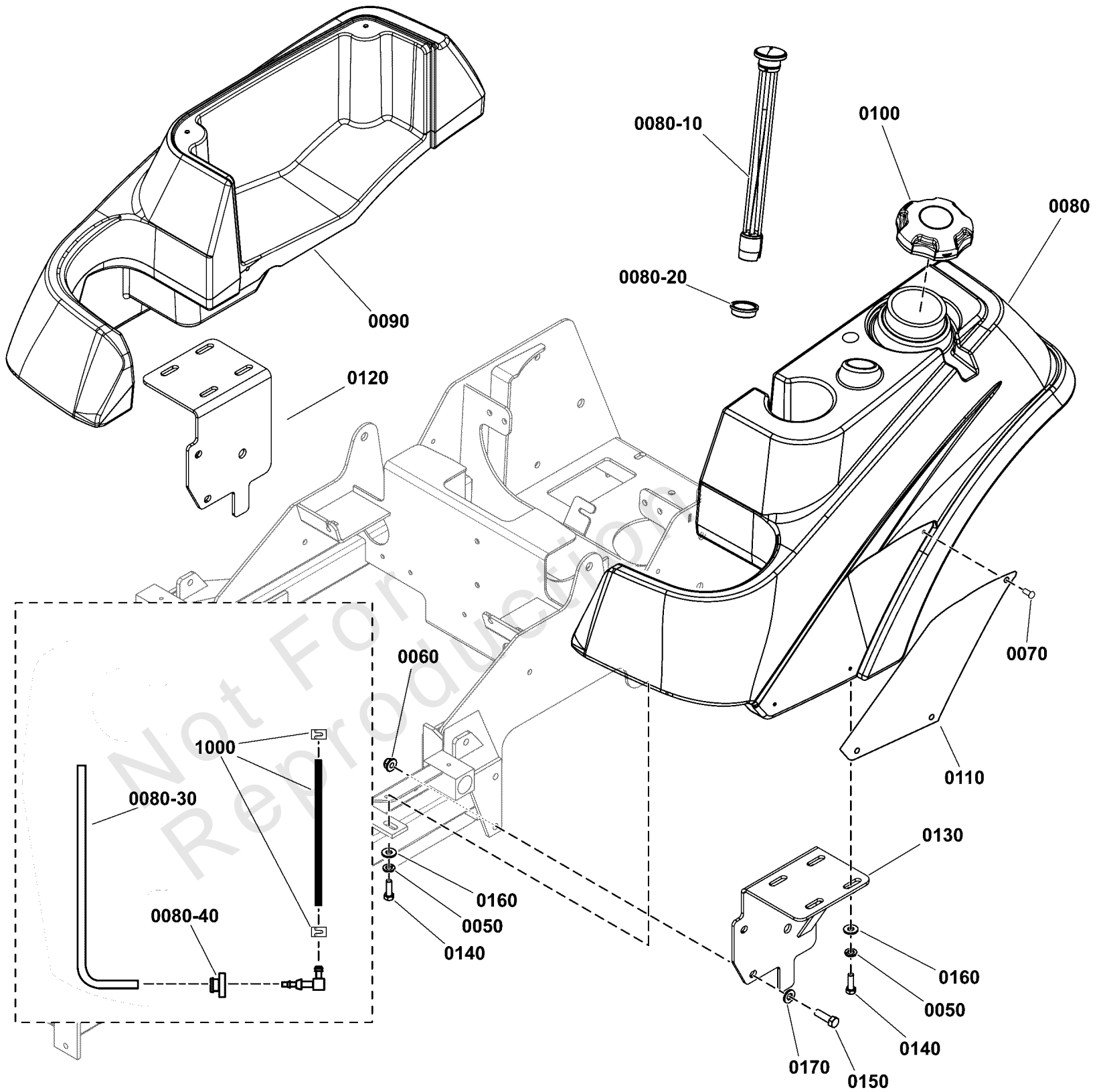
REF NO	PART NO	QTY	DESCRIPTION
0020	5103062YP	1	FITTING, 3/16" TEE, B
0030	84001895	1	FILTER, Fuel
0040	7700552X29YP	1	HOSE, VAPOR, 5MM ID, 29
0050	7700552X12YP	1	HOSE, VAPOR, 5MM ID, 12
0060	7700552X2YP	1	HOSE, VAPOR
0070	5021030SM	3	TIE WRAP, 5-1/2" LONG

Not For Reproduction

Fuel Tank & Mount Group

Note: Unless noted otherwise, use the standard torque specifications

Mfg. No: 5901984



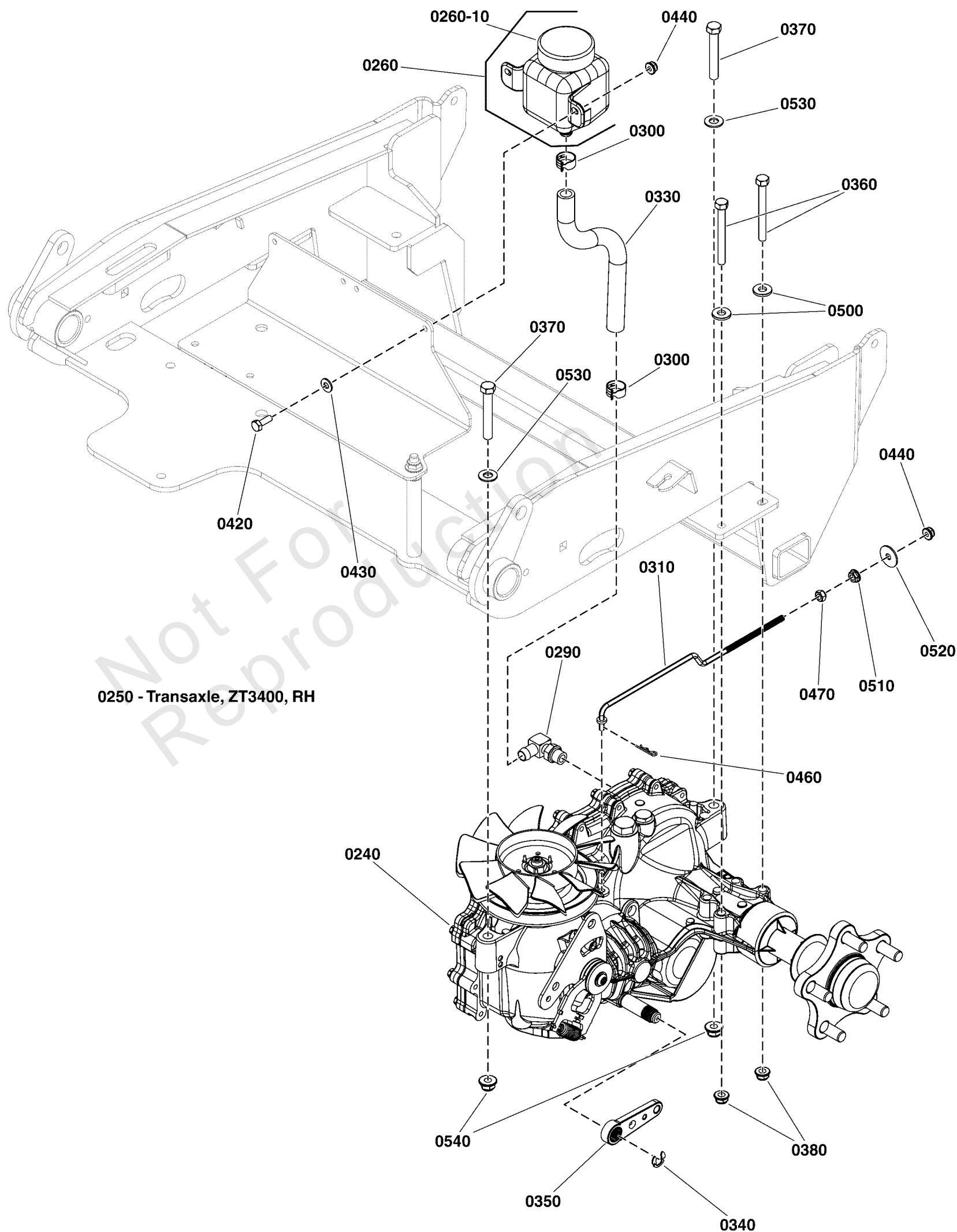
Fuel Tank & Mount Group

REF NO	PART NO	QTY	DESCRIPTION
0050	5025170SM	10	WASHER, 5/16" LOCK
0060	5025394SM	4	NUT, 3/8-16 HEX NYLOCK
0070	5025386SM	6	SCREW, #10-24 X 3/8"
0080	5103176YP	1	TANK, FUEL, LH
0080-10	5022917X1SM	1	GROMMET, FUEL GAUGE
0080-20	5022917SM	1	GAUGE, FUEL, 12
0080-30	5101149SM		HOSE ASSEMBLY
0080-40	1654930SM		BUSHING, Fuel Tank
0090	5049948SM	1	TANK, FUEL, 1500Z - R
0100	84005958	1	CAP, FUEL TANK
0110	5400250CSM	2	BADGE, CITATION, ORANGE
0120	5409854AYP	1	TANK MOUNT, RH
0130	5409856AYP	1	TANK MOUNT, LH
0140	5025011X6SM	10	BOLT, 5/16-18 X 3/4"
0150	5025013X10SM	4	BOLT, 3/8-16 X 1-1/4"
0160	5025292SM	10	WASHER, 5/16" GD.9 FL
0170	5025293SM	4	WASHER, 3/8"
1000	-----	1	Refer to: Engine & PTO Group

Hydraulic Group

Note: Unless noted otherwise, use the standard torque specifications

Mfg. No: 5901984



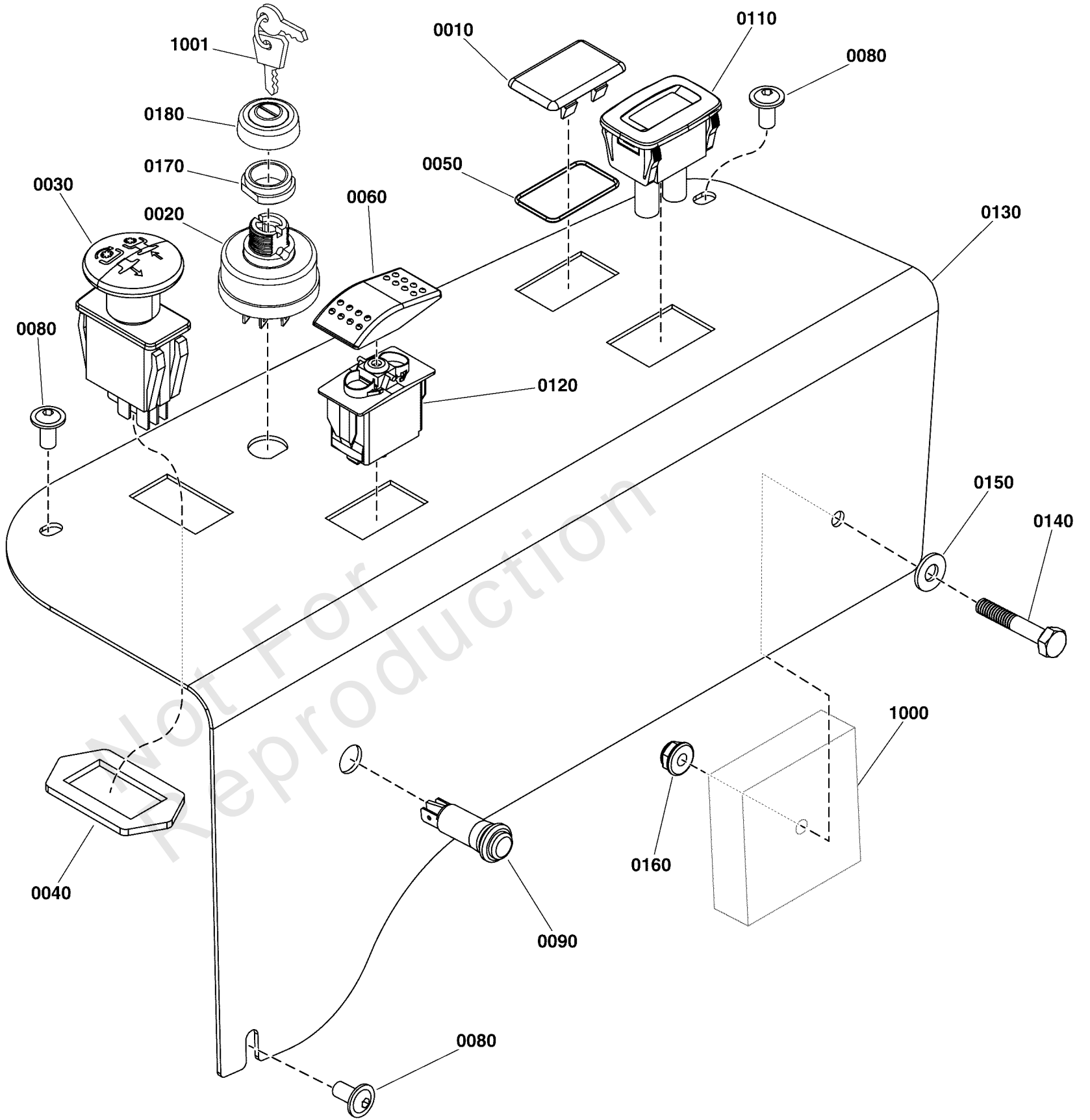
Hydraulic Group

REF NO	PART NO	QTY	DESCRIPTION
0240	84002464	1	TRANSAXLE, ZT3400, LH -(S/N: 40015467047 and below)
0240	84006575	1	TRANSAXLE -(S/N: 40015467048 and above)
0250	84002465	1	TRANSAXLE, ZT3400, RH -(Not illustrated)(S/N: 40015467047 and below)
0250	84006576	1	TRANSAXLE -(Not illustrated)(S/N: 40015467048 and above)
0260	5100473SM	2	RESERVOIR
0260-10	5100778X1YP	2	RESERVIOR CAP (SV) -(One per Tank)
0290	5100370YP	2	FITTING, 9/16
0300	5025474SM	4	CLAMP - HOSE
0310	5103631YP	2	ROD, DUMP VALVE
0330	5050857X9P5YP	2	HOSE, 9.50
0340	5104055YP	2	E-CLIP
0350	5103750YP	2	BRAKE ARM, ZT-3400
0360	5025011X24SM	4	BOLT, 5/16-18 -(Torque transmission mounting bolts to 17-22 ft-lbs (23-30 Nm))
0370	703868	4	SCREW -(Torque transmission mounting bolts to 30-35 ft-lbs (41-47 Nm))
0380	703873	4	CAPSCREW,3/8-16X2.5
0420	5025010X6SM	4	BOLT, 1/4-20 X 3/4" G
0430	703332	4	WASHER
0440	703463	6	NUT, GR5,1/4-20
0460	5025211SM	2	PIN, HAIR, .0585" X 1
0470	5025095SM	2	NUT, 1/4-20 HEX NYLON
0500	5025292SM	4	WASHER, 5/16" GD.9 FL
0510	703233	2	NUT, 1/4-20, GR5
0520	5025288YP	2	WASHER, 1/4 FENDER
0530	703590	4	WASHER, FLAT, .406
0540	5025394SM	4	NUT, 3/8-16 HEX NYLOCK

Instrument Control Panel - Fuel Injected Models with Electronic Throttle Control

Note: Unless noted otherwise, use the standard torque specifications

Mfg. No: 5901984



Instrument Control Panel - Fuel Injected Models with Electronic Throttle Control

REF NO	PART NO	QTY	DESCRIPTION
0010	1709188SM	1	PLUG, BLACK PLASTIC
0020	1737853YP	1	SWITCH ASSEMBLY, Ignition Indak No Keys/Hdwr
0030	1722887SM	1	SWITCH-PTO PUSH
0040	5022222SM	1	RING, SWITCH RETAINER
0050	5022269SM	1	O-RING, 7/8" ID X 1/1
0060	84006404	1	SWITCH, ROCKER
0080	84002228	3	SCREW, FLANGE
0090	5103809YP	1	LIGHT, Indicator
0110	-----	1	HOUR METER, 2 CHANNEL -(Refer to Note: *)
0120	84006405	1	BODY, ROCKER SWITCH
0130	84006565	1	PLATE, CONTROL PANEL
0140	5025010X12SM	1	BOLT, 1/4-20
0150	703332	1	WASHER
0160	703463	1	NUT, GR5,1/4-20
0170	847144	1	SET, Washer/Nut
0180	847150	1	CAP, Switch
1000	-----	1	MODULE, Throttle Control (See Electrical Group)
1001	1737836YP	1	KEYS, Ignition

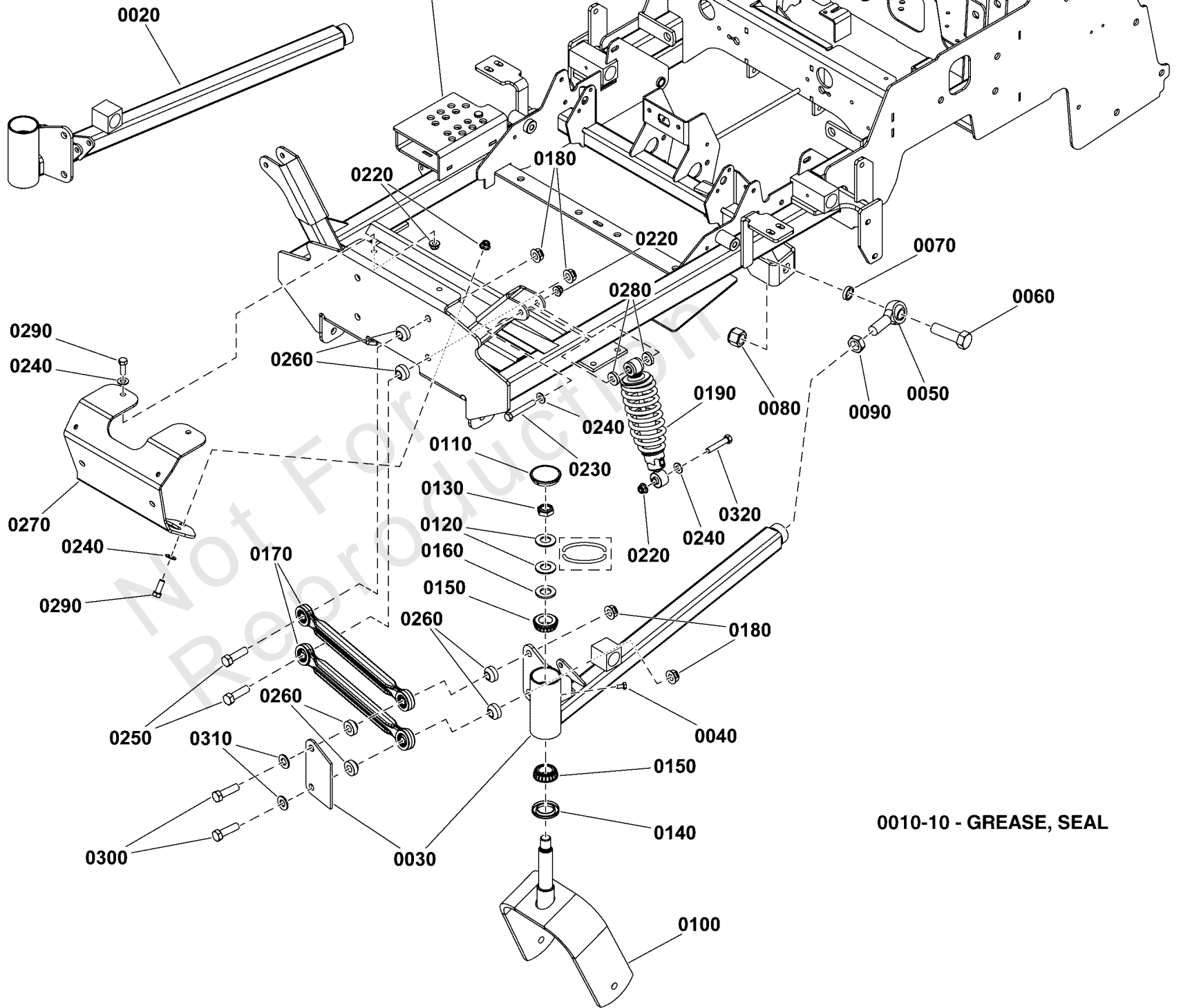
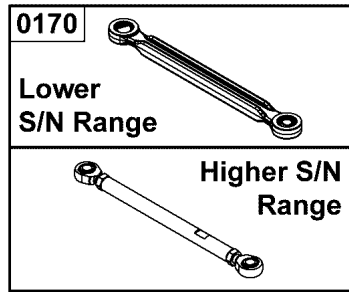
Footnotes:

Note: *When replacing this hour meter, please call our service department at 1-800-933-6175 ext. 709

Main Frame and Front Suspension Group

Note: Unless noted otherwise, use the standard torque specifications

Mfg. No: 5901984



0010-10 - GREASE, SEAL

Main Frame and Front Suspension Group

REF NO	PART NO	QTY	DESCRIPTION
0010	-----	1	WELD, Main Frame, Citation XT - Orange -(Refer to Note: *)
0010-10	5020883SM	4	BEARING CUP
0020	84006559	1	ARM ASSEMBLY (RH)
0030	84006560	1	ARM ASSEMBLY (LH)
0040	5025457SM	2	BOLT - 1/4-28 X 1/2
0050	5022039SM	2	BALL JOINT, 3/4-16, M
0060	5025265X20YP	2	BOLT, 3/4-16 X 2-1/2
0070	5047461SM	2	SPACER, .76 X 1.00 X
0080	5025284SM	2	NUT, 3/4-16 HEX NYLON
0090	5025093SM	2	NUT, 3/4-16 HEX JAM
0100	84003067	2	YOKE, CASTER
0110	5102929YP	2	CAP, LOW PROFILE, STEEL
0120	5025449SM	4	WASHER, BELLEVILLE
0130	5025448SM	2	NUT - 3/4-16 HEX JAM
0140	5021072SM	2	SEAL, GREASE
0150	5020884SM	4	BEARING, TAPERED ROLL
0160	5025160SM	2	WASHER, 3/4" SAE
0170	84002002	4	CONTROL ARM, CAST -(S/N: 4001945662 and Below)
0170	84006986	4	ARM, CONTROL -(S/N: 4001945663 and Above)
0180	84004661	8	LOCKNUT
0190	84001896	2	ABSORBER, SHOCK
0220	5025394SM	8	NUT, 3/8-16 HEX NYLOCK
0230	703873	2	CAPSCREW, 3/8-16X2.5
0240	703590	8	WASHER, FLAT, .406
0250	5025017X16YP	8	BOLT, 1/2-13 X 2 GD5
0260	84004659	8	SPACER -(S/N: 4001945662 and Below)
0260	84006987	8	SPACER -(S/N: 4001945663 and Above)
0270	84006561	1	COVER, Front
0280	84006562	4	SPACER
0290	703407	4	SCREW
0300	5025017X22SM	4	BOLT, 1/2-13 X 2-3/4"
0310	704123	4	WASHER, .531X1.06X.094
0320	703589	2	CAPSCREW, 3/8-16X2

Footnotes:

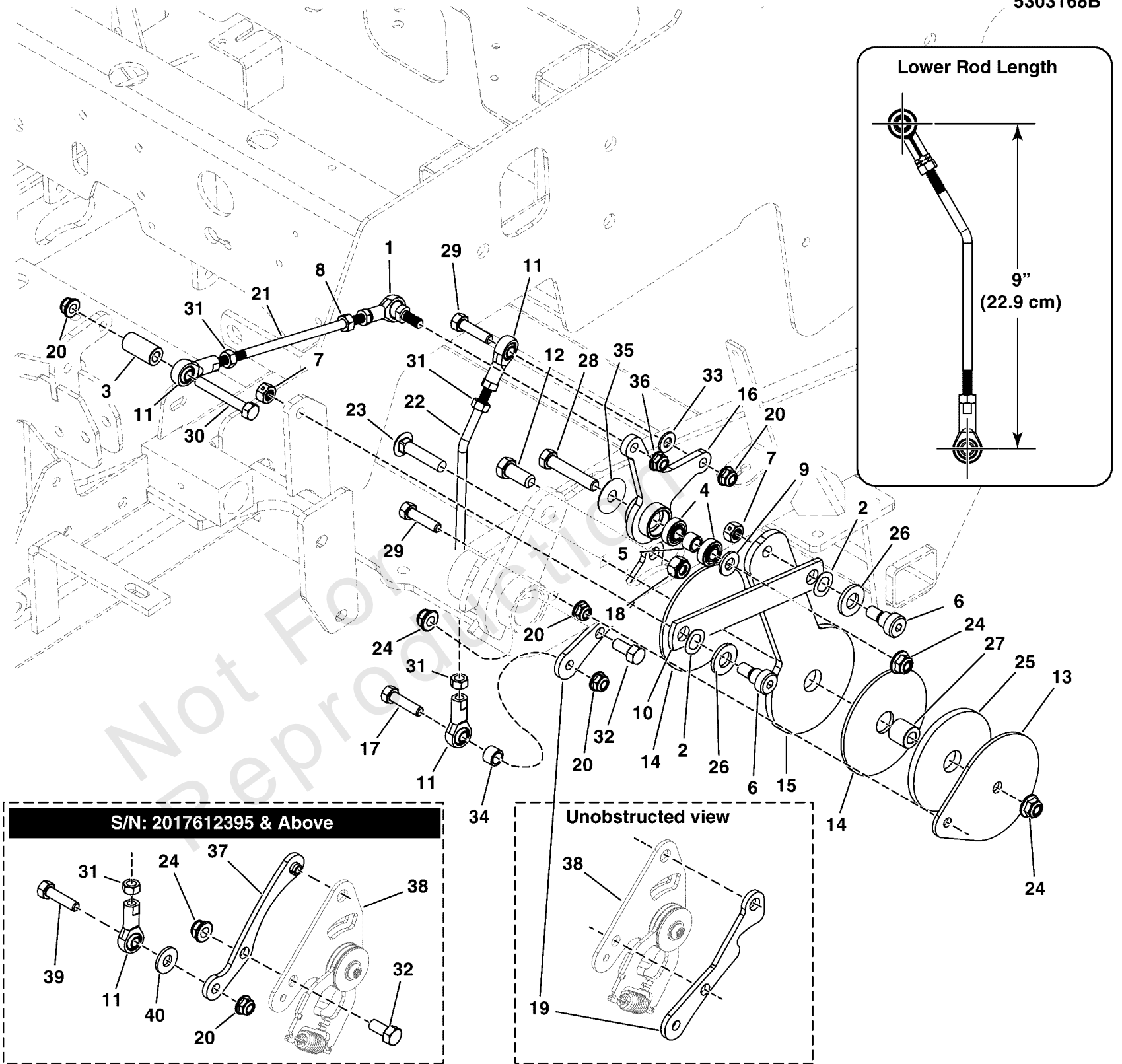
Note: *If replacing contact the Service Department at 1-800-933-6175.

Motion Control Group - Control System

Note: Unless noted otherwise, use the standard torque specifications

Mfg. No: 5901984

5303168B



Motion Control Group - Control System

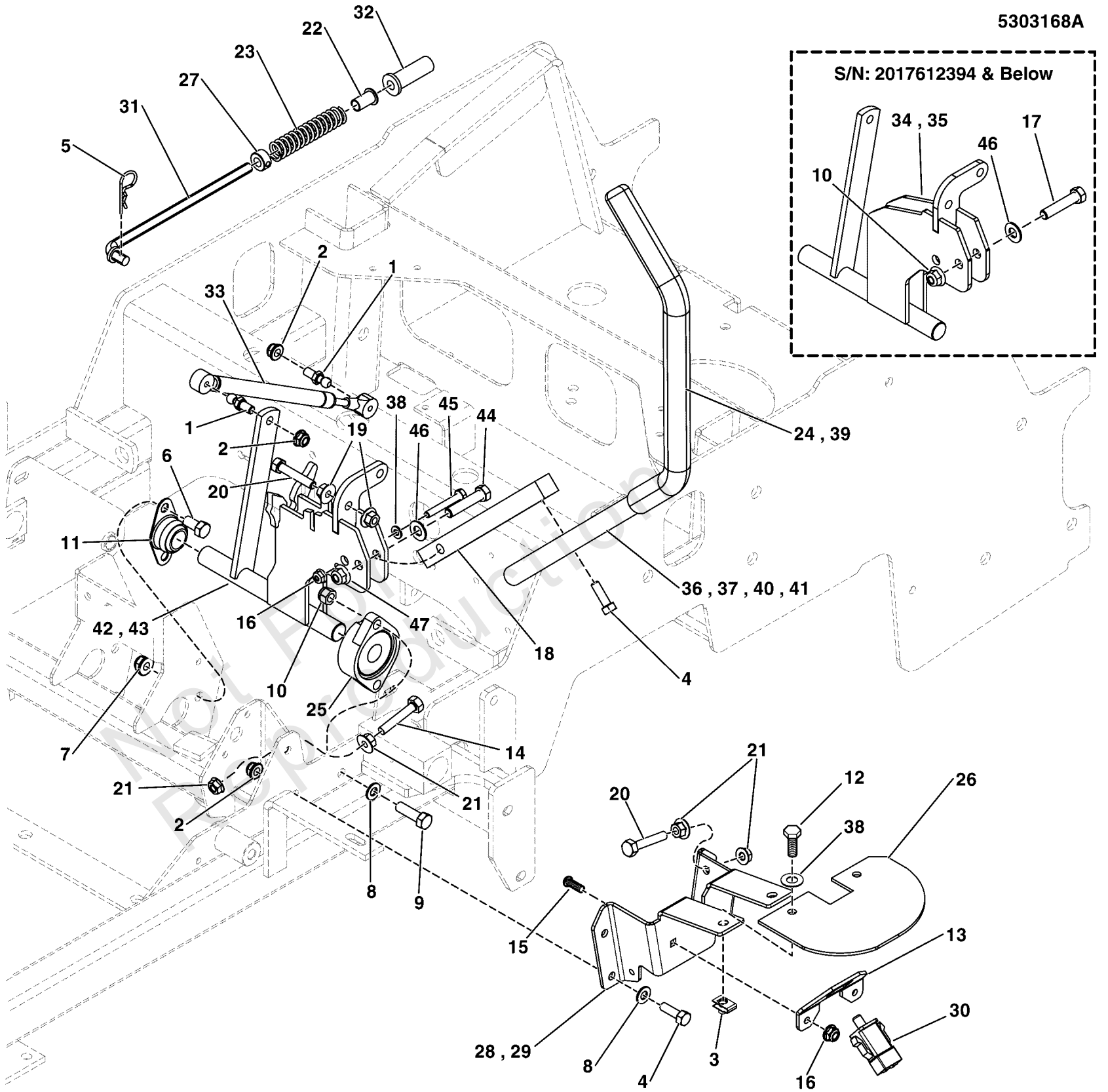
REF NO	PART NO	QTY	DESCRIPTION
1	5104495YP	2	JOINT-BALL
2	5103784YP	4	WAVE WASHER
3	5102599YP	2	SPACER, .33X.63X1.25
4	5102003YP	4	BEARING, .375ID
5	5103676YP	2	SPACER, .39X.55X.38
6	5025356SM	4	BOLT, 3/8-16 X 3/8",
7	5025100SM	4	NUT, 3/8-16 HEX SIDE
8	5023212SM	2	NUT, 5/16-24 HEX, LH
9	5025293SM	2	WASHER, 3/8"
10	5410447AYP	2	LINK, Control
11	5104578YP	6	JOINT-BALL
12	5025015X6SM	2	BOLT, 7/16-14 -(S/N: 2017612394 & Below)
13	5410271AYP	2	PLATE, CTRL SYSTEM LK
14	5103672YP	4	PAD, CONTROL SYSTEM
15	5410268YP	2	PLATE, CTRL SYST ARM
16	5103718YP	2	PIVOT, CONTROL SYSTEM
17	5025055X12SM	2	BOLT, 5/16-18 X 1-1/2
18	5025044SM	2	NUT, 7/16-14 HEX -(S/N: 2017612394 & Below)
19	----	2	REPLACE WITH COMPONENTS IN S/N: 2017612395 & ABOVE RANGE -(S/N: 2017612394 & Below)
20	703115	6	NUT
21	5103759YP	2	ROD, HYDRO LINKAGE
22	5103760YP	2	ROD, CONTROL SYSTEM
23	5025146X12YP	2	BOLT, 3/8-16 X 1-1/2
24	5025394SM	6	NUT, 3/8-16 HEX NYLOCK
25	5103704YP	2	PAD, .77 X 3.50 X .25
26	5025440SM	4	WASHER, 1/2" YELLOW
27	5103705YP	2	SPACER, .39X.75X.69
28	5025013X16SM	2	CAPSCREW, Hex Head, 3/8-16 x 2
29	5025011X10SM	10	CAPSCREW, Hex Head, 5/16-18 X 1-1/4
30	703868	2	SCREW
31	703331	6	NUT, 5/16-24
32	5025013X6SM	2	BOLT, 3/8-16 X 3/4" G
33	5025292SM	2	WASHER, 5/16" GD.9 FL
34	5103767YP	2	SPACER, .33X.625X.360 -(S/N: 2017612394 & Below)
35	5025165SM	2	WASHER, 3/8" FENDER
36	5025045SM	2	NUT, 5/16-24 HEX NYLO
37	5105030YP	2	ARM-CONTROL -(S/N: 2017612395 & Above)
38	----	0	TRANSAXLE CONTROL ARM (PART OF TRANSAXLE)
39	5025011X10SM	2	CAPSCREW, Hex Head, 5/16-18 X 1-1/4 -(S/N: 2017612395 & Above)
40	703302	2	WASHER, 5/16 -(S/N: 2017612395 & Above)

Motion Control Group - Handles & Dampeners S/N: 4001938725 and Below

Note: Unless noted otherwise, use the standard torque specifications

Mfg. No: 5901984

5303168A



Motion Control Group - Handles & Dampeners S/N: 4001938725 and Below

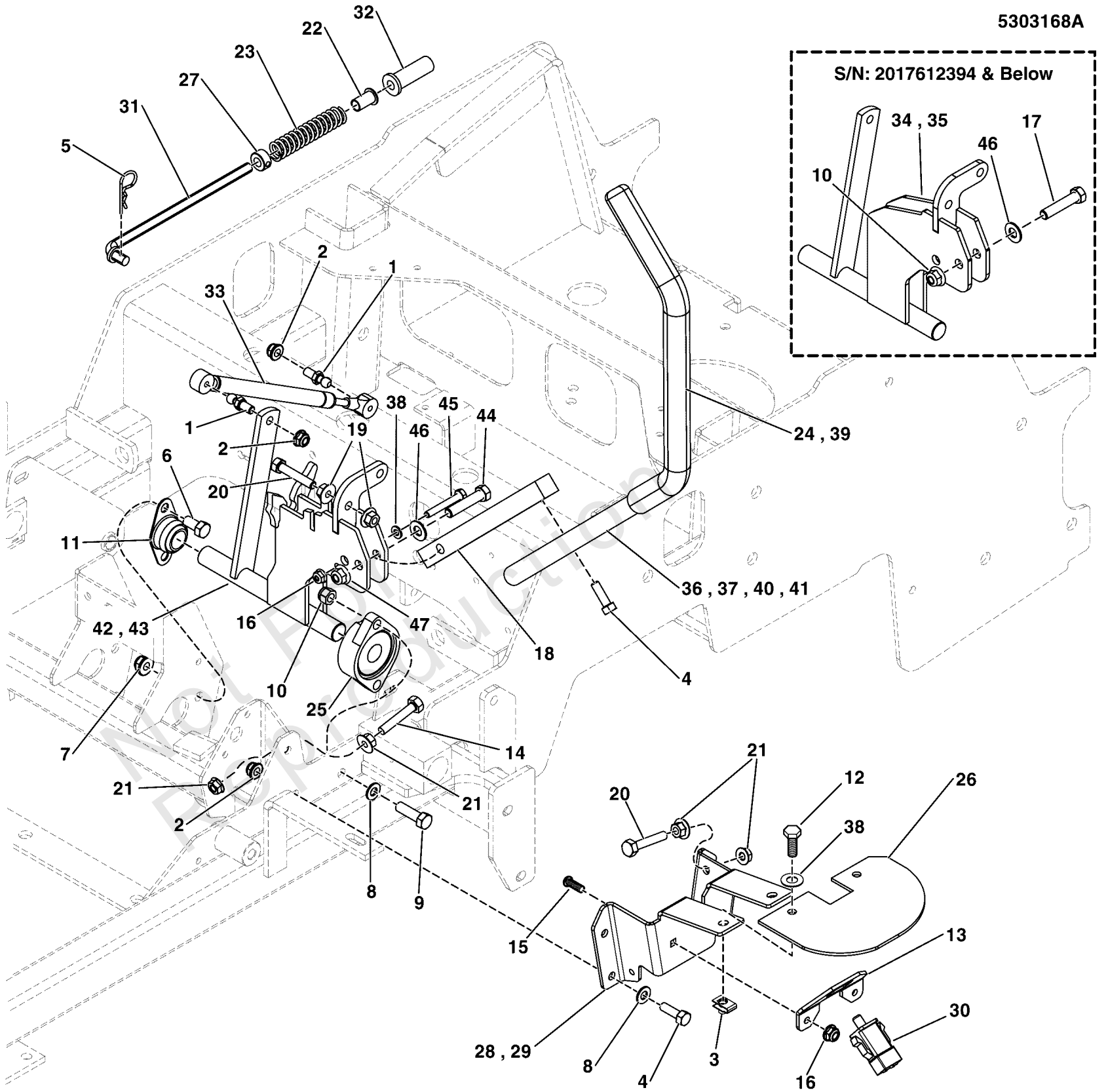
REF NO	PART NO	QTY	DESCRIPTION
1	5101307SM	4	10MM BALL STUD, 5/16-
2	703115	14	NUT
3	5022665SM	4	BODY CLIP, 1/4-20 X 1
4	1930591SM	4	SCREW-HEX WZ LOCK FLNG 5/16-18X0.750BLK
5	5025210YP	2	PIN, HAIR, .0915 X 1-7/8
6	5025013X6SM	6	BOLT, 3/8-16 X 3/4" G
7	5025394SM	8	NUT, 3/8-16 HEX NYLOCK
8	703302	12	WASHER, 5/16
9	5025013X10SM	4	BOLT, 3/8-16 X 1-1/4"
10	5025096SM	4	NUT, 3/8-16 HEX NYLON
11	5021098SM	2	BEARING, BRONZE FLANG
12	5025010X6SM	4	BOLT, 1/4-20 X 3/4" G
13	5409984AYP	2	BRACKET, SWITCH MOUNT -(S/N: 2017612394 & Below)
14	5025055X12SM	2	BOLT, 5/16-18 X 1-1/2
15	703101	4	BOLT, 1/4-20X.75 -(S/N: 2017612394 & Below)
16	703463	6	NUT, GR5, 1/4-20 -(Qty: 4 - S/N: 2017612394 & Below)
17	5025013X14SM	4	BOLT, 3/8-16 X 1-3/4" -(S/N: 2017612394 & Below)
18	5047004AYP	2	MOUNT, CONTROL ARM -(S/N: 4000906410 and below)
18	5103106AYP	2	MOUNT, CONTROL ARM - -(S/N: 4000906411 and above)
19	5025139SM	4	NUT, 5/16-18 HEX SERR
20	5025055X14SM	4	BOLT, 5/16-18 X 1-3/4
21	5025127SM	8	NUT, 5/16-18 HEX SERR
22	5023260SM	2	BUSHING, NYLON
23	5022645SM	2	SPRING, REVERSE RETUR
24	5022068SM	2	GRIP, FOAM, 3/4" ID, -(S/N: 2017499983 & Below)
25	5021499SM	2	BEARING, FLANGE
26	5410610AYP	2	PLATE, NEUTRAL LOCK
27	5010546SM	2	COLLAR, 3/8" SET
28	5409982AYP	1	PLATE, NEUTRAL LK, LH
29	5409983AYP	1	LOCK, Neutral, RH -(Not Illustrated)
30	-----	2	SEE ELECTRICAL GROUP -(S/N: 2017612394 & Below)
31	5100947SM	2	ROD, NEUTRAL
32	5104375YP	2	BUSHING, FLANGED, 3/8
33	5100940SM	2	DAMPNER, CONTROL
34	5410103AYP	1	CONTROL SHAFT, RH -(S/N: 2017612394 & Below)(Not illustrated)
35	5410102AYP	1	CONTROL SHAFT, LH -(S/N: 2017612394 & Below)
36	5400637AYP	1	WELD, HANDLE MOTION CONTROL RH - BLK -(S/N: 2017499983 & Below)(Not illustrated)
37	5400636AYP	1	WELD, HANDLE MOTION CONTROL LH - BLK -(S/N: 2017499983 & Below)
38	703332	6	WASHER -(Qty: 4 - S/N: 2017612394 & Below)
39	5104722YP	2	GRIP, FOAM, 1" ID, 16" LONG -(S/N: 2017499984 & Above)

Motion Control Group - Handles & Dampeners S/N: 4001938725 and Below

Note: Unless noted otherwise, use the standard torque specifications

Mfg. No: 5901984

5303168A



Motion Control Group - Handles & Dampeners S/N: 4001938725 and Below

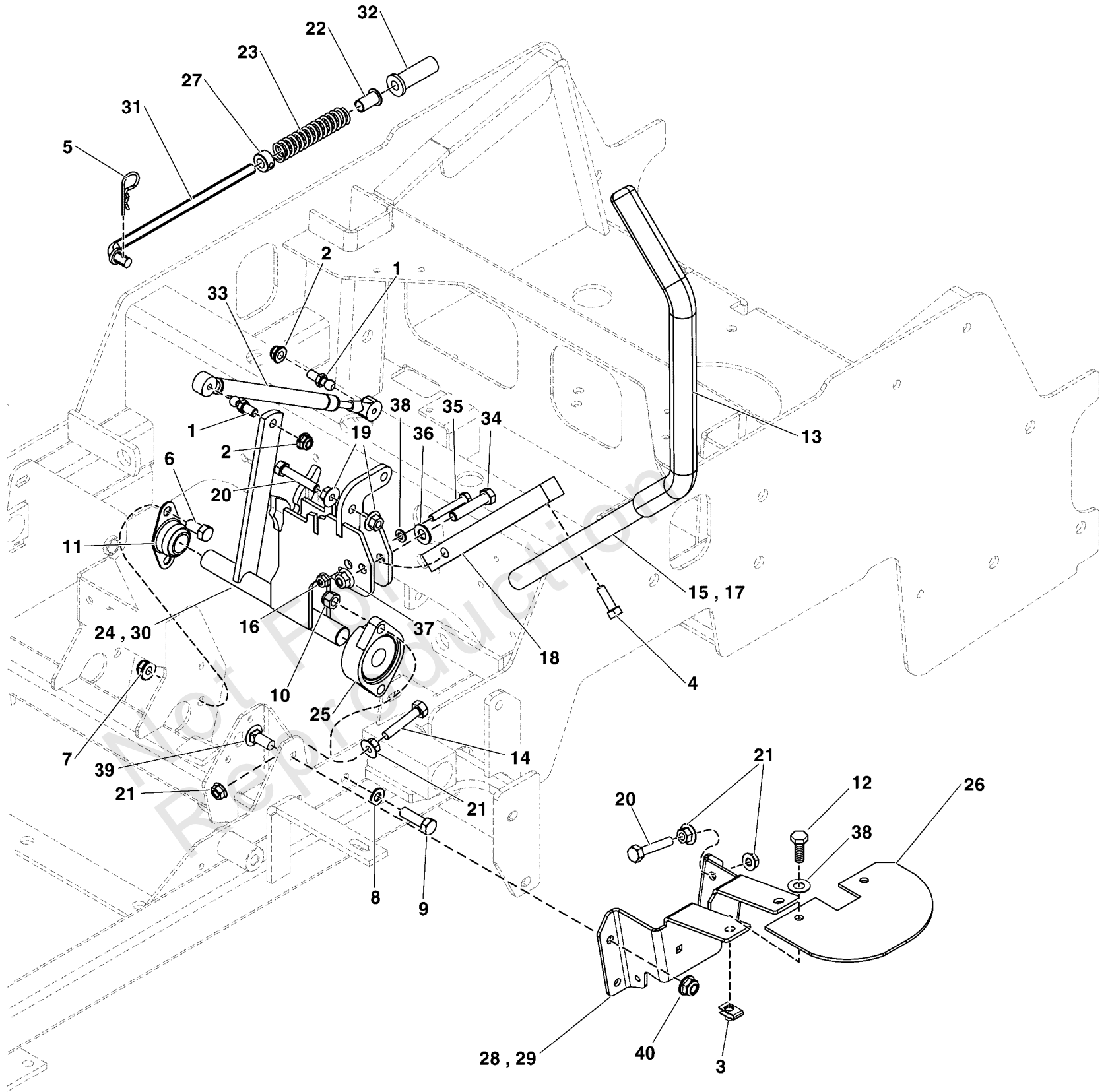
REF NO	PART NO	QTY	DESCRIPTION
40	5414431AYP	1	WELD,HANDLE MOTION CNTRL,19.0,1.0,LH,BLK -(S/N: 2017499984 & Above)
41	5414432AYP	1	WELD,HANDLE MOTION CNTRL,19.0,1.0,RH,BLK -(S/N: 2017499984 & Above)(Not illustrated)
42	5416663AYP	1	SHAFT-CONTROL -(S/N: 2017612395 & Above)
43	5416664AYP	1	SHAFT-CONTROL -(S/N: 2017612395 & Above)(Not illustrated)
44	5025013X14SM	2	BOLT, 3/8-16 X 1-3/4" -(S/N: 2017612395 & Above)
45	5025010X14SM	2	BOLT, 1/4-20 X 1-3/4" -(S/N: 2017612395 & Above)
46	703590	2	WASHER, FLAT, .406 -(Qty: 4 - S/N: 2017612394 & Below)
47	5025396SM	2	NUT, 3/8-16 HEX NYLOCK FLANGE -(Qty: 4 - S/N: 2017612395 & Above)

Not For Reproduction

Motion Control Group - Handles & Dampeners S/N: 4001938726 and Above

Note: Unless noted otherwise, use the standard torque specifications

Mfg. No: 5901984



Motion Control Group - Handles & Dampeners S/N: 4001938726 and Above

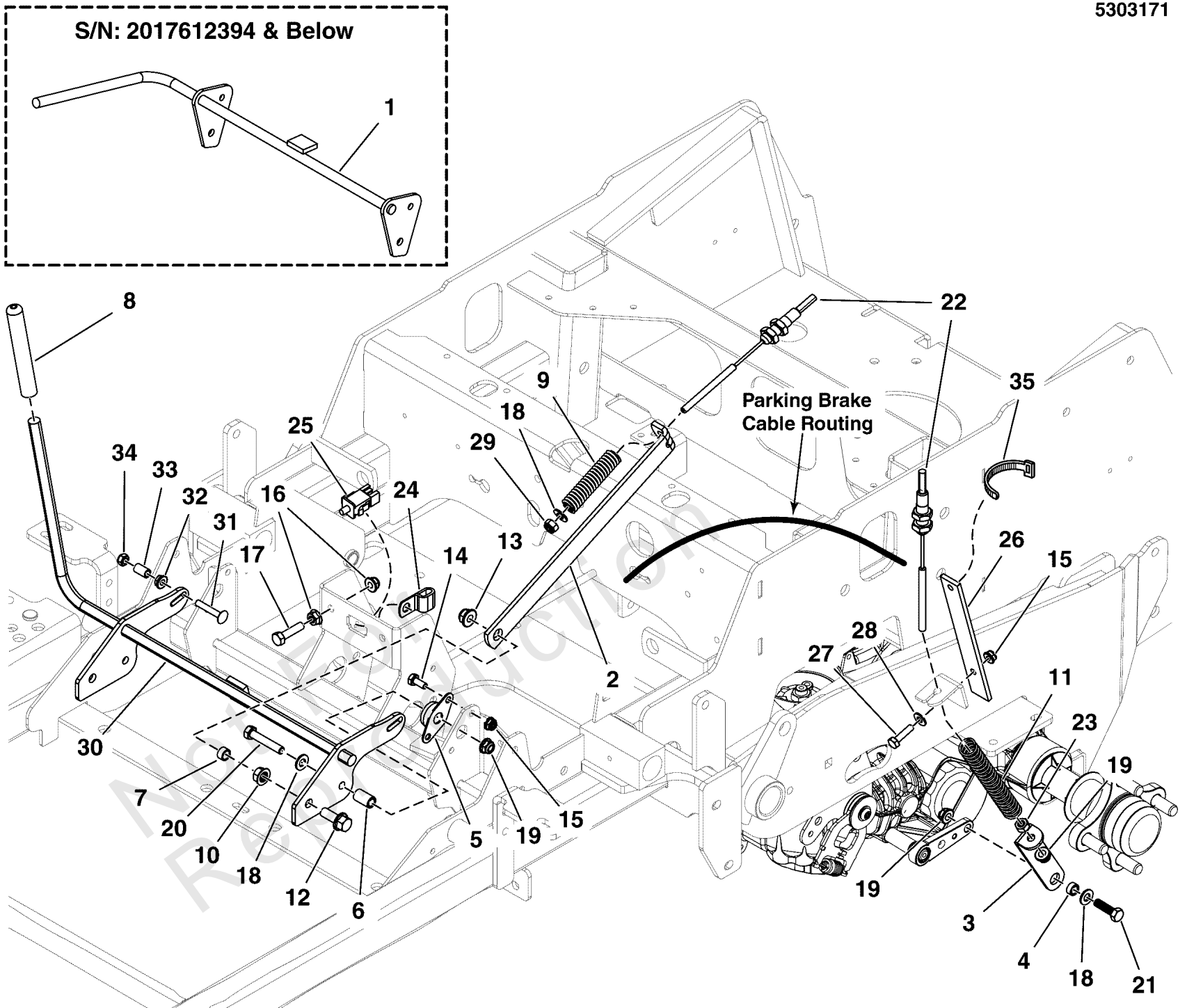
REF NO	PART NO	QTY	DESCRIPTION
1	5101307SM	4	10MM BALL STUD, 5/16-
2	703115	12	NUT
3	5022665SM	4	BODY CLIP, 1/4-20 X 1
4	703354	4	SCREW, 5/16-18
5	5025210YP	2	PIN, HAIR, .0915 X 1-7/8
6	5025013X6SM	4	BOLT, 3/8-16 X 3/4" G
7	5025394SM	6	NUT, 3/8-16 HEX NYLOCK
8	703302	4	WASHER, 5/16
9	5025327SM	4	BOLT, 3/8-16 X 1-1/4
10	5025096SM	4	NUT, 3/8-16 HEX NYLON
11	5021098SM	2	BEARING, BRONZE FLANG
12	5025010X6SM	4	BOLT, 1/4-20 X 3/4" G
13	5104722YP	2	GRIP, FOAM, 1" ID, 16" LONG
14	5025055X10YP	2	BOLT, 5/16-18 X 1-1/4
15	84004629	1	CONTROL, HANDLE
16	703463	6	NUT, GR5, 1/4-20
17	84004630	1	CONTROL, HANDLE
18	5103106AYP	2	MOUNT, CONTROL ARM -
19	5025139SM	4	NUT, 5/16-18 HEX SERR
20	5025055X14SM	2	BOLT, 5/16-18 X 1-3/4
21	5025127SM	8	NUT, 5/16-18 HEX SERR
22	5023260SM	2	BUSHING, NYLON
23	5022645SM	2	SPRING, REVERSE RETUR
24	5416663AYP	1	SHAFT-CONTROL
25	5021499SM	2	BEARING, FLANGE
26	5410610AYP	2	PLATE, NEUTRAL LOCK
27	5010546SM	2	COLLAR, 3/8" SET
28	5409982AYP	1	PLATE, NEUTRAL LK, LH
29	5409983AYP	1	LOCK, Neutral, RH
30	5416664AYP	1	SHAFT-CONTROL
31	5100947SM	2	ROD, NEUTRAL
32	5104375YP	2	BUSHING, FLANGED, 3/8
33	5100940SM	2	DAMPNER, CONTROL
34	5025013X14SM	2	BOLT, 3/8-16 X 1-3/4"
35	5025010X14SM	2	BOLT, 1/4-20 X 1-3/4"
36	703590	2	WASHER, FLAT, .406
37	703158	4	NUT, Hex Flange, 3/8-16
38	703332	6	WASHER
39	5025145X6SM	4	BOLT, 5/16-18 X 3/4",
40	703331	4	NUT, 5/16-24

Parking Brake Group (5303171)

Note: Unless noted otherwise, use the standard torque specifications

Mfg. No: 5901984

5303171



Parking Brake Group (5303171)

REF NO	PART NO	QTY	DESCRIPTION
1	5410216AYP	1	BRAKE SHAFT
2	5410328AYP	2	LINK, BRAKE LOCK
3	5410294AYP	2	LINK, LOWER BRAKE
4	5102463YP	2	SPACER, .33 X .50X.25
5	5101123SM	2	BEARING, 1/2 FLANGE
6	5103660YP	2	SPACER, .32X.50 X.83
7	5041930SM	2	SPACER, .38 X .50 X .
8	5021880SM	1	GRIP, FOAM
9	5023242SM	2	SPRING, CONTROL ROD
10	5025128SM	2	NUT, 3/8-16 HEX SERRA
11	5021494SM	2	SPRING, COMPRESSION,
12	5025390X12YP	2	BOLT
13	5025394SM	2	NUT, 3/8-16 HEX NYLOCK
14	703338	4	BOLT,1/4-20X5/8
15	703463	6	NUT, GR5,1/4-20
16	5025127SM	2	NUT, 5/16-18 HEX SERR
17	5025011X10SM	1	BOLT, 5/16-18 X 1-1/4 GD5 YZ
18	703302	6	WASHER, 5/16
19	703115	6	NUT
20	5025011X14SM	2	BOLT, 5/16-18 X 1-3/4
21	5025011X9SM	2	BOLT, 5/16-18 X 1-1/8
22	5104276YP	2	CABLE,PARKING BRAKE
23	5025032SM	2	NUT, 5/16-18 HEX
24	5025430SM	1	CLAMP, 5/16, DOUBLE, WIRE & TUBE -(For stowing the spanner wrench.)
25	7022886YP	1	SWITCH, DP NO/NC SNAP
26	5410734AYP	2	BRACKET, CABLE SUPPORT - BLK
27	5025010X6SM	2	BOLT, 1/4-20 X 3/4" G
28	703332	2	WASHER
29	5025045SM	2	NUT, 5/16-24 HEX NYLO
30	5415910AYP	1	BRAKE SHAFT -(S/N: 2017612395 & Above)
31	704214	2	BOLT, 1/4-20 X 1.5 -(S/N: 2017612395 & Above)
32	703233	2	NUT, 1/4-20, GR5 -(S/N: 2017612395 & Above)
33	5041483YP	2	SPACER -(S/N: 2017612395 & Above)
34	5025095SM	2	NUT, 1/4-20 HEX NYLON -(S/N: 2017612395 & Above)
35	5021029SM	2	TIE, Cable 11" Long

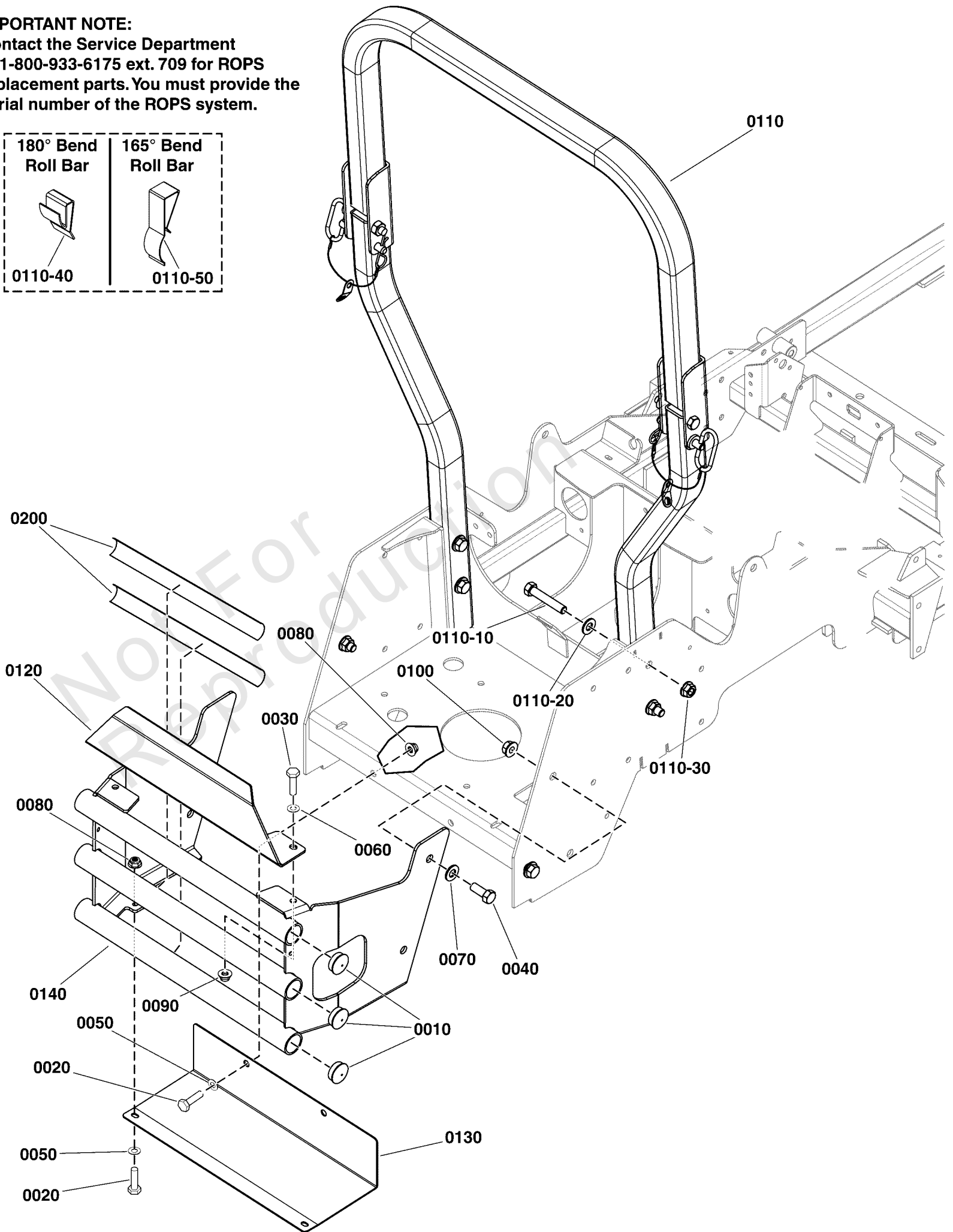
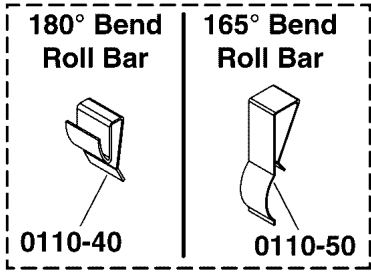
Rear Bumper and ROPS Group

Note: Unless noted otherwise, use the standard torque specifications

Mfg. No: 5901984

IMPORTANT NOTE:

Contact the Service Department at 1-800-933-6175 ext. 709 for ROPS replacement parts. You must provide the serial number of the ROPS system.



Rear Bumper and ROPS Group

REF NO	PART NO	QTY	DESCRIPTION
0010	5023484SM	6	PLUG, PANEL, 1.25 - B
0020	5025011X6SM	4	BOLT, 5/16-18 X 3/4"
0030	5025013X8SM	2	BOLT, 3/8-16 X 1" GD5
0040	5025017X10YP	4	BOLT, 1/2-13 X 1-1/4
0050	703302	4	WASHER, 5/16
0060	703590	2	WASHER, FLAT, .406
0070	5025158SM	4	WASHER, 1/2" SAE
0080	703115	4	NUT
0090	5025394SM	2	NUT, 3/8-16 HEX NYLOCK
0100	5025396SM	4	NUT, Hex Flange, 1/2-13
0110	-----	1	ROPS, IS700/IS2100/S125XT -(Refer to Note:*)
0110-10	5025017X22SM	2	BOLT, 1/2-13 X 2-3/4"
0110-20	5025158SM	2	WASHER, 1/2" SAE
0110-30	5025396SM	2	NUT, Hex Flange, 1/2-13
0110-40	5103403X1YP	2	ANTI-RATTLE SPRING, FEMCO #230328972 (SV) -(180 Degree Bend Roll Bar)
0110-50	5105140X1YP	2	ANTI-RATTLE SPRING, ROPS, 165 DEGREE (SV) -(165 Degree Bend Roll Bar)
0120	5410486CYP	1	PLATE, CARB PROTECTOR - ORG
0130	5410485AYP	1	PLATE, HEAT SHIELD
0140	5410483CYP	1	WELD, BUMPER - IS700 - ORG

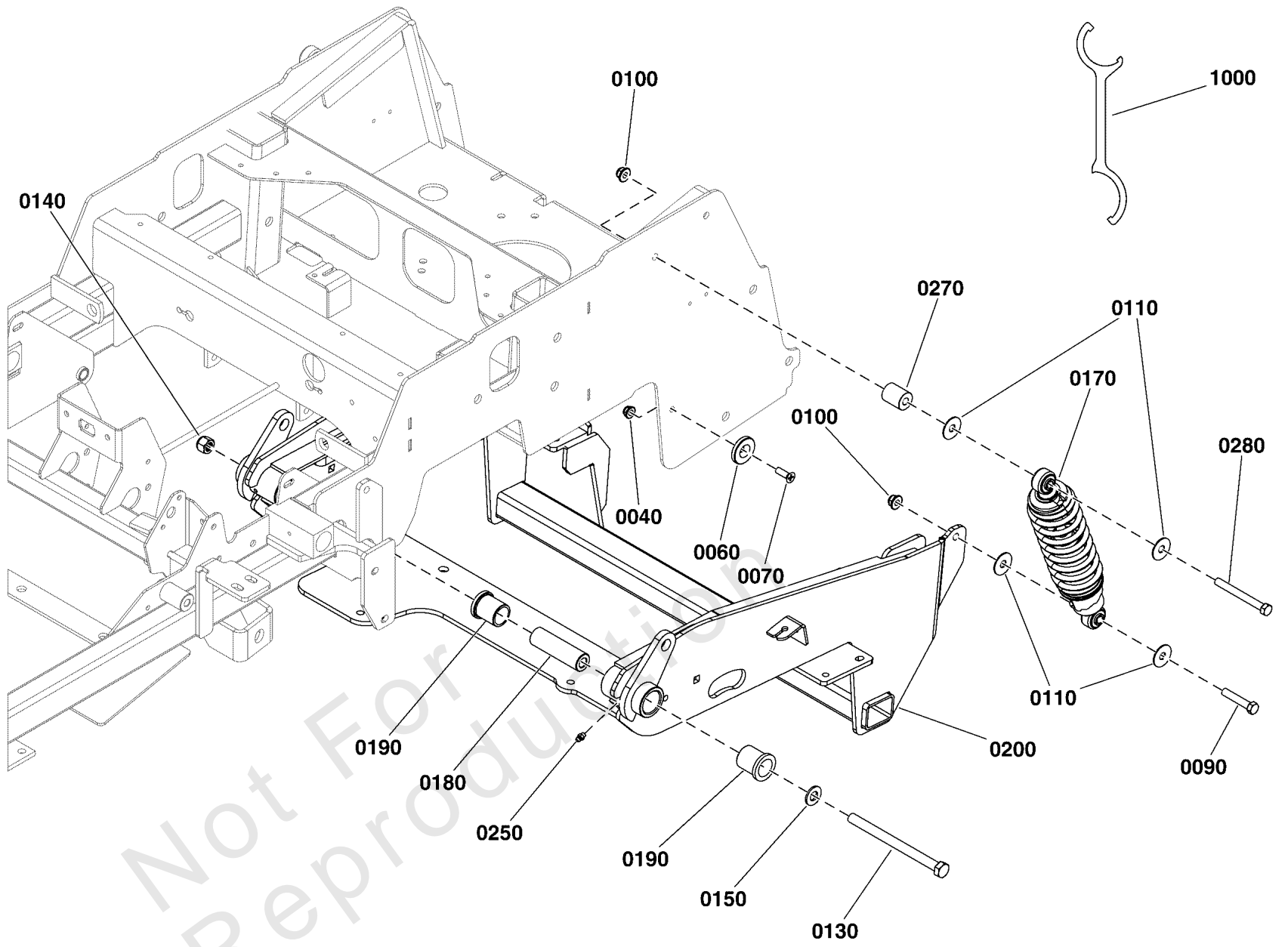
Footnotes:

Note:* Call 1-800-933-6175 ex. 707 for ROPS service.

Rear Suspension Group

Note: Unless noted otherwise, use the standard torque specifications

Mfg. No: 5901984



Rear Suspension Group

REF NO	PART NO	QTY	DESCRIPTION
0040	703115	2	NUT
0060	5102701YP	2	SPACER
0070	5025594YP	2	SCREW, 5/16-18 X 1
0090	703589	2	CAPSCREW, 3/8-16X2
0100	5025394SM	4	NUT, 3/8-16 HEX NYLOCK
0110	5025165SM	8	WASHER, 3/8" FENDER
0130	5025488X52YP	2	BOLT
0140	7091325YP	2	HLN, NYLON, 1/2C YZ
0150	5025158SM	2	WASHER, 1/2" SAE
0170	84001902	2	ABSORBER, SHOCK
0180	5061339SM	2	SPACER, .52 X 1.00 X
0190	5021541SM	4	BUSHING, FLANGE
0200	5409706CYP	1	WELD, SUSPENSION CRADLE, IS700 - ORG
0250	5020095SM	2	GREASE FITTING, 1/4-2
0270	5103427YP	2	SPACER
0280	5025013X28SM	2	BOLT, 3/8-16 X 3-1/2"
1000	84001903	1	WRENCH

Not For Reproduction

Seat Mount and Floor Group

Note: Unless noted otherwise, use the standard torque specifications

Mfg. No: 5901984

Seat Service Parts:

0060-10 - Back Cover, Seat

0060-15 - Cushion Cover, Seat

0060-20 - Set of Non-Adjust Arms

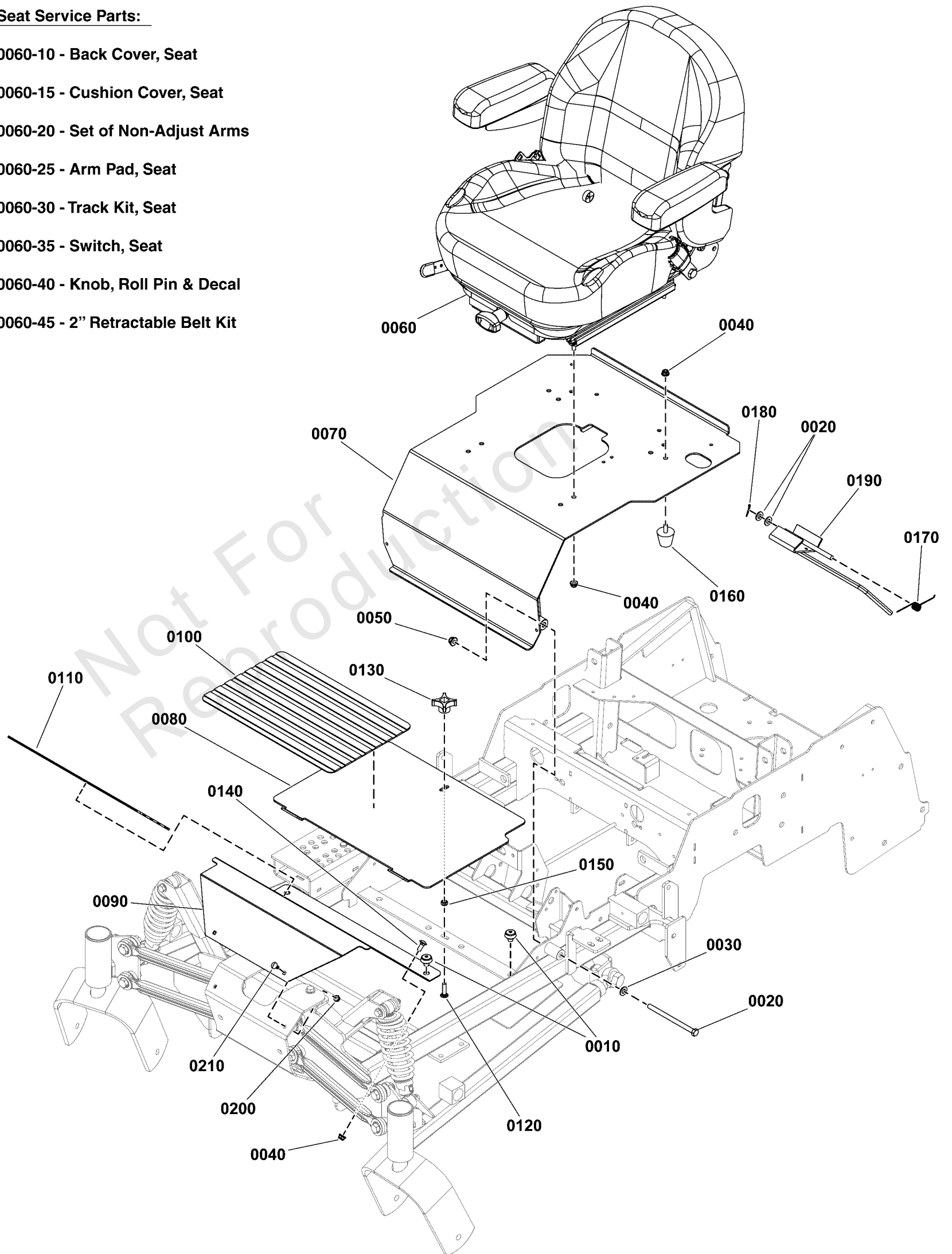
0060-25 - Arm Pad, Seat

0060-30 - Track Kit, Seat

0060-35 - Switch, Seat

0060-40 - Knob, Roll Pin & Decal

0060-45 - 2" Retractable Belt Kit



Seat Mount and Floor Group

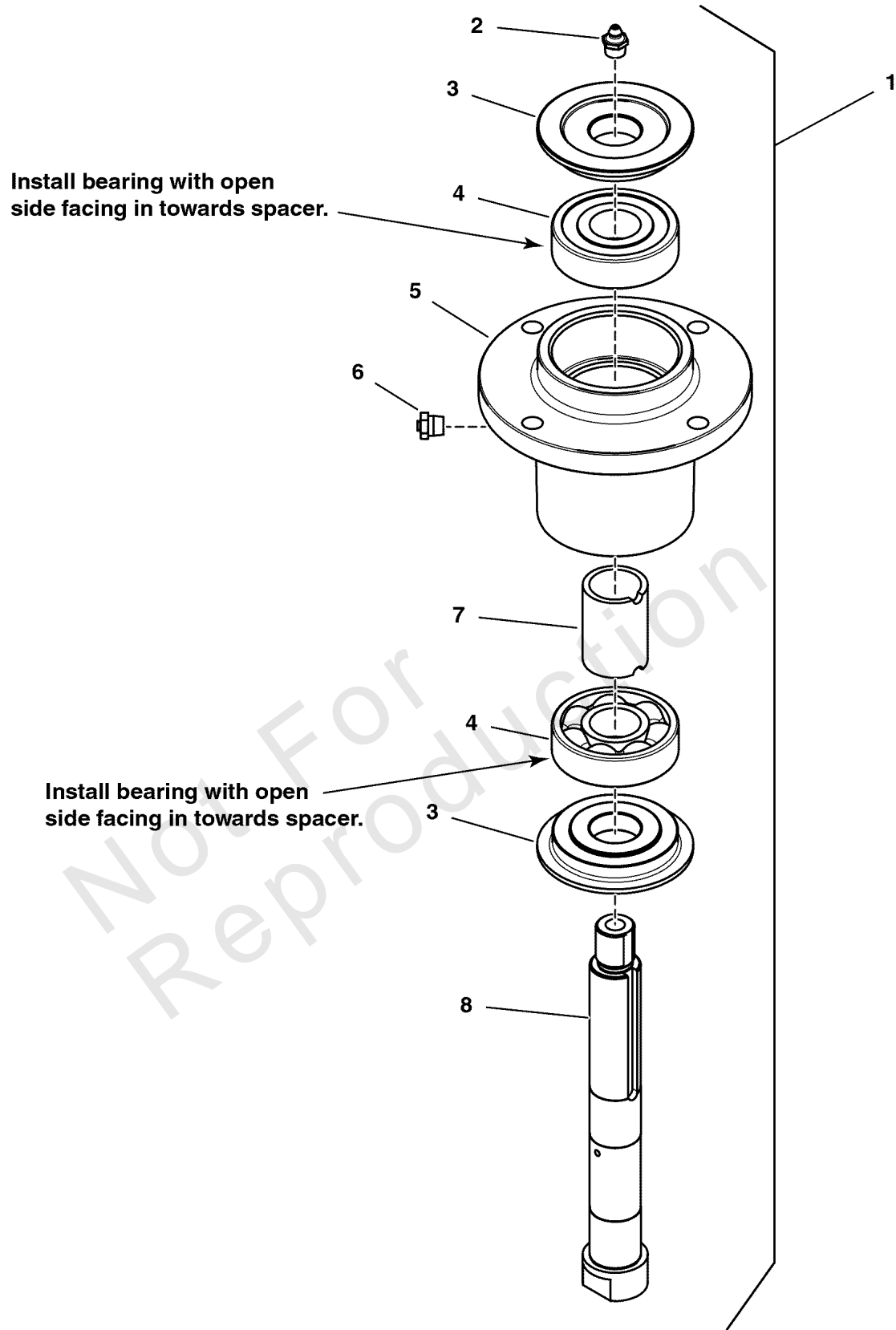
REF NO	PART NO	QTY	DESCRIPTION
0010	197546GS	6	MOUNT-VIBRATION
0020	5025013X44SM	2	BOLT, 3/8-16 X 5-1/2"
0030	703590	4	WASHER, FLAT, .406
0040	703115	10	NUT
0050	5025394SM	2	NUT, 3/8-16 HEX NYLOCK
0060	84006403	1	SEAT
0060-10	84005183	1	COVER, Back -(SV)
0060-15	84005184	1	CUSHION, Seat -(SV)
0060-20	84005185	1	ARM -(SV)
0060-25	84003208	1	SET OF ARM PADS -(SV)
0060-30	84005186	1	KIT, Track -(SV)
0060-35	7023354YP	1	SWITCH, SEAT -(SV)
0060-40	84005187	1	KNOB, Adjuster -(SV)
0060-45	84003214	1	BELT, Seat -(SV)
0070	5601301	1	SEAT PLATE W/DECALS, CIT XT, ST LTCH
0080	5410296CYP	1	PLATE, FLOOR, REMOVABLE, IS700 - ORG
0090	84006563	1	PLATE, Floor
0100	5101374YP	1	SAFETY WALK, FLOOR RE
0110	5101333YP	1	SAFETY WALK, FLOOR PL
0120	5025145X10YP	1	BOLT, 5/16-18 X 1-1/4
0130	1670578SM	1	KNOB-INT THR .312-18
0140	5025145X6SM	2	BOLT, 5/16-18 X 3/4",
0150	703164	1	NUT
0160	84003201	2	SUPPORT, RUBBER
0170	84003202	1	SPRING, TORSION
0180	703312	1	PIN, COTTER, 3/32X.75
0190	84006564	1	LATCH
0200	703463	2	NUT, GR5, 1/4-20
0210	1960252SM	1	BOLT-RD HD SH SQ NK 1

Spindle Service Parts - 5061096SM

Note: Unless noted otherwise, use the standard torque specifications

Mfg. No: 5901984

5061096



Spindle Service Parts - 5061096SM

REF NO	PART NO	QTY	DESCRIPTION
1	5061096SM	1	ASSM, SPINDLE, LONG S -(Refer to Note: *)
2	5023329SM	1	FITTING
3	5049793SM	2	SHIELD, TRASH
4	5023330SM	2	BEARING, .98 X 2.44 X
5	5102993YP	1	SUB ASM, SPINDLE, LON -(Refer to Note: **)
6	5023296SM	1	FITTING, RELIEF, 1-5
7	5061099SM	1	SPACER
8	5061100SM	1	SHAFT, SPINDLE

Not For
Reproduction

Footnotes:

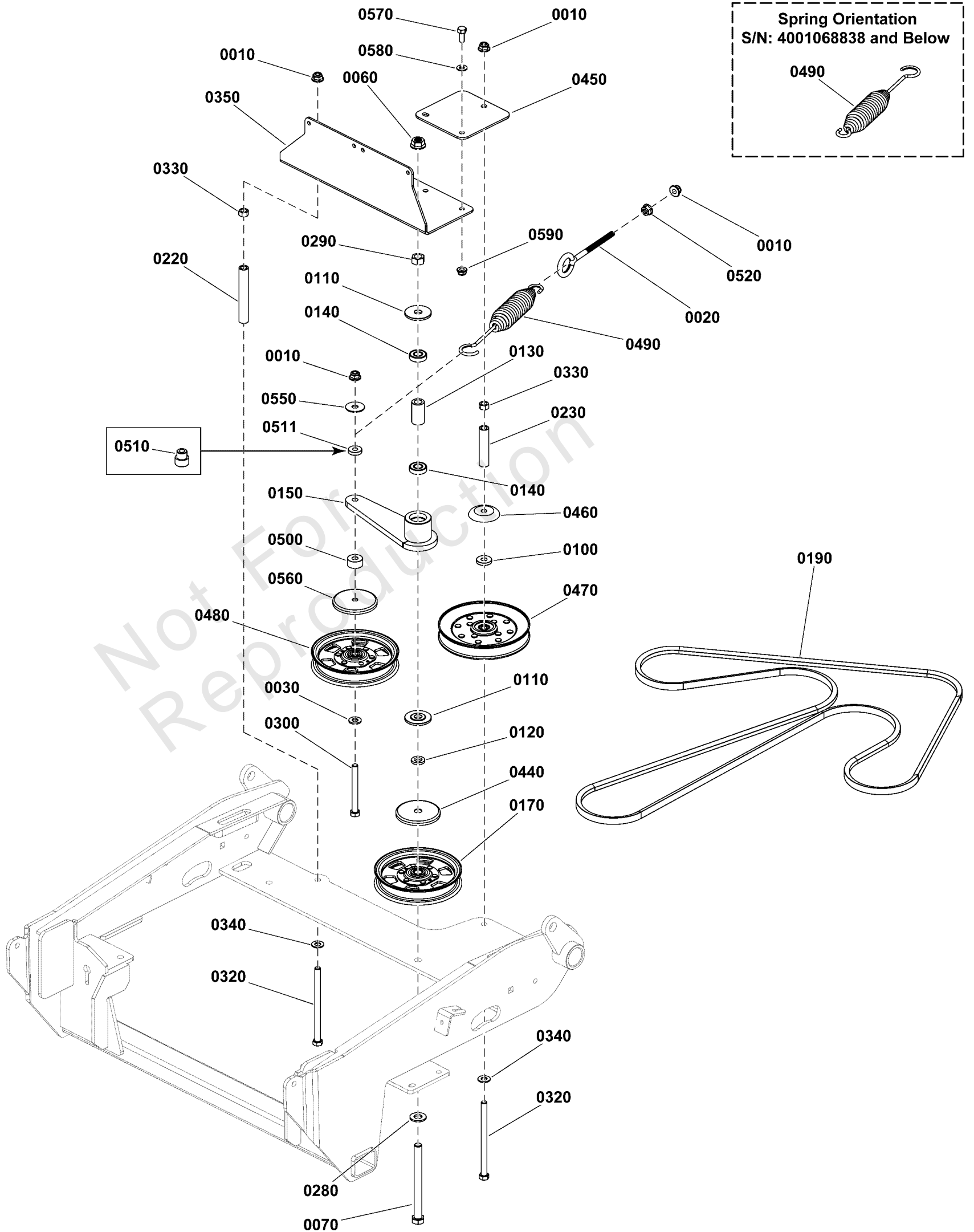
Note: *Includes Items # 4, 5, and 7.

Note: **Includes Items # 2 - 8.

Transaxle Drive Group

Note: Unless noted otherwise, use the standard torque specifications

Mfg. No: 5901984



Transaxle Drive Group

REF NO	PART NO	QTY	DESCRIPTION
0010	5025394SM	4	NUT, 3/8-16 HEX NYLOCK
0020	5021812SM	1	EYE BOLT, 3/8-16 X 4-
0030	5025293SM	1	WASHER, 3/8"
0060	5025396SM	1	NUT, Hex Flange, 1/2-13
0070	5025017X44SM	1	BOLT, 1/2-13 X 5-1/2"
0100	5101965YP	1	SPACER
0110	5103262YP	2	SPACER, IDLER ARM
0120	5104239YP	1	SPACER
0130	5103812YP	1	SPACER, .52 X .84 X 1
0140	7078243YP	2	BEARING, BALL, AXLE
0150	5412787AYP	1	ARM, PUMP DRIVE IDLER
0170	5105101YP	1	PULLEY, IDLER
0190	5103653YP	1	BELT, A-SEC, 114.3
0220	5103763YP	1	SPACER, .39X.63X4.06
0230	5103765YP	1	SPACER, .39X.63X2.81
0280	5025158SM	1	WASHER, 1/2" SAE
0290	5025038SM	1	NUT, 1/2-13 HEX, YZ
0300	5025013X28SM	1	BOLT, 3/8-16 X 3-1/2" -(S/N: 4001068838 and Below)
0300	5025013X22SM	1	BOLT, 3/8-16 X 2-3/4" -(S/N: 4001068839 and Above)
0320	5025013X44SM	2	BOLT, 3/8-16 X 5-1/2"
0330	5025034SM	2	NUT, 3/8-16 HEX
0340	703590	2	WASHER, FLAT, .406
0350	5410310AYP	1	PLATE, RESERVOIR MOUNT - BLK
0440	5105145YP	1	SHIELD
0450	5410589AYP	1	PLATE, Support
0460	5103787YP	1	SHIELD, BRNG PULLEY
0470	5103792YP	1	PULLEY, IDLER-V
0480	5105098YP	1	PULLEY, IDLER
0490	5100632YP	1	SPRING, EXTENSION
0500	5046860SM	1	SPACER -(S/N: 4001068838 and Below)
0510	5020923YP	1	SPACER, SHOULDER -(S/N: 4001068839 and Above)
0511	5044960SM	1	SPACER, .39 X 1.00 X
0520	5025128SM	1	NUT, 3/8-16 HEX SERRA
0550	5025165SM	1	WASHER, 3/8" FENDER
0560	5105146YP	1	SHIELD
0570	5025011X6SM	2	BOLT, 5/16-18 X 3/4"
0580	703302	2	WASHER, 5/16
0590	703115	2	NUT

Footnotes:

(coil-to-coil spring measurement: 5")

Transaxle SERVICE Parts - Hydro-Gear ZT3400 (84002464_84002465)

Note: Unless noted otherwise, use the standard torque specifications

Mfg. No: 5901984

Service Parts Schematic for Hydro-Gear® Transaxles: ZS-GKEF-8T7B-11RX (5106647) ZS-KKEF-8T7C-11RX (5106646)

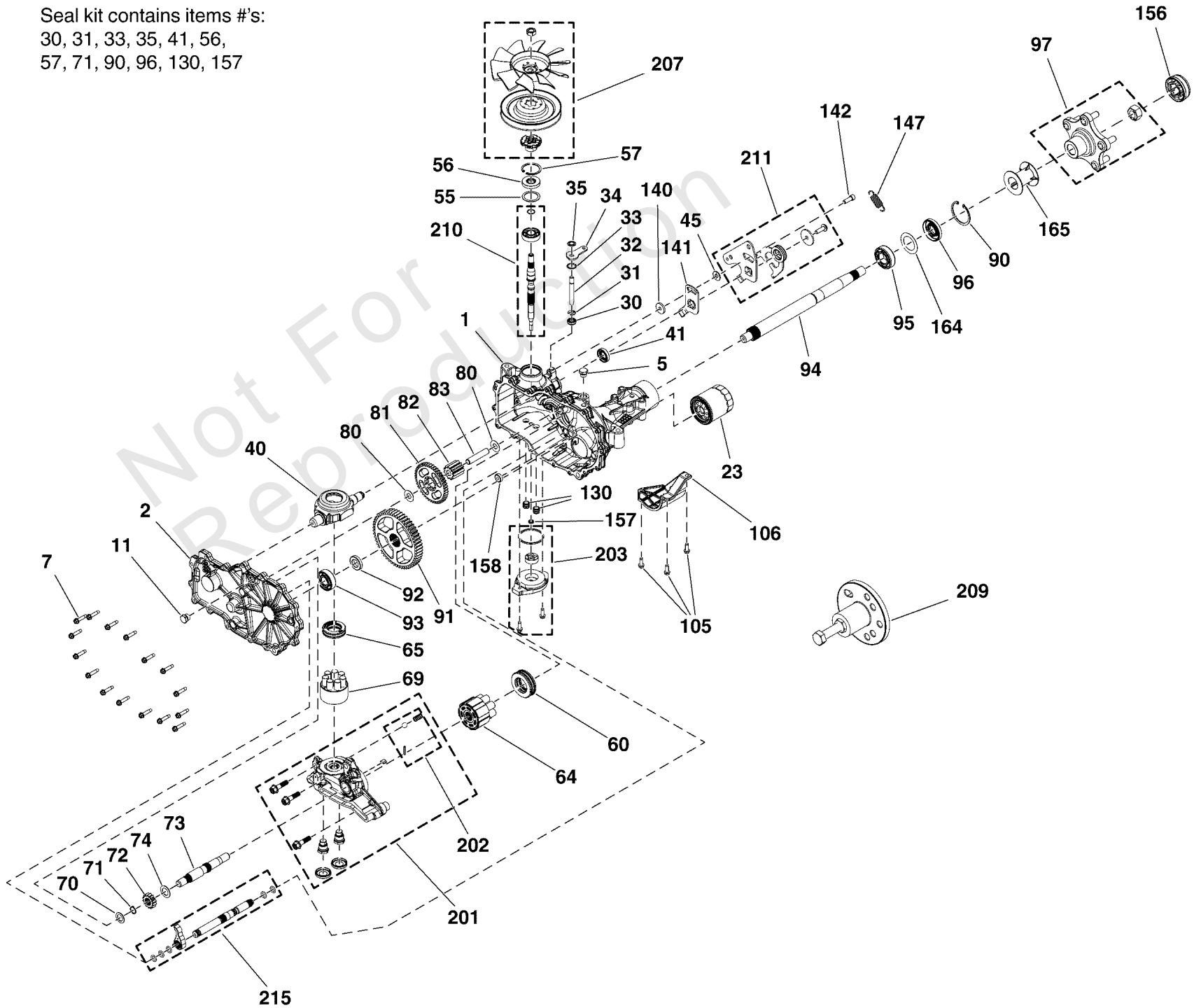
For components not listed see your authorized
Hydro-Gear® service provider.

Items Not Shown

- 13 - Sealant
- 14 - Oil, 20W50, 70.3 OZ
- 200 - Seal Kit

Seal kit contains items #'s:

- 30, 31, 33, 35, 41, 56,
- 57, 71, 90, 96, 130, 157



Transaxle SERVICE Parts - Hydro-Gear ZT3400 (84002464_84002465)

REF NO	PART NO	QTY	DESCRIPTION
1	----	1	KIT, MAIN HOUSING, RH, CHARGE, CONTROL
2	----	1	KIT, SIDE COVER RH
5	----	1	PLUG EXTERNAL HEX VENT 9/16-18
7	----	16	SCREW, HEX WASHER
11	----	1	PLUG EXTERNAL HEX VENT 9/16-18
23	5101026X1SM	1	FILTER, OIL,
30	84003137	1	SEAL, Lip
31	----	1	BYPASS RETAINING RING 1
32	----	1	ROD, BYPASS .375 X 2.88
33	----	1	BYPASS RETAINING RING 2
34	----	1	ARM, BYPASS
35	----	1	RING, RETAINING .375 EXTERNAL
40	----	1	SWASHPLATE, TRUNNION
41	5101026X2SM	1	SEAL, LIP
45	----	1	WASHER, .34X.88X.06
55	1730272SM	1	SPACER
56	5022905X16SM	1	SEAL, Lip, .67 x 1.58 x .276
57	5101026X4SM	1	RING, RET 2.06 INT,
60	----	1	BEARING, THRUST 35 x 62 x 18
64	----	1	KIT, 16cc CYLINDER BLOCK ASSEMBLY STEAM TREAT
65	----	1	BEARING, THRUST PLASTIC CAGE
69	----	1	KIT, CYLINDER BLOCK (12cc)
70	----	1	WASHER, .63 X 1.00 X .05 FLAT
71	1706130SM	1	SNAP RING
72	----	1	GEAR, 14T (STEEL)
73	----	1	SHAFT, MOTOR
74	----	1	WASHER, .71 X 1.16 X .04 FLAT
80	----	2	WASHER, .51 X 1.00 X .03 FLAT
81	----	1	GEAR, 45T
82	----	1	GEAR, 11T (STEEL)
83	----	1	PIN, JACKSHAFT
90	5101026x17YP	1	RING, RETAINING 2.25 INTERNAL (50859)
91	----	1	GEAR, 54T
92	----	1	SPACER, .750 X 1.320 X .257
93	84005876	1	KIT, Bearing
94	----	1	SHAFT, AXLE
95	5101026X5SM	1	BEARING, BALL, 1.0 X 52 X 15 OPEN 6205M
96	5103589X1YP	1	KIT, SEAL, LIP -
97	84003138	1	HUB
105	----	3	SCREW, HEX WASHER 1/4-20 X .75
106	----	1	GUARD, FILTER, RH
130	----	2	TUBE, CHARGE TRIPLE O-RING
140	----	1	SPACER, .320X1.005X.179
141	----	1	ARM, NEUTRAL RIGHT
142	----	1	SHCS, 5/16-24 X .875 (PATCH)
147	1735483SM	1	SPRING, Extension
156	5103589X7YP	1	AXLE CAP,
157	----	1	KIT, GEROTOR SEAL
158	----	1	MAGNET
164	----	1	WASHER, 1.355 x 2.035 x .021 FLAT
165	5103589X9YP	1	DEBRIS GUARD HG #53496

Transaxle SERVICE Parts - Hydro-Gear ZT3400 (84002464_84002465)

Note: Unless noted otherwise, use the standard torque specifications

Mfg. No: 5901984

Service Parts Schematic for Hydro-Gear® Transaxles: ZS-GKEF-8T7B-11RX (5106647) ZS-KKEF-8T7C-11RX (5106646)

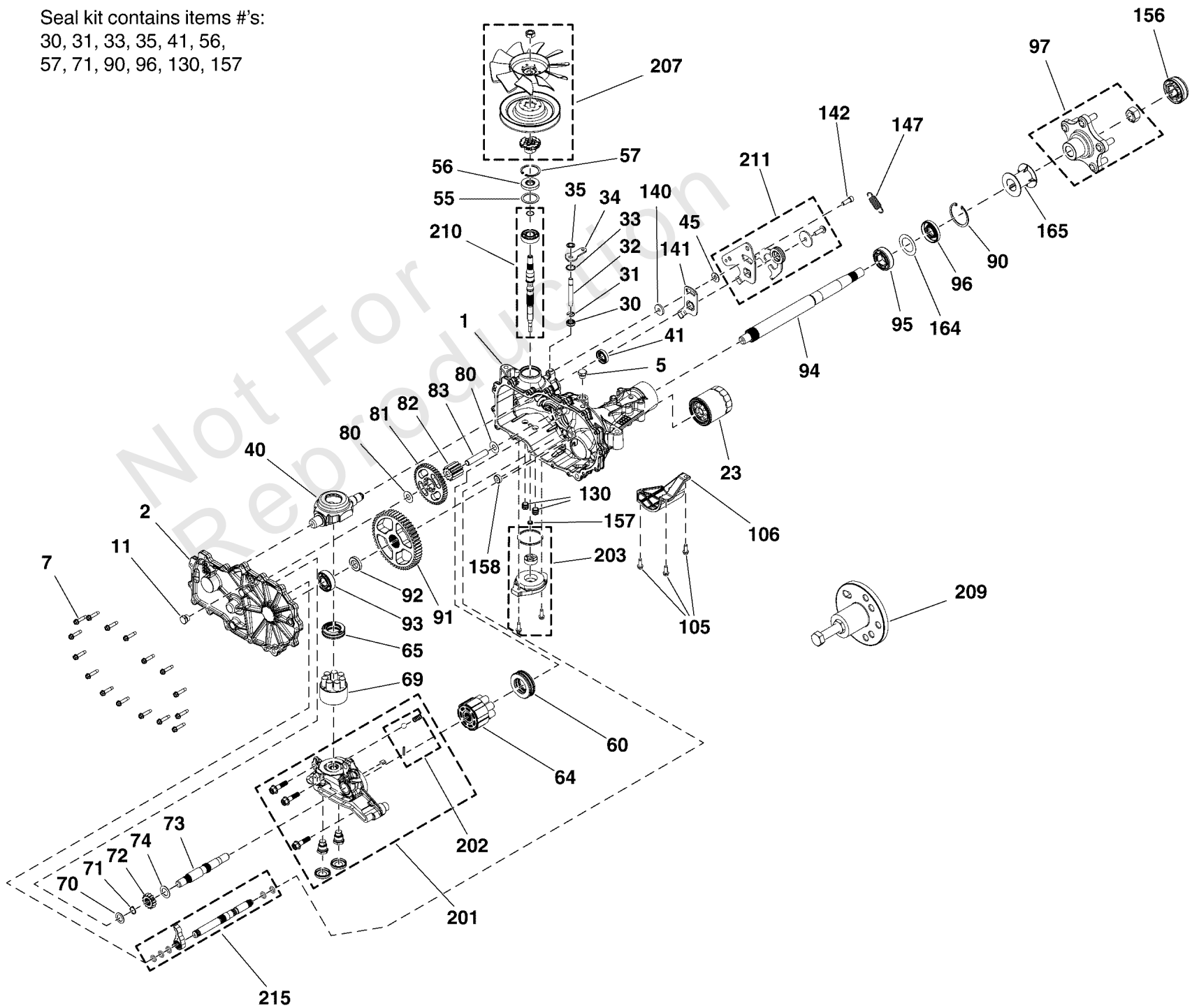
For components not listed see your authorized Hydro-Gear® service provider.

Items Not Shown

- 13 - Sealant
- 14 - Oil, 20W50, 70.3 OZ
- 200 - Seal Kit

Seal kit contains items #'s:

- 30, 31, 33, 35, 41, 56,
- 57, 71, 90, 96, 130, 157



Transaxle SERVICE Parts - Hydro-Gear ZT3400 (84002464_84002465)

REF NO	PART NO	QTY	DESCRIPTION
200	5103589X2YP	1	KIT, SEAL -
201	-----	1	KIT, CENTER SECTION, RH CHARGE
202	-----	1	KIT, CHARGE RELIEF
203	5101026X12YP	1	KIT, CHARGE PUMP,
207	5103589X3YP	1	KIT, FAN & PULLEY -
209	-----	1	KIT, HUB PULLER
210	5103589X4YP	1	KIT, INPUT SHAFT -
211	1735491SM	1	ARM, Control Kit R.H.
215	84003139	1	KIT, Seal -(Brake Shaft)

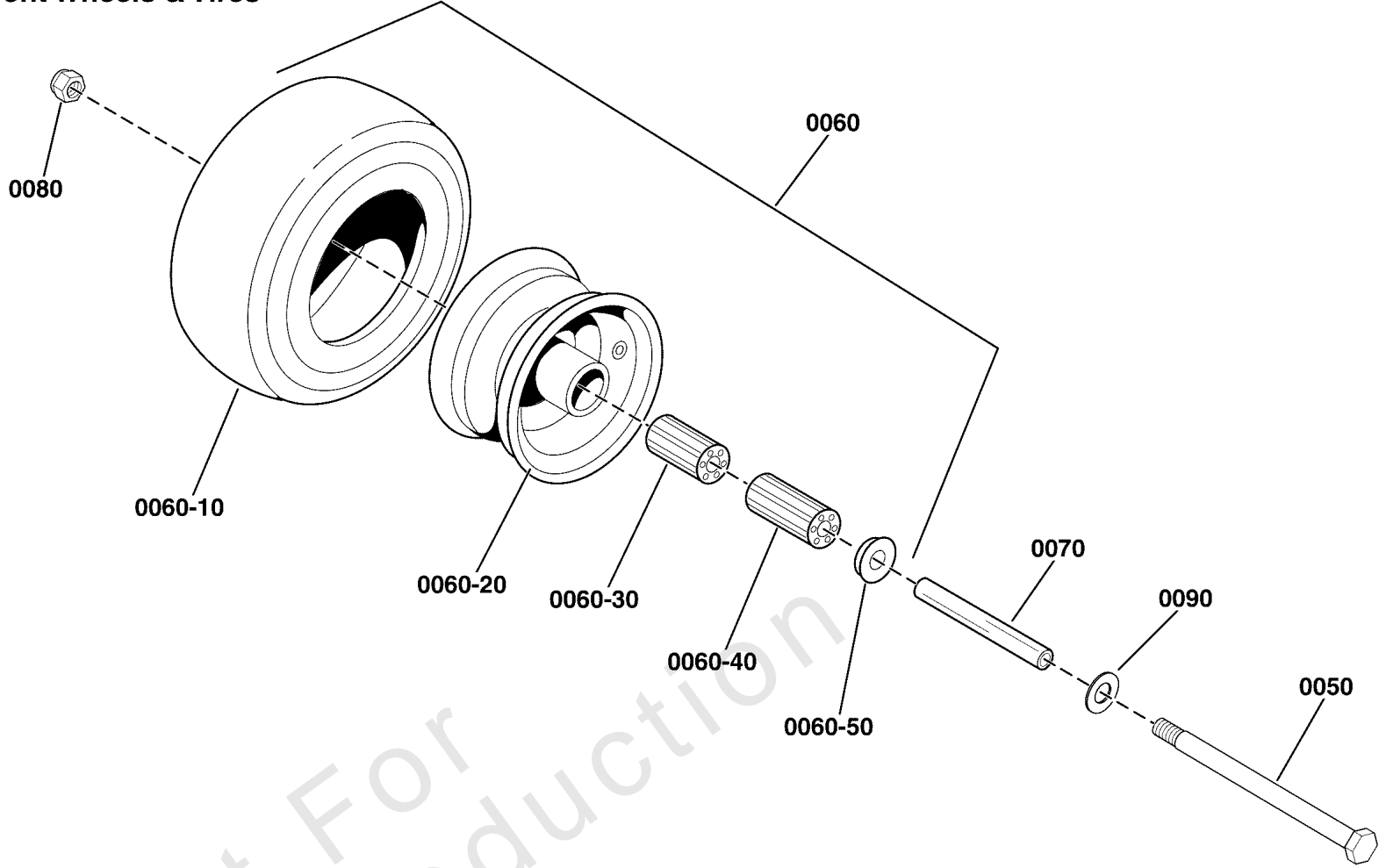
Not For Reproduction

Wheel and Tire Group S/N: 4001673740 and below

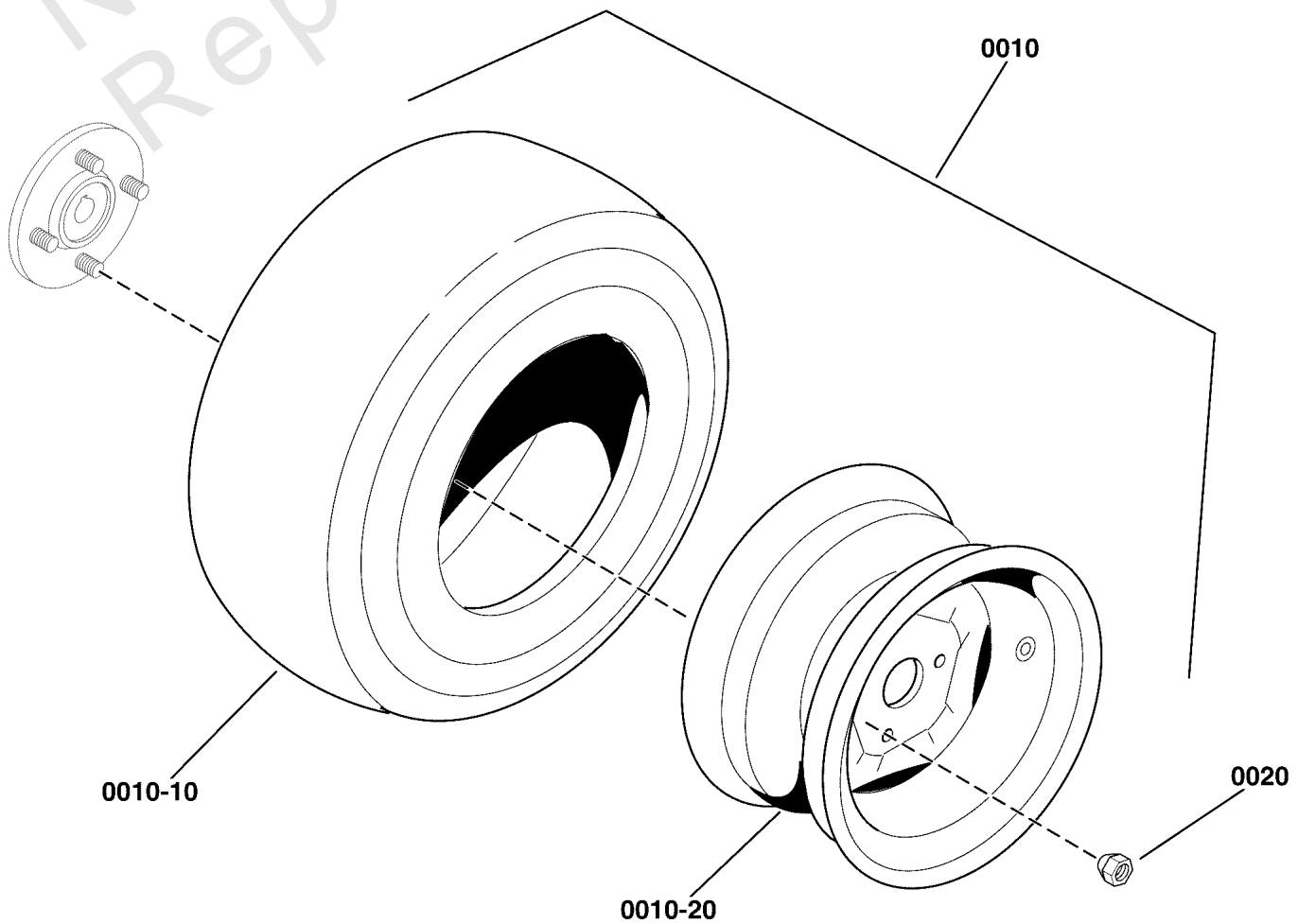
Note: Unless noted otherwise, use the standard torque specifications

Mfg. No: 5901984

Front Wheels & Tires



Rear Wheels & Tires



Wheel and Tire Group S/N: 4001673740 and below

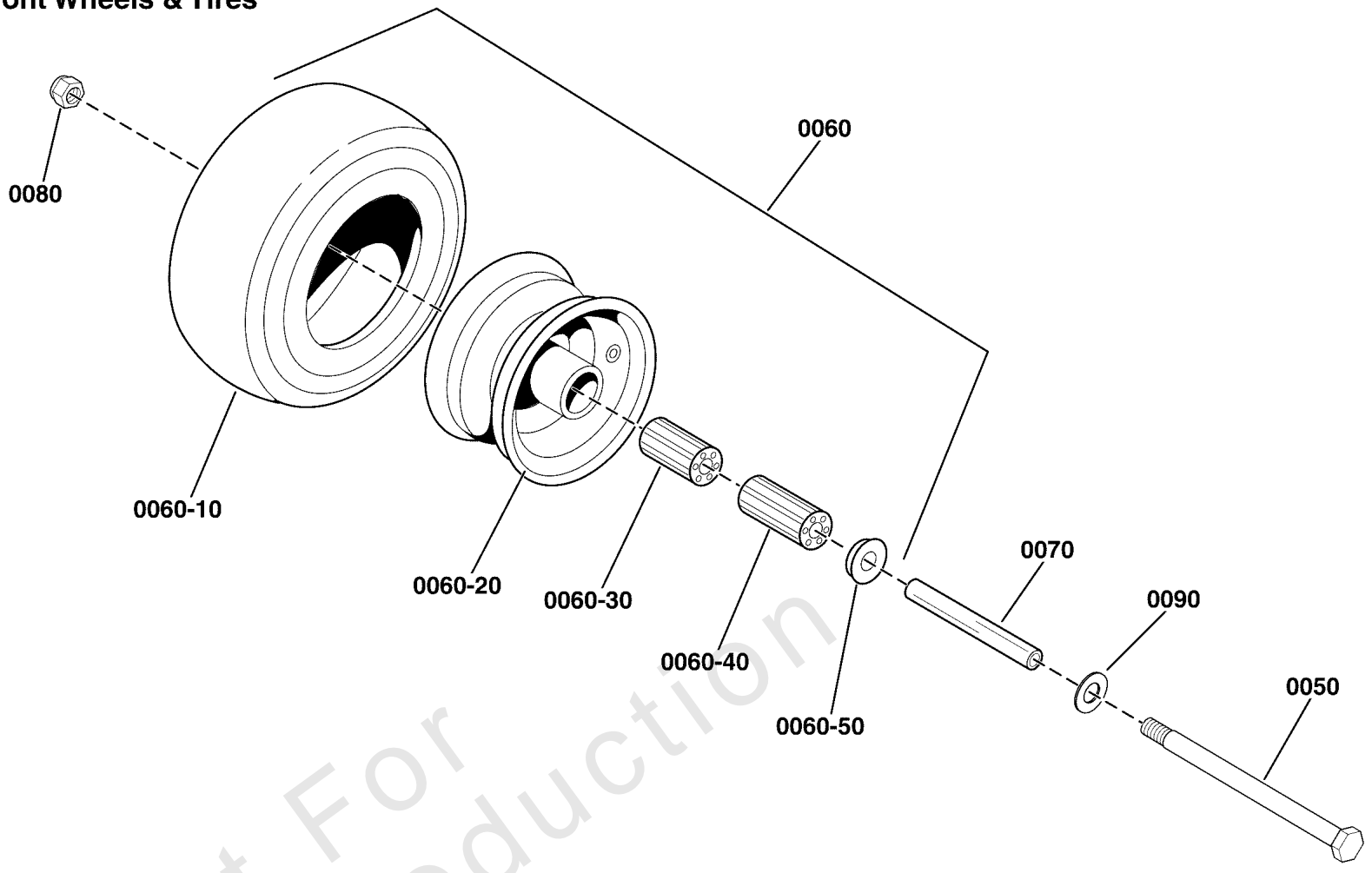
REF NO	PART NO	QTY	DESCRIPTION
0010	84003131	2	TIRE ASSEMBLY -(S/N: 4000771923 and below)
0010	84003894	2	TIRE ASSEMBLY -(S/N: 4000771924 and above)
0010-10	5103920X2YP	2	TIRE, 23 X 10.5-12NHS, TURF SMART (SV) -(One per tire)(S/N: 4000771923 and below)
0010-10	84003895	2	TIRE (23 X 10.5 - 12) -(One per tire)(S/N: 4000771924 and above)
0010-20	84003132	2	RIM, Wheel -(One per tire)
0020	5020601SM	10	NUT, 1/2-20, FOR WHEEL BOLT SILVER
0050	5025017X72YP	2	BOLT, 1/2-13 X 9 GD5
0060	84002028	2	TIRE ASM, 13X6.5-6, ROLLER BEARING
0060-10	5022577YP	2	TIRE, Rubber Only -(One per tire)
0060-20	84002536	2	WHEEL, 6" DIA X 4.5" BEAD WIDTH, CASTER -(One per tire)
0060-30	84002537	2	BEARING, OPEN GAGE ROLLER, 3/4" ID X 2.75" -(One per tire)
0060-40	5021182SM	2	BEARING, Roller (1 per tire) -(One per tire)
0060-50	5021043SM	2	RETAINER, Bearing
0070	84002029	2	CASTER AXLE SHAFT, .51"ID X .75"ODX 7.16
0080	5025396SM	2	NUT, Hex Flange, 1/2-13
0090	5025158SM	2	WASHER, 1/2" SAE

Wheel and Tire Group S/N: 4001673741 and above

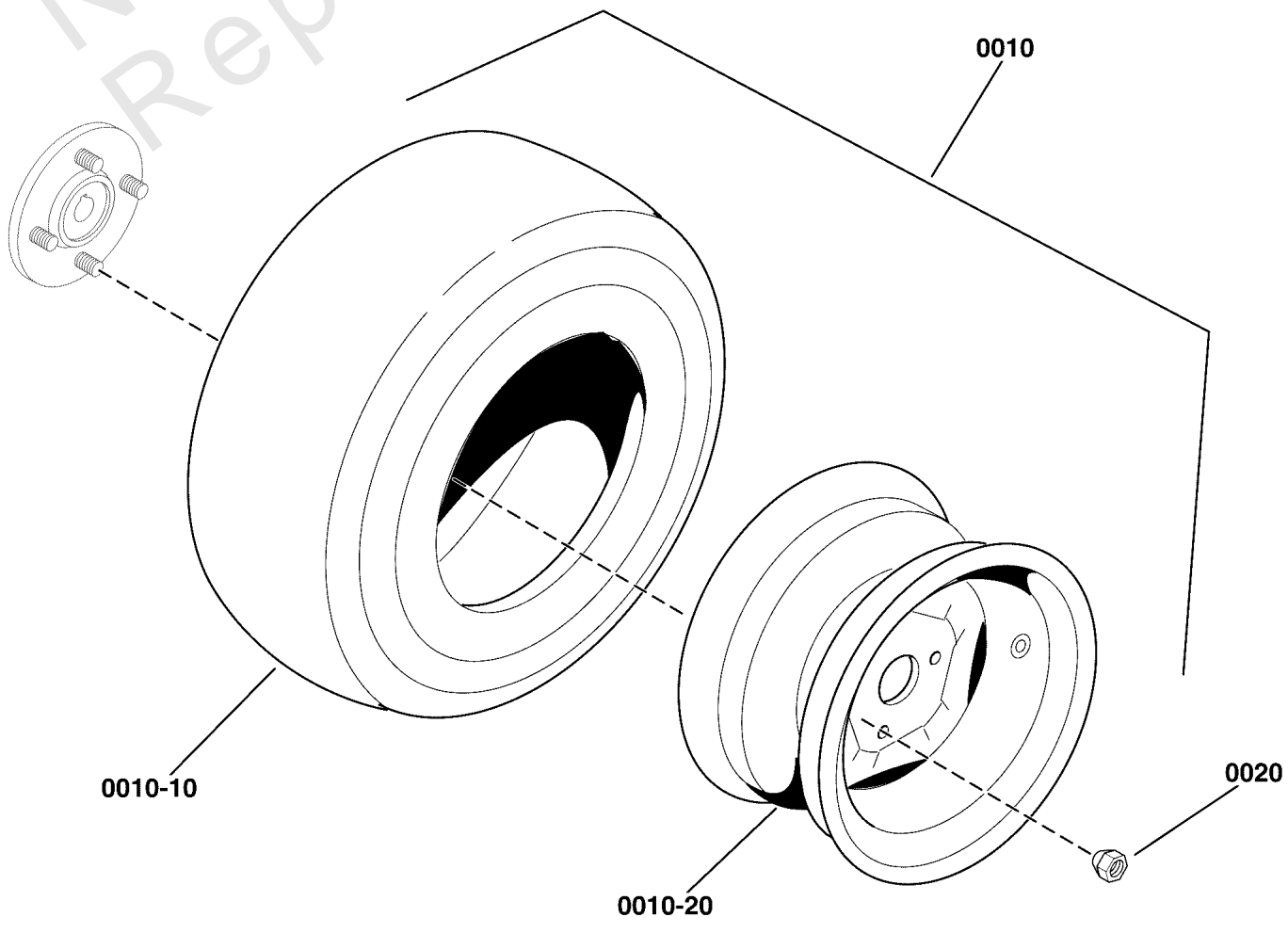
Note: Unless noted otherwise, use the standard torque specifications

Mfg. No: 5901984

Front Wheels & Tires



Rear Wheels & Tires



Wheel and Tire Group S/N: 4001673741 and above

REF NO	PART NO	QTY	DESCRIPTION
0010	84003894	2	TIRE ASSEMBLY
0010-10	84003895	2	TIRE (23 X 10.5 - 12) -(One per tire)
0010-20	84003132	2	RIM, Wheel -(One per tire)
0020	5020601SM	10	NUT, 1/2-20, FOR WHEEL BOLT SILVER
0050	5025017X72YP	2	BOLT, 1/2-13 X 9 GD5
0060	84006934	2	WHEEL ASSEMBLY
0060-10	84002535	2	TIRE, 13X650-6-4 PLY SMOOTH -(One per tire)
0060-20	-----	2	Reference Only -(One per tire)
0060-30	84002537	2	BEARING, OPEN GAGE ROLLER, 3/4" ID X 2.75" -(One per tire)
0060-40	5021182SM	2	BEARING, Roller (1 per tire) -(One per tire)
0060-50	5021043SM	2	RETAINER, Bearing
0070	84002029	2	CASTER AXLE SHAFT, .51"ID X .75"ODX 7.16
0080	5025396SM	2	NUT, Hex Flange, 1/2-13
0090	5025158SM	2	WASHER, 1/2" SAE

Not For Reproduction

Hardware Identification & Torque Specifications

Torque Specification Chart								
FOR STANDARD METRIC MACHINE HARDWARE (Tolerance ± 20%)								
Property Class	5.6		8.8		10.9		12.9	
	Class 5.6		Class 8.8		Class 10.9		Class 12.9	
Size Of Hardware	in/lbs	Nm.	in/lbs	Nm.	in/lbs	Nm.	in/lbs	Nm.
	ft/lbs		ft/lbs		ft/lbs		ft/lbs	
M3	5.88	.56	13.44	1.28	19.2	1.80	22.92	2.15
M4	13.44	1.28	30.72	2.90	43.44	4.10	52.56	4.95
M5	26.4	2.50	60.96	5.75	5.97	8.10	7.15	9.7
M6	44.64	4.3	7.3	9.9	10.3	14	12.1	16.5
M7	5.2	7.1	12.1	16.5	16.9	23	19.9	27
M8	7.7	10.5	17.7	24	25	34	29	40
M10	15	21	35	48	50	67	59	81
M12	26	36	61	83	86.2	117	103	140
M14	42	58	101	132	136	185	162	220
M16	64	88	147	200	210	285	250	340
M18	89	121	202	275	287	390	346	470
M20	126	171	290	390	405	550	486	660
M22	169	230	390	530	559	745	656	890
M24	217	295	497	375	708	960	840	1140
M27	320	435	733	995	1032	1400	1239	1680
M30	435	590	995	1350	1401	1900	1681	2280
M33	590	800	1349	1830	1902	2580	2278	3090
M36	759	1030	1740	2360	2441	3310	2935	3980
M39	988	1340	2249	3050	3163	4290	3798	5150

Torque Specification Chart						
FOR STANDARD MACHINE HARDWARE (Tolerance ± 20%)						
Hardware Grade	No Marks		SAE Grade 5		SAE Grade 8	
	SAE Grade 2		SAE Grade 5		SAE Grade 8	
Size Of Hardware	in/lbs	Nm.	in/lbs	Nm.	in/lbs	Nm.
	ft/lbs		ft/lbs		ft/lbs	
8-32	19	2.1	30	3.4	41	4.6
8-36	20	2.3	31	3.5	43	4.9
10-24	27	3.1	43	4.9	60	6.8
10-32	31	3.5	49	5.5	68	7.7
1/4-20	66	7.6	8	10.9	12	16.3
1/4-28	76	8.6	10	13.6	14	19.0
5/16-18	11	15.0	17	23.1	25	34.0
5/16-24	12	16.3	19	25.8	29	34.0
3/8-16	20	27.2	30	40.8	45	61.2
3/8-24	23	31.3	35	47.6	50	68.0
7/16-14	30	40.8	50	68.0	70	95.2
7/16-20	35	47.6	55	74.8	80	108.8
1/2-13	50	68.0	75	102.0	110	149.6
1/2-20	55	74.8	90	122.4	120	163.2
9/16-12	65	88.4	110	149.6	150	204.0
9/16-18	75	102.0	120	163.2	170	231.2
5/8-11	90	122.4	150	204.0	220	299.2
5/8-18	100	136	180	244.8	240	326.4
3/4-10	160	217.6	260	353.6	386	525.0
3/4-16	180	244.8	300	408.0	420	571.2
7/8-9	140	190.4	400	544.0	600	816.0
7/8-14	155	210.8	440	598.4	660	897.6
1-8	220	299.2	580	788.8	900	1,244.0
1-12	240	326.4	640	870.4	1,000	1,360.0

The guides and ruler furnished below are designed to help you select the appropriate hardware.

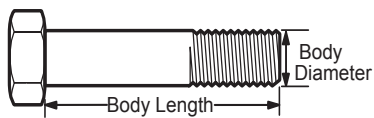


Nut, M8

Thread Diameter (mm)

Inside Diameter (in) Threads per inch

Nut, 1/2-16

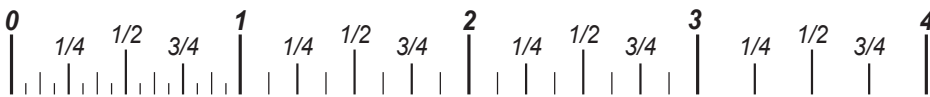


Screw, M8- 1.25 x 25

Thread Diameter (mm) Distance between threads (mm) Body Length (mm)

Body Diameter Threads per inch Body Length (in)

Screw, 1/2- 16 x 2



Standard Hardware Sizing

When a washer or nut is identified as 1/2" (M8), this is the *Nominal size*, meaning the *inside diameter* is 1/2 inch (8mm metric thread diameter); if a second number is present it represents the *threads per inch* (distance between threads).

When bolt or capscrew is identified as 1/2 - 16 x 2" (M8 - 1.25 x 50), this means the *Nominal size*, or body diameter is 1/2 inch (8mm metric thread diameter), the second number, 16, represents the *threads per inch*, (*distance between threads*). The final number is the body length of the bolt or screw, 2 inches (50mm).

NOTES

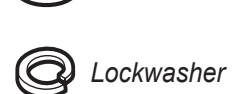
- These torque values are to be used for all hardware excluding: locknuts, self-tapping screws, thread forming screws, sheet metal screws and socket head setscrews.
- Recommended seating torque values for locknuts:
 - for prevailing torque locknuts - use 65% of grade 5 torques.
 - for flange whizlock nuts and screws - use 135% of grade 5 torques.
- Unless otherwise noted on assembly drawings, all torque values must meet this specification.

Common Hardware Types

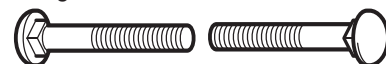
Hex Head Capscrew



Washer



Carriage Bolt



Hex Nut

Wrench & Fastener Size Guide

1/4" Bolt or Nut Wrench—7/16"	5/16" Bolt or Nut Wrench—1/2"	3/8" Bolt or Nut Wrench—9/16"	7/16" Bolt or Nut Wrench (Bolt)—5/8" Wrench (Nut)—11/16"	1/2" Bolt or Nut Wrench—3/4"
M6 Bolt or Nut Wrench—10mm	M8 Bolt or Nut Wrench—13mm	M10 Bolt or Nut Wrench—17mm	M12 Bolt or Nut Wrench—19mm	M14 Bolt or Nut Wrench—22mm

