



Parts Manual

Mfg. No: 2691673-00

Broadmoor, 25 Gross HP Hydro RMO
Rear Suspension and 48" Fabricated
Mower Deck



1692125 - Cart, Dump (10 Cu. Ft.)
1694152 - Snow Cab, Soft Side.
1694163 - Wide Body Cart & Hitch.
1694146 - Hitch, Subframe.
1694286 - Snowthrower Subframe & Hitch.
1693754 - Blade, 42" Angling Dozer.
1694150 - Snowthrower, Single Stage, 46".
1694296 - Snowthrower, Single Stage, 46".
1694295 - Snowthrower, Single Stage, 42".
1691319SM - Suitcase Weights, 33Lbs.
1692939SM - 50 Lbs. Suitcase Weights.
1694155SM - Front Weight Carrier.
1690095SM - Tire Chains (23" Tires).
1694542 - Wide Body Cart Collector.
1690555SM - Weight, Rear Wheel (1 Each).
1695641YP - Dethatcher, Tow- Behind, 40".
1695791 - Tiller, Tow Behind, 36".
1696363-00 - Catcher, Clean Sweep Triple.
1696358-00 - Catcher, Clean Sweep Triple.
1695092SM - Tire Chains (22 x 10 - 8/10, 22 x 9.5 - 12)).
1694947 - Lift Lever Kit.
1695939 - Dozer Blade, 48".
1695195 - Hitch, Sub Frame, 42" Dozer Blade.
1695196 - Hitch, Sub Frame, 42" Snowthrower.
1694543 - Wide Body Cart Collector Hitch & Tube Kit.
1696361-00 - Wide Body Cart Collector Hitch & Tube Kit.
1696693 - Grass Mulcher Kit, 48" Fabricated Mower Deck.
1696447-00 - Turbo, 48" Fabricated Mower Deck.
1696750-00 - Turbo, 48" Fabricated Mower Deck.
1695613 - Snow Cab, Soft Side.
1696352YP - Rear Wheel Weight, 32 Lbs..
1696323YP - Rear Weight Carrier.
1694144 - Snowthrower, Single-Stage, 42".
1694874 - Snowthrower, Two Stage, 42".
1695099 - Snowthrower, Two Stage, 42".
1695297 - Snowthrower, Single Stage, 42".
1695298 - Snowthrower, Single Stage, 46".
1696425-00 - Snowthrower, Single Stage, 42".
1696909 - Grass Mulcher Kit, 48" Fabricated Mower Deck.
1696805-01 - 48" Fabricated Mower Deck.
1695360-01 - Snowthrower Attachment, Two Stage, 42".
1696356-01 - Hitch & Tube Kit, Catcher.
1696358-01 - Catcher, Clean Sweep Triple.
1696358A-00 - Catcher, Clean Sweep Triple.
1696363-01 - Catcher, Clean Sweep Triple.
1696363A-00 - Catcher, Clean Sweep Triple.
1694147-01 - Hitch, Dozer Blade.
1696356-00 - Hitch & Tube Kit, Catcher.
1696672A-00 - Bagging Boot, Blade & Baffle, 48".
1696750A-00 - Turbo, 48" Fabricated Mower Deck.
1688085-00 -KIT, Seat, 18" High Back w/Armrests.
1697363A-00 - Catcher, Clean Sweep, Triple.
1697376A-00 - Bagging Boot, Blade & Baffle, 48".
1697364A-00 - Grass Catcher, Triple.

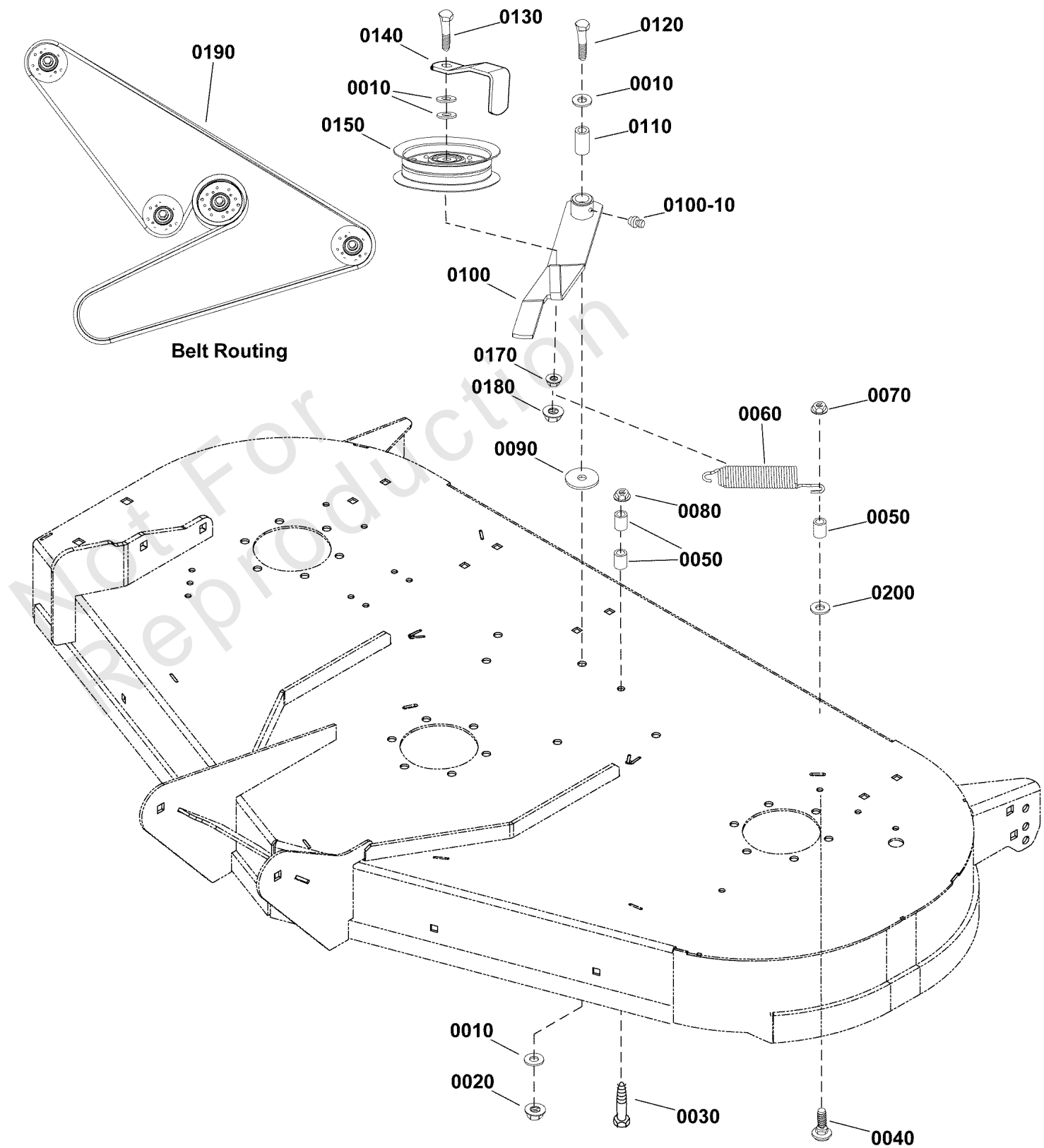
| Model Components | Page |
|---|-------------|
| 48" (122cm) Mower Deck - Clutch & Support Group. | 4 |
| 48" (122cm) Mower Deck - Housing, Arbors & Blades Group. | 6 |
| 48" (122cm) Mower Deck - Support Group. | 8 |
| Controls Group. | 12 |
| Cruise Control Group. | 14 |
| Decals Group. | 16 |
| Electrical Group - Hourmeter. | 18 |
| Electrical Schematic -. | 20 |
| Engine Group - 25 Gross HP Briggs & Stratton. | 22 |
| Frame & Front Axle Group. | 24 |
| Hood, Grille & Dash Group. | 26 |
| Lift Group, Broadmoor. | 28 |
| Rear Suspension Group. | 30 |
| Seat Deck Group. | 32 |
| Seat Group. | 34 |
| Steering Group - Power Steering. | 36 |
| Transmission Group - Tuff Torq K62AC. | 38 |
| Transmission SERVICE PARTS - Tuff Torq K62AC (84003709). | 40 |
| Wheels & Tires Group. | 44 |
| Torque Specification Chart. | 46 |

Not For
Reproduction

48" (122cm) Mower Deck - Clutch & Support Group

Note: Unless noted otherwise, use the standard torque specifications

Mfg. No: 2691673-00



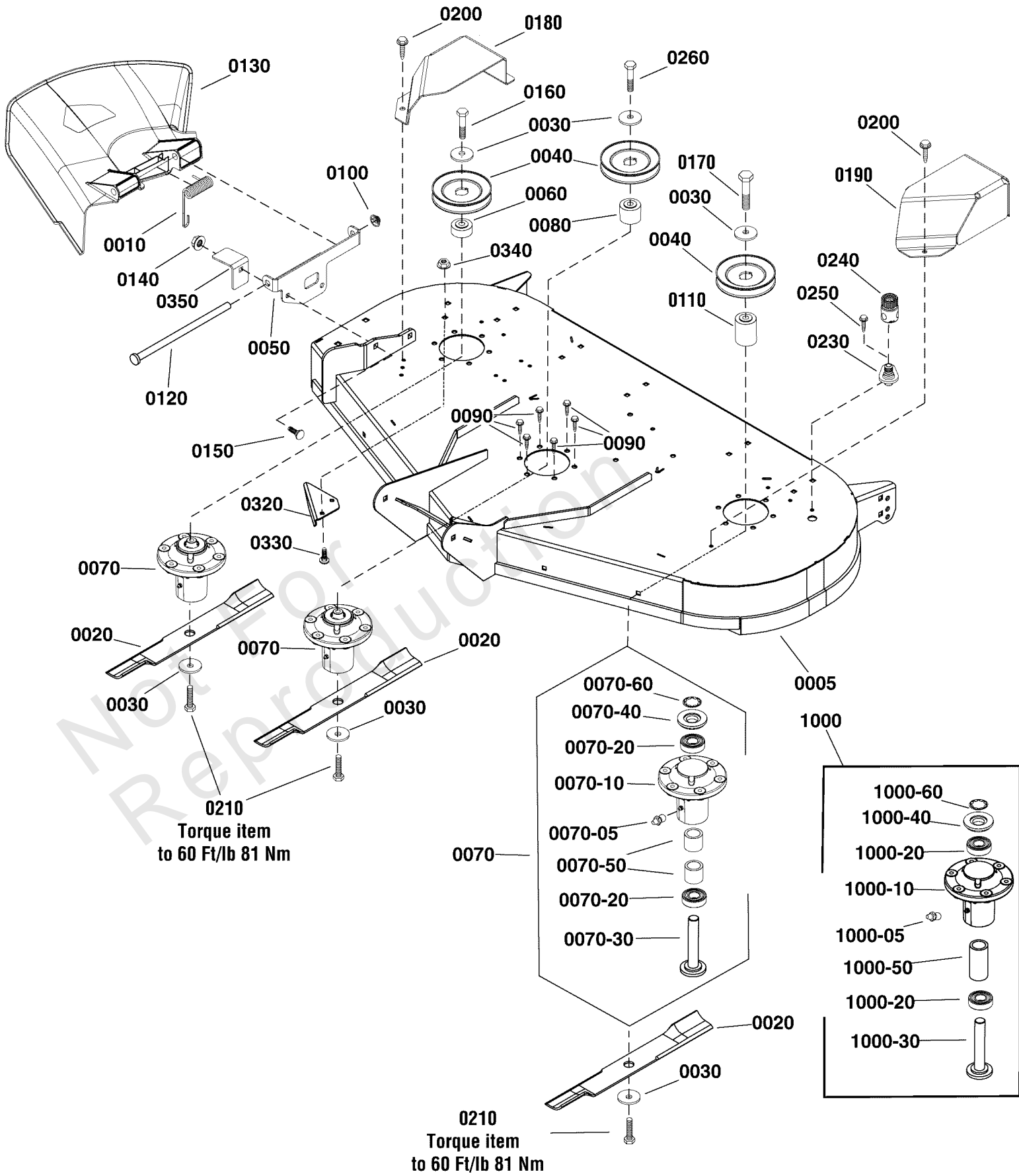
48" (122cm) Mower Deck - Clutch & Support Group

| REF NO | PART NO | QTY | DESCRIPTION |
|---------|------------|-----|---|
| 0010 | 703878 | 4 | WASHER, FLAT |
| 0020 | 2860681SM | 1 | NUT, Hex Flange, 3/8-16 |
| 0030 | 704288 | 1 | SCREW |
| 0040 | 703296 | 1 | BOLT, 5/16-18X1.5 |
| 0050 | 1710703SM | 3 | SPACER, 3/8 x 1/2 x 5/8 |
| 0060 | 1715435SM | 1 | SPRING, EXTENSION, 1. |
| 0070 | 704001 | 1 | NUT, 5/16-18 |
| 0080 | 704067 | 1 | NUT, HEX FLNG,5/16-18 |
| 0090 | 703591 | 1 | WASHER, .406X1.5X.12 |
| 0100 | 1759032YP | 1 | IDLER ARM ASSEMBLY |
| 0100-10 | 703907 | 1 | ZERK, FITTING, 1/4 |
| 0110 | 1674669SM | 1 | SPACER-0.39 IDX0.625O |
| 0120 | 703872 | 1 | SCREW |
| 0130 | 703872 | 1 | SCREW |
| 0140 | 1759044AYP | 1 | GUARD, Belt |
| 0150 | 1736540YP | 1 | PULLEY, Idler |
| 0170 | 703333 | 1 | NUT, 3/8-16 |
| 0180 | 1960339SM | 1 | NUT, Hex Flange Large, 3/8-16 |
| 0190 | 1732956SM | 1 | V-BELT, Arbor Drive, .44" A-Wedge Deep-Groove |
| 0200 | 703297 | 1 | RETAINER, GR5, 5/16 |

48" (122cm) Mower Deck - Housing, Arbors & Blades Group

Note: Unless noted otherwise, use the standard torque specifications

Mfg. No: 2691673-00



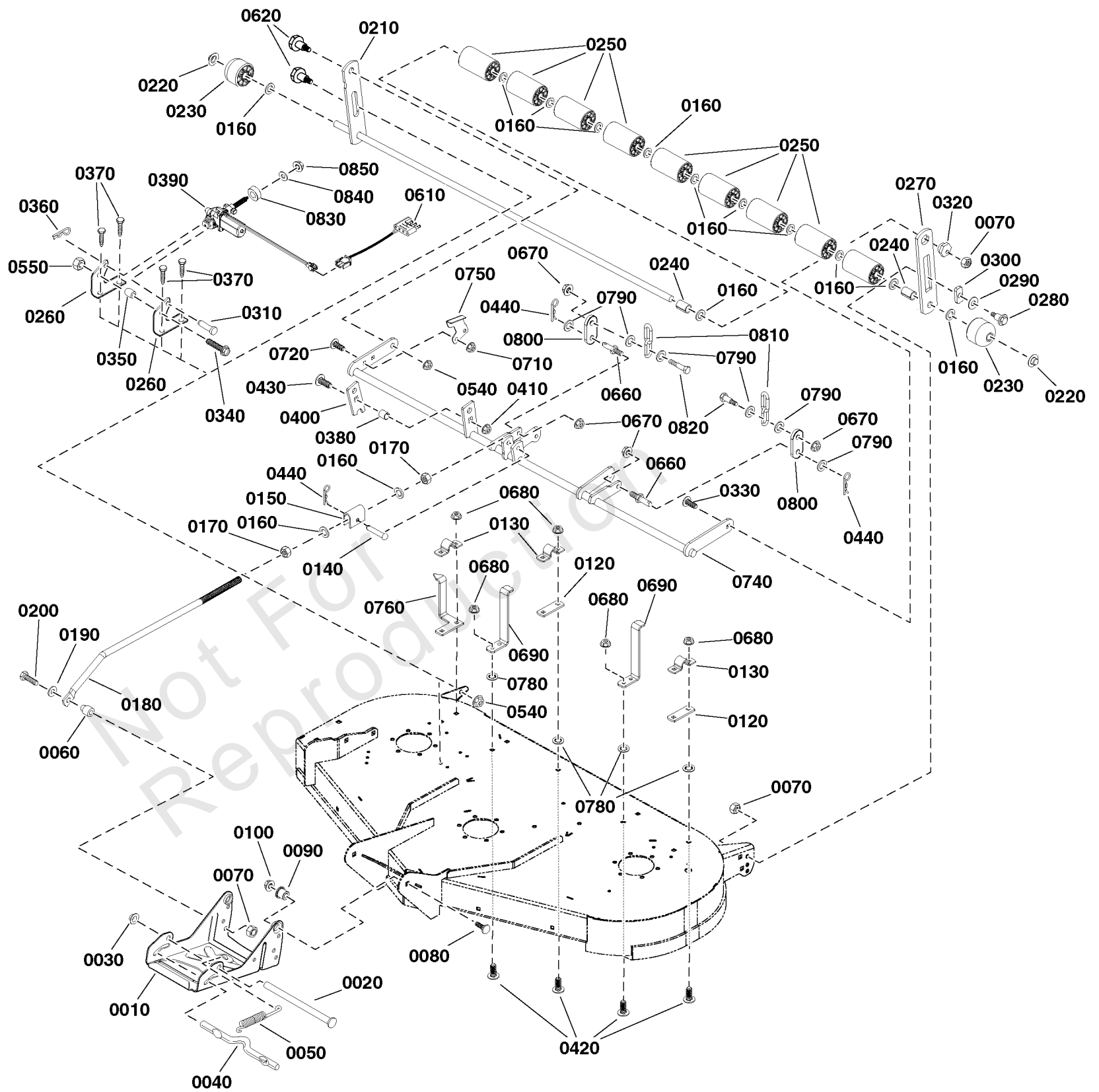
48" (122cm) Mower Deck - Housing, Arbors & Blades Group

| REF NO | PART NO | QTY | DESCRIPTION |
|---------|-------------|-----|---|
| 0005 | 708757 | 1 | HOUSING, Mower Deck, 48" (122cm) Orange |
| 0010 | 7035813SM | 1 | SPRING, TORSION, SIDE |
| 0020 | 1759055YP | 3 | BLADE, 48" (122cm) |
| 0030 | 1656916SM | 6 | WASHER, SPRING 0.475I |
| 0040 | 1732951SM | 3 | PULLEY-04.60 OD 1.000 |
| 0050 | 1758982BMYP | 1 | BRACKET, Deflector |
| 0060 | 706362 | 2 | SPACER, HUB |
| 0070 | 84001645 | 3 | ARBOR ASSEMBLY -(Replaced by Ref. Nos. 1000, this arbor assembly is an exact replacement) |
| 0070-05 | 1704314SM | 1 | LUBE FITTING, .250 DR |
| 0070-10 | 1755437YP | 1 | HOUSING, w/Lube Fitting |
| 0070-20 | 1735399YP | 2 | BEARING, Ball, 20mm |
| 0070-30 | 1760276YP | 1 | SHAFT-SPINDLE -(Replaced by Ref. Nos. 1000-30, this spindle shaft is an exact replacement) |
| 0070-40 | 1735323YP | 1 | SHIELD, Arbor |
| 0070-50 | 1735328YP | 2 | SPACER, Bearing -(Replaced by Ref. Nos. 1000-50, this spacer is an exact replacement) |
| 0070-60 | 1960766YP | 1 | RING, SELF LOCKING |
| 1000 | 84003173 | 3 | ARBOR ASSEMBLY |
| 1000-05 | 1704314SM | 1 | LUBE FITTING, .250 DR |
| 1000-10 | 84003653 | 1 | HOUSING ASSEMBLY |
| 1000-20 | 1735399YP | 2 | BEARING, Ball, 20mm |
| 1000-30 | 84003170 | 1 | SHAFT, SPINDLE |
| 1000-40 | 84003166 | 1 | COVER, ARBOR |
| 1000-50 | 84003167 | 1 | SPACER, BEARING |
| 1000-60 | 1960766YP | 1 | RING, SELF LOCKING |
| 0080 | 706363 | 1 | SPACER, HUB |
| 0090 | 704146 | 18 | SCREW, HEX, 5/16-18X1 |
| 0100 | 703179 | 1 | PUSHNUT, CAP TYPE |
| 0110 | 1759033YP | 1 | SPACER, Upper Drive |
| 0120 | 7104640YP | 1 | ROD, Deflector |
| 0130 | 7104733YP | 1 | CHUTE, SIDE DISCHARGE |
| 0140 | 703793 | 2 | LOCKNUT |
| 0150 | 703815 | 2 | BOLT, RD SQ 3/8-16X1 |
| 0160 | 1921212SM | 2 | CAPSCREW, Hex Head, 7/16-14 X 1 1/2 |
| 0170 | 705439 | 1 | CAPSCREW, Hex Head, 7/16-14 X 3 1/4 |
| 0180 | 1759101BMYP | 1 | COVER, Pulley, RH |
| 0190 | 1759103BMYP | 1 | COVER, Pulley, LH |
| 0200 | 703228 | 6 | SCREW, 5/16-18 X .75 |
| 0210 | 2820676SM | 3 | CAPSCREW-HEX HD 7/16- |
| 0230 | 1735716YP | 1 | ADAPTER, Washout Port |
| 0240 | 1756246YP | 1 | CONNECTOR, Washout Port |
| 0250 | 703235 | 1 | SCREW, 5/16-18 X 3/4 |
| 0260 | 703171 | 1 | HHCS |
| 0320 | 706368 | 1 | BAFFLE, Pinchoff |
| 0330 | 703185 | 2 | BOLT, Round Head, Short Square Neck |
| 0340 | 703115 | 2 | NUT |
| 0350 | 1758593BMYP | 1 | PROP, DEFLECTOR |

48" (122cm) Mower Deck - Support Group

Note: Unless noted otherwise, use the standard torque specifications

Mfg. No: 2691673-00



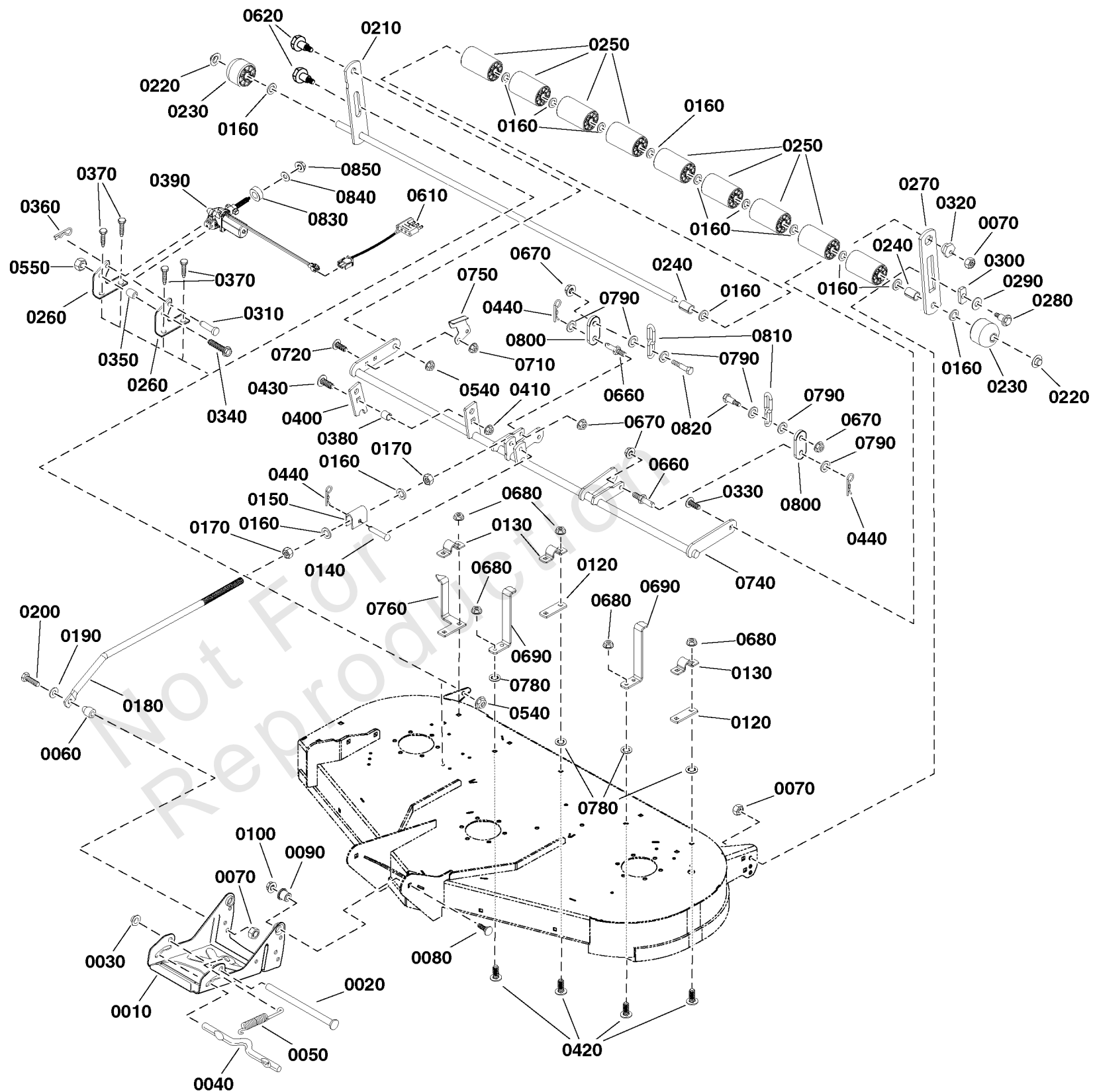
48" (122cm) Mower Deck - Support Group

| REF NO | PART NO | QTY | DESCRIPTION |
|--------|-------------|-----|---|
| 0010 | 1737563AYP | 1 | HITCH |
| 0020 | 1713578SM | 1 | ROD, 1/2" Dia., 7-5/8" Long |
| 0030 | 703179 | 1 | PUSHNUT, CAP TYPE |
| 0040 | 1715759SM | 1 | ROD, 3/8 x 8 |
| 0050 | 2156302SM | 1 | SPRING, Extension |
| 0060 | 1706644SM | 1 | SPACER, 3/8X3/4X15/16 |
| 0070 | 2860681SM | 3 | NUT, Hex Flange, 3/8-16 |
| 0080 | 7091945YP | 2 | BOLT, Carriage, Short Neck, 3/8-16 x 1-1/2 |
| 0090 | 1732443SM | 2 | SPACER, 3/8 x 3/4 x 3/4 |
| 0100 | 1919439SM | 2 | NUT, Hex Lock, ESNA LIGHT, 3/8-16 |
| 0120 | 1757527YP | 2 | SPACER, Bearing Strap |
| 0130 | 1665374BMYP | 3 | STRAP, Rocker Shaft |
| 0140 | 704241 | 1 | PIN, 0.375 X 2.00 |
| 0150 | 170664ASM | 1 | TRUNNION |
| 0160 | 703580 | 14 | WASHER, 5/8 |
| 0170 | 703912 | 2 | NUT, GRA, HEX, 5/8-11 |
| 0180 | 1757517YP | 1 | ROD, Pitch |
| 0190 | 703878 | 1 | WASHER, FLAT |
| 0200 | 1922606SM | 1 | CAPSCREW, Hex Head, 3/8-16 x 1-3/4 |
| 0210 | 1761784COYP | 1 | SHAFT, Roller, 48" |
| 0220 | 1960520SM | 2 | NUT, Push, 5/8 |
| 0230 | 1717675SM | 2 | ROLLER, .650 ID, 2.5" OD, 2.05" Long, Rounded End |
| 0240 | 1709195SM | 2 | SPACER, .66 X 7/8 X 1 1/4 |
| 0250 | 1668513SM | 9 | ROLLER, .652 ID, 2.50 OD, 4.10 LG |
| 0260 | 1758814AYP | 2 | BRACKET, Mounting |
| 0270 | 1759070AYP | 1 | SUPPORT, LH |
| 0280 | 2172622SM | 1 | BOLT, Shoulder, 3/8-16 X 1.34, 1/2 Shoulder |
| 0290 | 703451 | 1 | WASHER, FLAT |
| 0300 | 1677507SM | 1 | SLIDE, .803 x 1.7 |
| 0310 | 703063 | 1 | PIN, SHEAR |
| 0320 | 1704082SM | 1 | NUT, Hex Adjusting, 11/16 |
| 0330 | 1931352SM | 1 | BOLT, Carriage, Short Neck, 3/8-16 x 1-1/2 |
| 0340 | 704288 | 1 | SCREW |
| 0350 | 1733068SM | 1 | SPACER-0.390IDX0.750O |
| 0360 | 704039 | 1 | PIN, COTTER, 1/16X1.31 |
| 0370 | 1664847SM | 4 | SCREW, Taptite, 5/16-18 x 3/4 |
| 0380 | 1602946SM | 1 | SPACER, .66 ID |
| 0390 | 1753528SM | 1 | MOTOR, Deck Lift |
| 0400 | 1733776ASM | 1 | ARM, Rear |
| 0410 | 1960689SM | 1 | NUT, Hex, Toplock Flange, 1/2-13 |
| 0420 | 703800 | 9 | BOLT, CRRG, 5/16-18X1 |
| 0430 | 1960706SM | 1 | BOLT, Carriage, Short Neck, 1/2-13 x 2 |
| 0440 | 703300 | 3 | PIN, 3/32 X 1.6 |
| 0540 | 15X112MA | 2 | NUT.50-20 HEX FLG SER |
| 0550 | 1927557SM | 1 | NUT, Hex Flange Lock, Large, 5/16-18 |
| 0610 | 84004716 | 1 | HARNESS, Jumper |
| 0620 | 7092017YP | 2 | (C) BOLT, SHLDR, 1/2F |
| 0660 | 703816 | 2 | PIN, Threaded, Shoulder |
| 0670 | 703158 | 4 | NUT, Hex Flange, 3/8-16 |
| 0680 | 703115 | 9 | NUT |
| 0690 | 1758755AYP | 2 | UPSTOP |

48" (122cm) Mower Deck - Support Group

Note: Unless noted otherwise, use the standard torque specifications

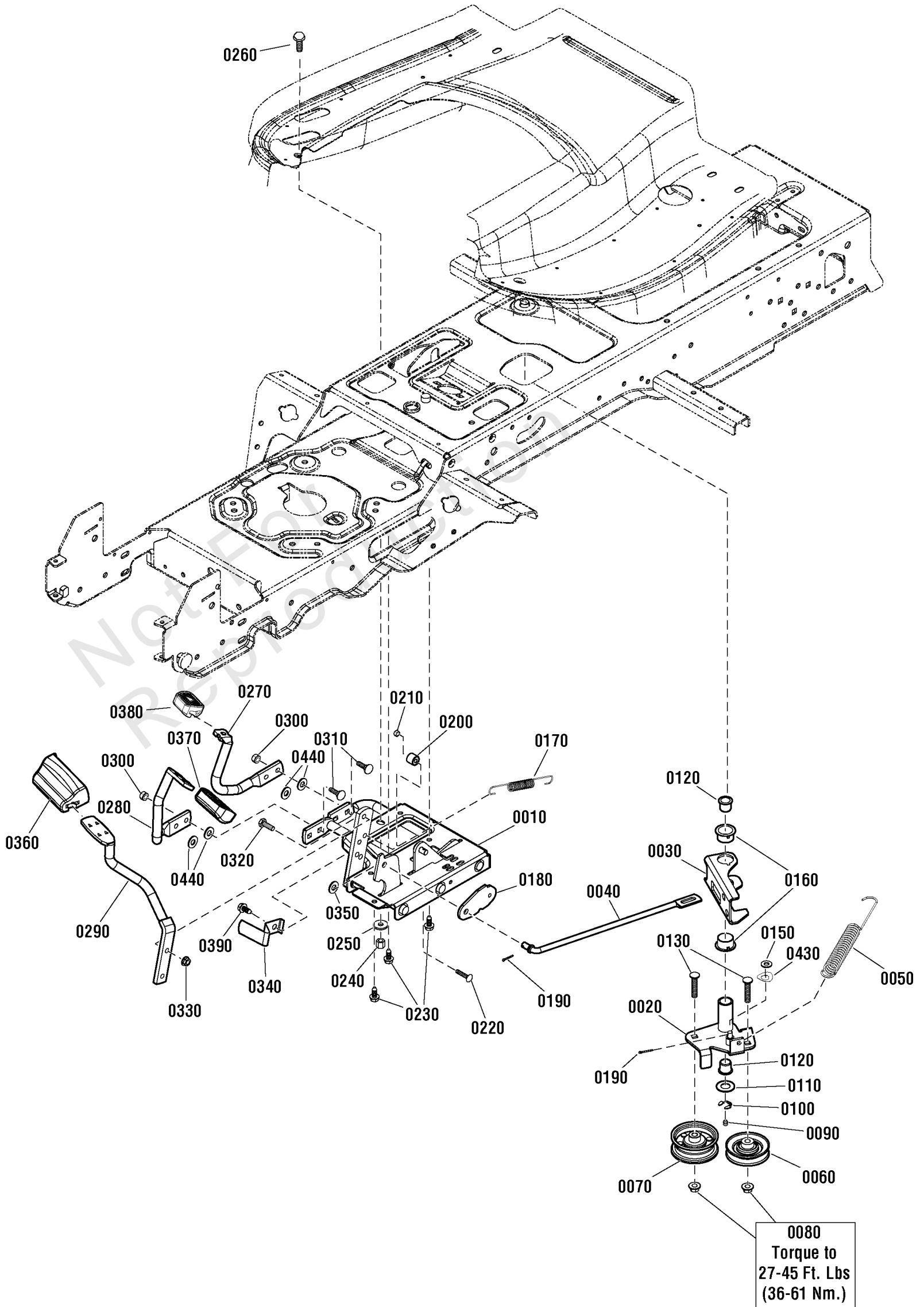
Mfg. No: 2691673-00



48" (122cm) Mower Deck - Support Group

| REF NO | PART NO | QTY | DESCRIPTION |
|--------|-------------|-----|------------------------------|
| 0710 | 703409 | 2 | NUT, 5/16-18, GR5 |
| 0720 | 703225 | 2 | BOLT |
| 0740 | 1757829AYP | 1 | WELD, Rocker Shaft |
| 0750 | 1757997AYP | 1 | BRACKET |
| 0760 | 1757998BMYP | 1 | INDICATOR, Height of Cut |
| 0780 | 703297 | 9 | RETAINER, GR5, 5/16 |
| 0790 | 703590 | 6 | WASHER, FLAT, .406 |
| 0800 | 1758923AYP | 2 | LINK, Transport |
| 0810 | 1731383ASM | 2 | CHAIN, 2 Link, 2-13/16 LG |
| 0820 | 703871 | 2 | SCREW |
| 0830 | 5044609SM | 1 | SPACER, .52 X 1.00 X |
| 0840 | 1921319SM | 1 | WASHER, 1/4, x 5/8 OD |
| 0850 | 1960757SM | 1 | NUT, Hex, 1/4-20 L.H. Thread |

Not For Reproduction



0080
Torque to
27-45 Ft. Lbs
(36-61 Nm.)

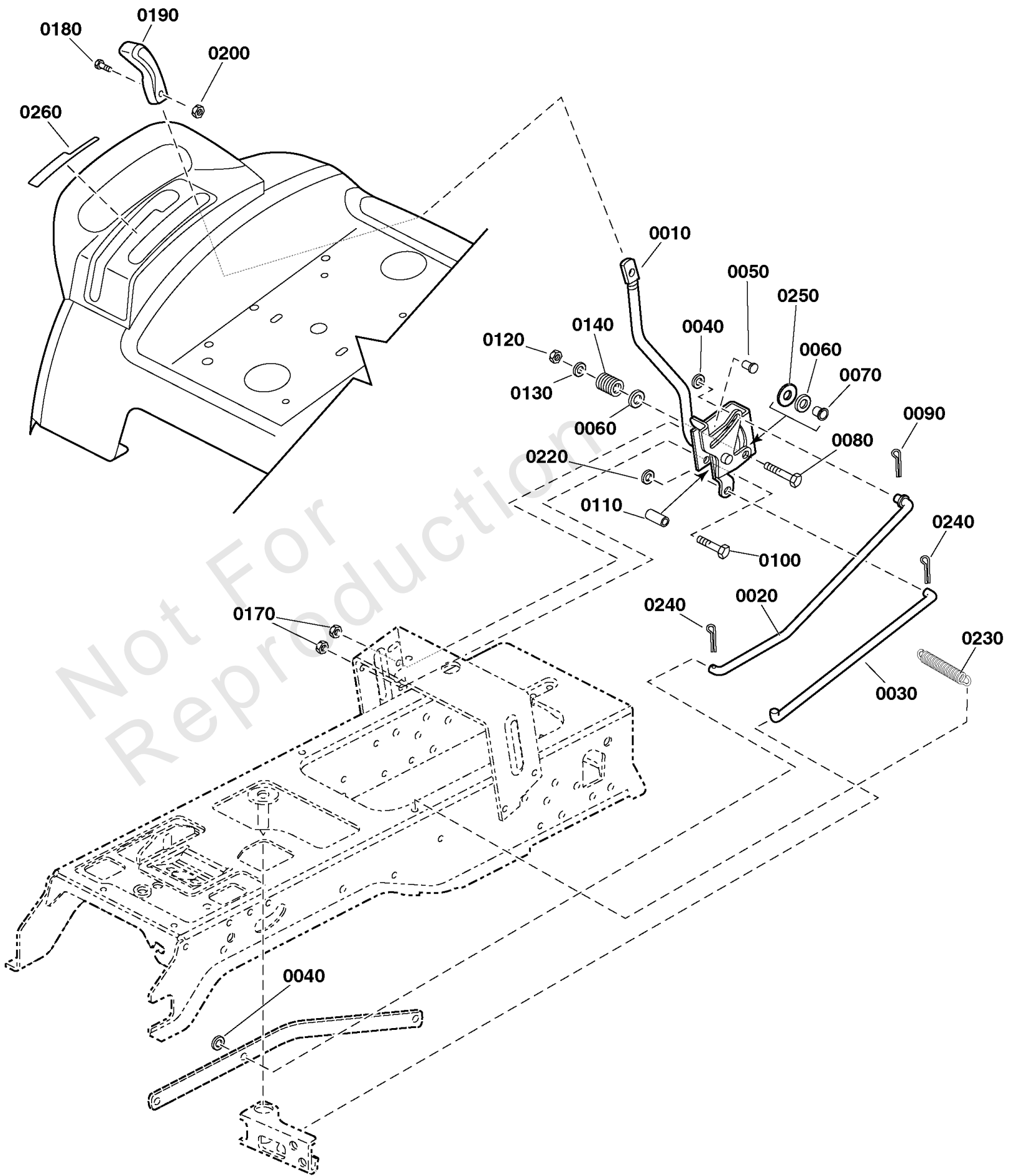
Controls Group

| REF NO | PART NO | QTY | DESCRIPTION |
|--------|-------------|-----|---|
| 0010 | 1755599AYP | 1 | FOOT PEDAL ASSEMBLY |
| 0020 | 1726882SM | 1 | IDLER ARM ASSEMBLY |
| 0030 | 1722513SM | 1 | ARM, Brake, 5.43 |
| 0040 | 1721476SM | 1 | ROD, Brake |
| 0050 | 1725250SM | 1 | SPRING, Extension, 7-3/4 |
| 0060 | 1721134SM | 1 | PULLEY, 3" OD |
| 0070 | 1721133SM | 1 | PULLEY, IDLER |
| 0080 | 1960687SM | 2 | NUT, Hex Flange, ESNA, 3/8-16 |
| 0090 | 2821133SM | 1 | FITTING, Lube |
| 0100 | 1704420SM | 1 | RING, Klipring, 5/8 |
| 0110 | 1960020SM | 1 | WASHER, Plain, 21/32 |
| 0120 | 1663114SM | 2 | BUSHING, Nylon, 5/8 ID x 3/4 OD x 3/4 |
| 0130 | 1931353SM | 2 | BOLT, Carriage, Short Neck, 3/8-16 x 1-3/4, GR5 |
| 0150 | 1919326SM | 1 | WASHER, 5/16 |
| 0160 | 1723237SM | 2 | BUSHING, Nylon, 1 x 1-1/8 x 5/8 |
| 0170 | 1721995SM | 1 | SPRING, Extension, 5/8 x 6-5/8 |
| 0180 | 1755598AYP | 1 | LATCH, Parking Brake |
| 0190 | 703312 | 2 | PIN, COTTER, 3/32X.75 |
| 0200 | 1732564SM | 1 | SPACER, 1/4 x 5/8 x 1/2 |
| 0210 | 1920397SM | 1 | NUT, Hex Lock, ESNA Light, 1/4-20 |
| 0220 | 1931320SM | 1 | BOLT, Carriage, Short Neck, 1/4-20 x 1-1/4, GR5 |
| 0230 | 703228 | 3 | SCREW, 5/16-18 X .75 |
| 0240 | 1919438SM | 1 | NUT, Hex Lock, ESNA Light, 5/8-18 |
| 0250 | 1919381SM | 1 | WASHER, 5/16 |
| 0260 | 703410 | 1 | BOLT, 5/16-18X1 |
| 0270 | 1722071ASM | 1 | PEDAL, Reverse |
| 0280 | 1722070ASM | 1 | PEDAL, Forward |
| 0290 | 1722535ASM | 1 | PEDAL, Brake |
| 0300 | 704067 | 4 | NUT, HEX FLNG, 5/16-18 |
| 0310 | 703800 | 4 | BOLT, CRRG, 5/16-18X1 |
| 0320 | 703570 | 2 | CAPSCREW, Hex Head, 5/16-18 x 1 1/4 |
| 0320 | 703570 | 2 | CAPSCREW, Hex Head, 5/16-18 x 1 1/4 |
| 0330 | 1927557SM | 2 | NUT, Hex Flange, Whiz Lock, 5/16-18 |
| 0340 | 1755620AYP | 1 | ACTUATOR, Switch |
| 0350 | 1924940SM | 1 | WASHER, 3/8 |
| 0360 | 1721577SM | 1 | PAD, Brake Pedal |
| 0370 | 1721675SM | 1 | PAD, Foot Pedal, Forward |
| 0380 | 1721674SM | 1 | PAD, Foot Pedal, Reverse |
| 0390 | 5025059X6SM | 1 | SCREW, Self Tapping, 5/16-18 x 3/4 |
| 0430 | 5023202SM | 1 | WASHER, WAVE, M10 |
| 0440 | 703878 | 4 | WASHER, FLAT |

Cruise Control Group

Note: Unless noted otherwise, use the standard torque specifications

Mfg. No: 2691673-00

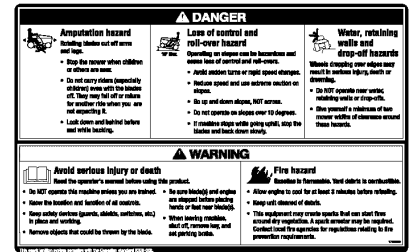
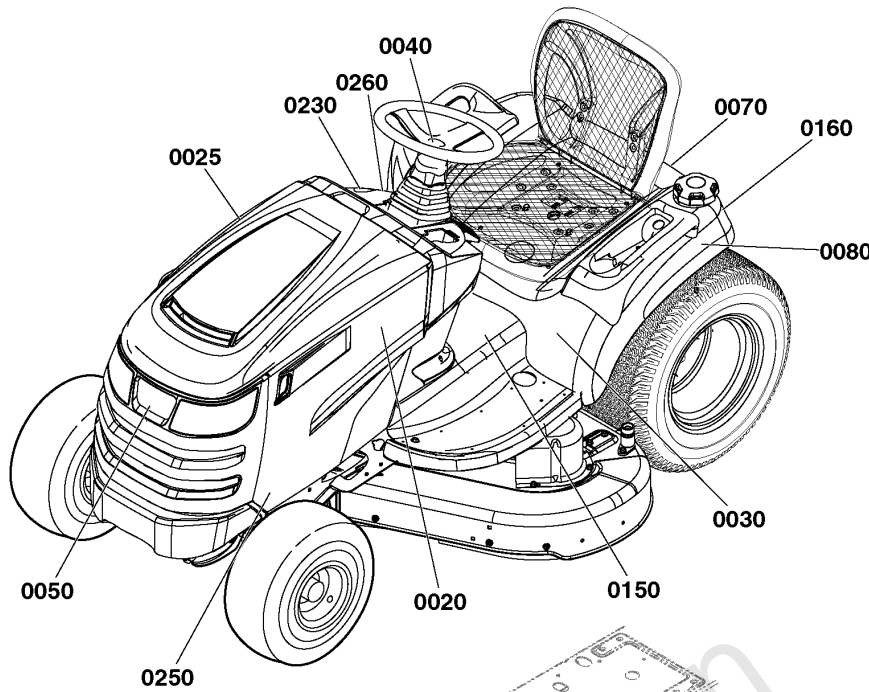


Cruise Control Group

| REF NO | PART NO | QTY | DESCRIPTION |
|--------|------------|-----|---|
| 0010 | 1722003AYP | 1 | LEVER & BRACKET ASSEMBLY, Cruise |
| 0020 | 1722117SM | 1 | ROD, Cruise |
| 0030 | 1733719SM | 1 | ROD, Neutral Return, 8" |
| 0040 | 1960103SM | 2 | WASHER, 3/8" |
| 0050 | 1931333SM | 1 | BOLT, Carriage, Short Neck, 5/16-18 x 3/4, GR 5 |
| 0060 | 2826192SM | 2 | WASHER, 1/2 |
| 0070 | 1709043SM | 1 | SPACER, w/Flange, 11/32 x 15/32 x 3/4 |
| 0080 | 1931342SM | 1 | BOLT, Carriage, Short Neck, 5/16-18 x 2-3/4, GR5 |
| 0090 | 703312 | 1 | PIN, COTTER, 3/32X.75 |
| 0100 | 1960273SM | 1 | BOLT, Carriage, Short Neck, 5/16-18 x 2-1/4, GR5 |
| 0110 | 1722080SM | 1 | SPACER, 11/32 x 5/8 x 1-13/32 |
| 0120 | 1919438SM | 1 | NUT, Hex Lock, Nylon Insert, 5/16-18 |
| 0130 | 1919381SM | 1 | WASHER, Flat, .34 ID x 1" OD |
| 0140 | 1677746SM | 1 | SPRING, Compression (Later models only) |
| 0170 | 1960636SM | 2 | NUT, Hex, 5/16-18 |
| 0180 | 1960666SM | 1 | SCREW, Torque Head Plus Socket Head, 1/4-20 x 7/8 |
| 0190 | 1722303SM | 1 | HANDLE, SHIFT |
| 0200 | 1920397SM | 1 | NUT, Hex Lock, ESNA Light, 1/4-20 |
| 0220 | 1919326SM | 1 | WASHER, 5/16 |
| 0230 | 703144 | 1 | SPRING |
| 0240 | 1722460SM | 2 | PIN, Hair |
| 0250 | 1705928SM | 1 | DISC., Friction |
| 0260 | 1723713SM | | DECAL, Crusie / Lift |

Footnotes:

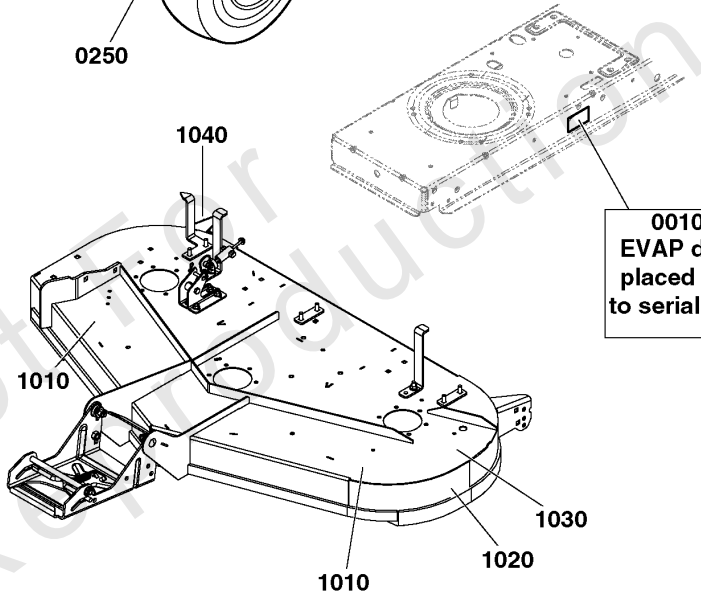
Note:* Not used on Suspension models with K 62 transmission



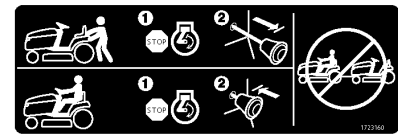
0150



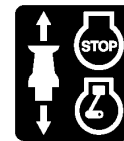
1010



0010
EVAP decal
placed next
to serial label



0160



0230



0190



0250



0260



0040



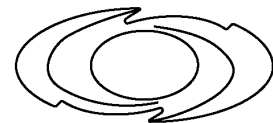
1040



0020 / 0025



0030



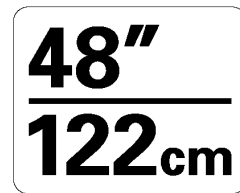
0050



0060



0070



1030



1020



0080

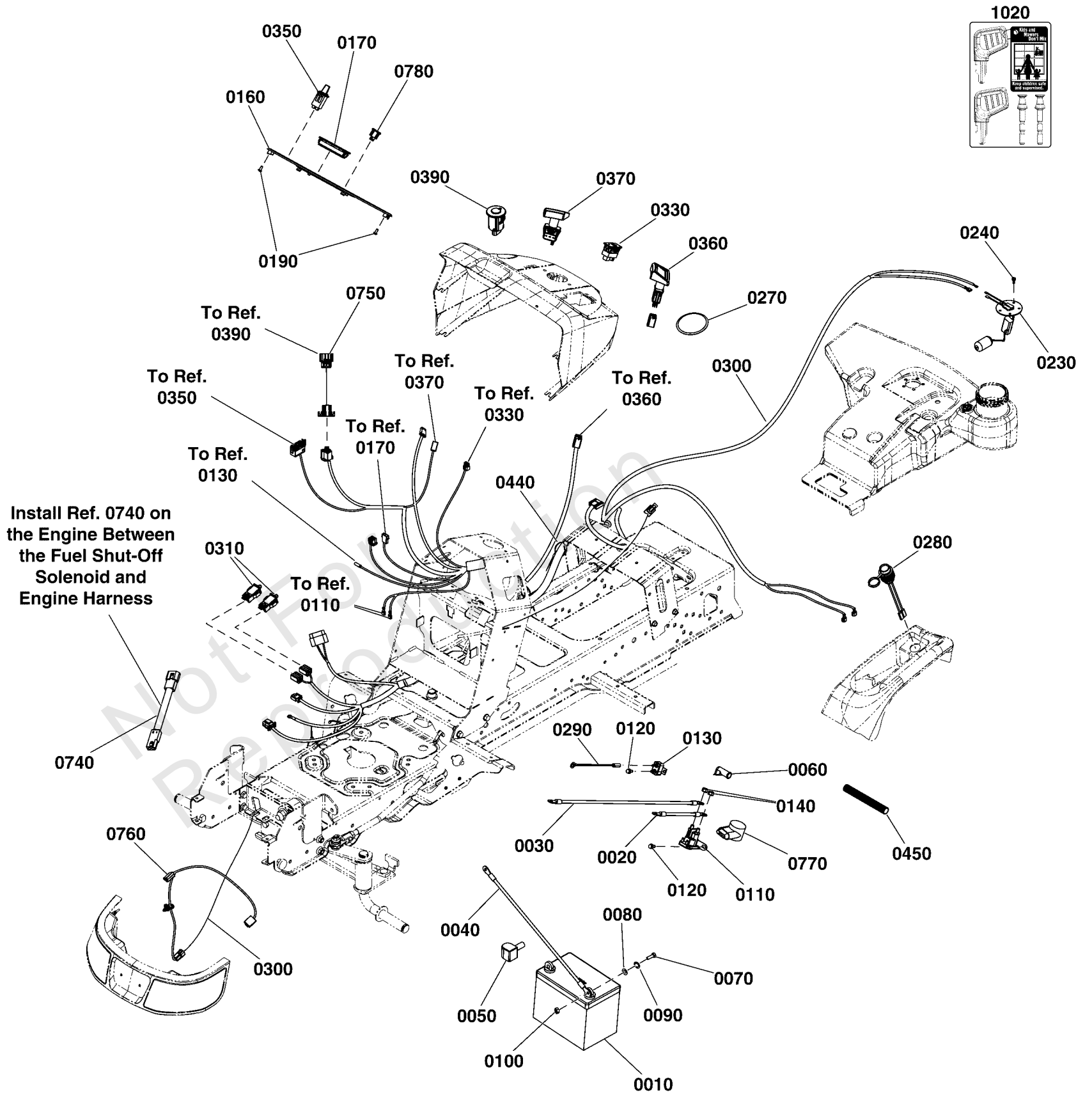
Decals Group

| REF NO | PART NO | QTY | DESCRIPTION |
|--------|-----------|-----|--|
| 0010 | ----- | 1 | DECAL, EVP, 49 State |
| 0020 | 1755902YP | 1 | DECAL, Logo, Simplicity, LH |
| 0025 | 1755903YP | 1 | DECAL, Logo, Simplicity, RH |
| 0030 | 771638 | 1 | DECAL |
| 0040 | 1755843YP | 1 | DECAL, Logo, Steering Wheel |
| 0050 | 1755798YP | 1 | DECAL, 3D, Logo, Simplicity |
| 0060 | 1757673YP | 1 | DECAL, SMI LOGO 10.47 |
| 0070 | 84004399 | 1 | DECAL, Automatic Controlled Traction |
| 0080 | 84004401 | 1 | DECAL, Power Steering |
| 0150 | 1755389YP | 1 | DECAL, Tunnel Cover Danger Slopes |
| 0160 | 1723160SM | 1 | DECAL, Transmission Release Valve |
| 0190 | 1720454SM | 1 | DECAL, Hood (Underside), Touch-Up Paint, Simplicity & AGCO-Allis |
| 0230 | 84003695 | 1 | DECAL, KEY FOB, CONTROL |
| 0250 | 1758877YP | 1 | DECAL, SCS |
| 0260 | 708806 | 1 | DECAL, Cold Start |
| 1010 | 7101665YP | 1 | DECAL, DANGER |
| 1020 | 1755726YP | 1 | DECAL, Free Floating Deck |
| 1030 | 1755719YP | 1 | DECAL, 48"/122cm |
| 1040 | 1726642SM | 1 | DECAL, Height Of Cut, 1 2 3 4 |

Electrical Group - Hourmeter

Note: Unless noted otherwise, use the standard torque specifications

Mfg. No: 2691673-00



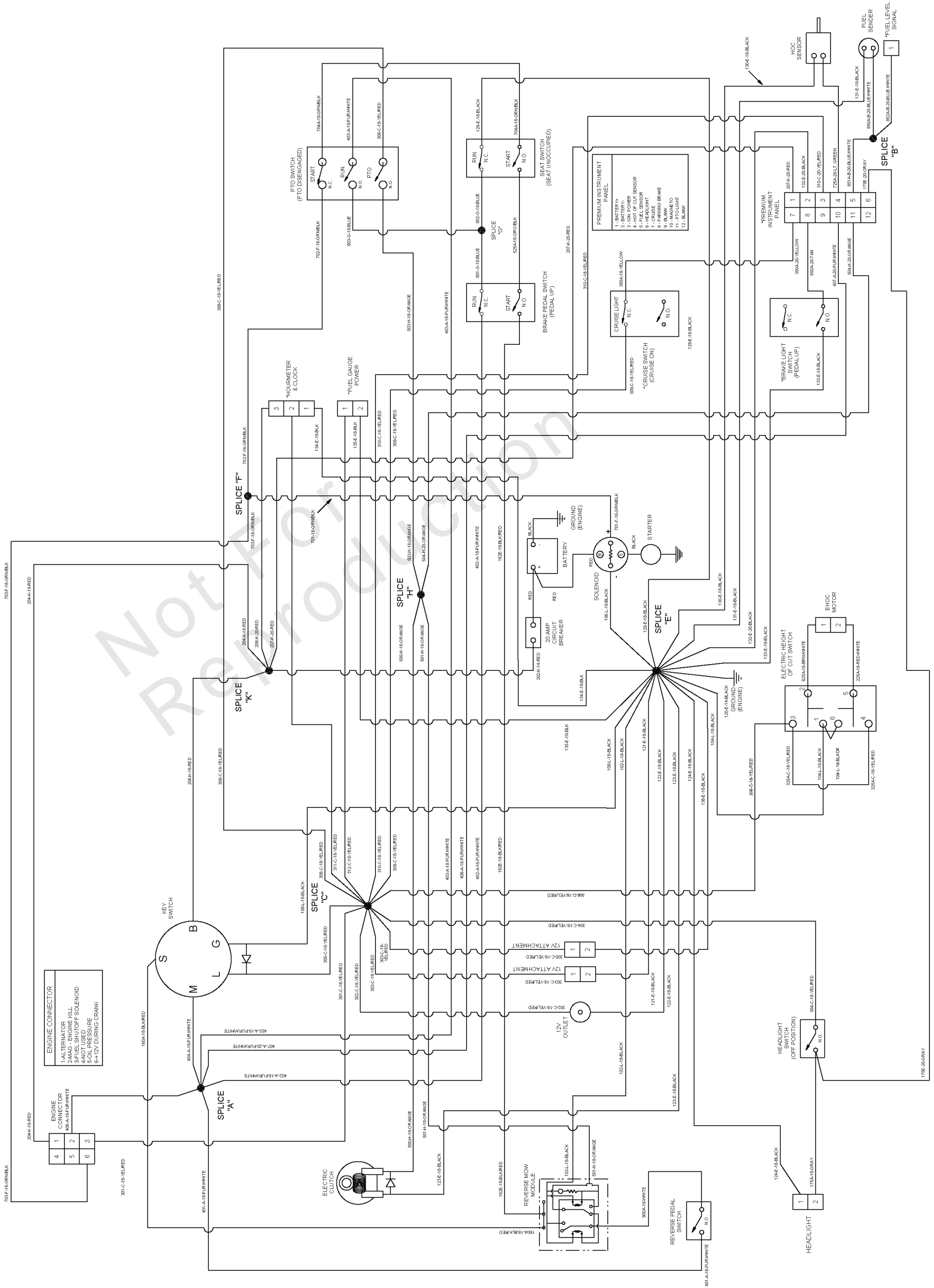
Electrical Group - Hourmeter

| REF NO | PART NO | QTY | DESCRIPTION |
|--------|-------------|-----|--|
| 0010 | ----- | 1 | BATTERY, 12 Volt, 230 CCA |
| 0020 | 1755468YP | 1 | CABLE, Electric, #6 X 8", Red |
| 0030 | 1721830SM | 1 | CABLE, #6 25.0 Lg Red |
| 0040 | 1755469YP | 1 | CABLE, Electric, #6 X 17.5", Black |
| 0050 | 1677296SM | 1 | BOOT,INSULATOR BATTER |
| 0060 | 1713535SM | 1 | BOOT, Insulator, Red |
| 0070 | 2823341SM | 1 | CAPSCREW, Hex Head, 1/4-20 x 3/4 G5 |
| 0080 | 2821319SM | 2 | WASHER, 1/4, .27 ID x .62 OD x .05 THK |
| 0090 | 71059MA | 2 | LOCKWASHER, Split, 1/4 |
| 0100 | 2816622SM | 2 | NUT, HEX 1/4-20 NC-2B YELLOW |
| 0110 | 1755381YP | 1 | SOLENOID, L-BRACKET |
| 0120 | 1925003SM | 2 | CAPSCREW, Hex Washer Head, Taptite, 1/4-20 x 1/2 |
| 0130 | 1665238SM | 1 | BREAKER-CIRCUIT |
| 0140 | 2860750SM | 2 | NUT-HEX KEPS 5/16-24 |
| 0150 | 1722009SM | 1 | STRAP, Rubber, 13" |
| 0160 | 84003724 | 1 | BEZEL, Instrument Panel |
| 0170 | 1758654YP | 1 | DISPLAY, Mini Meter |
| 0190 | 1739329YP | 2 | SCREW, PT Thread, 5mm Dia. x 12mm |
| 0230 | 1737523YP | 1 | SENDER, Fuel Tank |
| 0240 | 2860665SM | 5 | SCREW, Pan Head, Torx, 10-32 x 1/2 |
| 0270 | 1722309SM | 1 | PLUG, Hole 3", Round |
| 0280 | 1725302SM | 1 | OUTLET, 12 Volt |
| 0290 | 1665237SM | 1 | WIRE, 12 Gauge, 7.9 LG |
| 0300 | 84003739 | 1 | HARNESS, Main |
| 0310 | 7022886YP | 1 | SWITCH, DP NO/NC SNAP |
| 0330 | 1761897YP | 1 | SWITCH, Reverse Mow Option |
| 0350 | 1761475YP | 1 | SWITCH, Height of Cut |
| 0360 | 1757736YP | 1 | SWITCH, PTO |
| 0370 | 1757737YP | 1 | SWITCH, Headlight |
| 0390 | 84003613 | 1 | SWITCH ASSEMBLY, Push Button Start |
| 0440 | 703586 | 7 | TIE, SELF LOCKING |
| 0450 | 5050861X6YP | 1 | WIRE LOOM, 5/8 ID, 6" LONG |
| 0740 | 1759981YP | 1 | HARNESS, Fuel Shut Off |
| 0750 | 84003694 | 1 | ADAPTER, Harness |
| 0760 | 84003744 | 1 | HARNESS, Headlight |
| 0770 | 84004739 | 1 | BOOT, Insulator, Red |
| 0780 | 1758683YP | 1 | GAUGE, Fuel |
| 1020 | 84003869 | 1 | BLISTER PACK |

Electrical Schematic -

Note: Unless noted otherwise, use the standard torque specifications

Mfg. No: 2691673-00



Electrical Schematic -

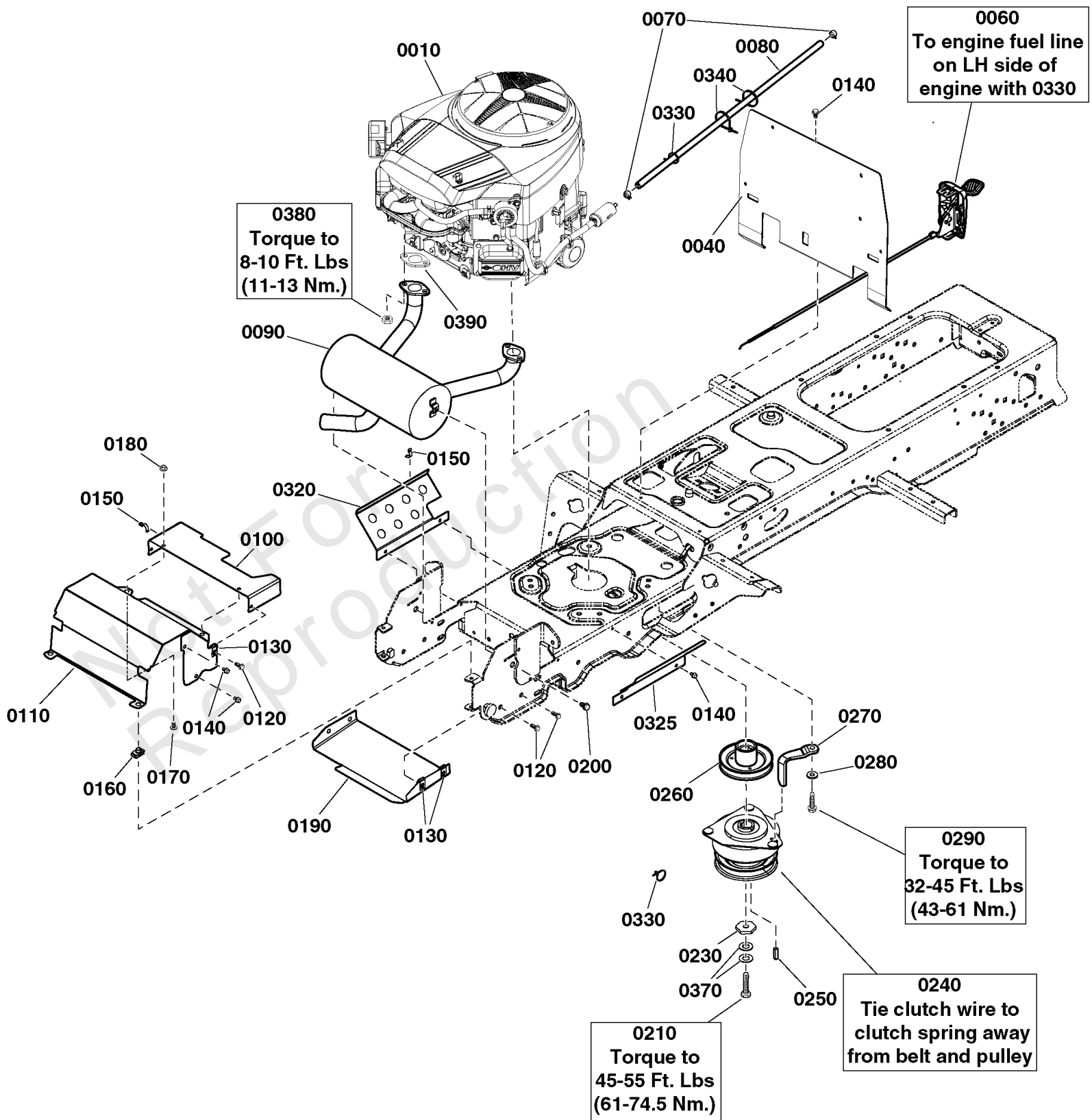
| REF NO | PART NO | QTY | DESCRIPTION |
|--------|----------|-----|---------------|
| 0010 | 84003739 | 1 | HARNESS, Main |

Not For Reproduction

Engine Group - 25 Gross HP Briggs & Stratton

Note: Unless noted otherwise, use the standard torque specifications

Mfg. No: 2691673-00



Engine Group - 25 Gross HP Briggs & Stratton

| REF NO | PART NO | QTY | DESCRIPTION |
|--------|----------------|-----|--|
| 0010 | 44S977-0047-G1 | 1 | * ENGINE, 25 Gross HP Briggs & Stratton -(Engine Model: 44S977-0047-G1) |
| 0040 | 1755854AYP | 1 | FIREWALL, Engine |
| 0060 | 1759240YP | 1 | THROTTLE |
| 0070 | 93053B | 2 | CLAMP, Hose |
| 0080 | 199086X46YP | 1 | HOSE, Fuel |
| 0090 | 1721706SM | 1 | MUFFLER, Briggs & Stratton, INTEK Twin |
| 0100 | 1722390ASM | 1 | DUCT-MUFFLER EXT-BLAC |
| 0110 | 1722389ASM | 1 | DUCT-MUFFLER TOP-BLAC |
| 0120 | 1960295SM | 6 | CAPSCREW, Hex Flange, Whiz Lock, 1/4-20 x 5/8 |
| 0130 | 1960368SM | 6 | NUT, Speed Lug Type, 1/4-20 |
| 0140 | 1927428SM | 8 | CAPSCREW, Hex Washer Head Taptite, 1/4-20 x 3/8 |
| 0150 | 703176 | 2 | CLIP, Wire |
| 0160 | 1935255SM | 2 | NUT, SPEED, 5/16-18 L |
| 0170 | 5025299X4SM | 2 | SCREW, ALLEN HEAD 1/4-20 X .500 ZINC PHOS |
| 0180 | 703233 | 2 | NUT, 1/4-20, GR5 |
| 0190 | 1722414ASM | 1 | SHIELD, Muffler Bottom |
| 0200 | 1924856SM | 2 | SCREW, Hex Washer Head, Taptite, 5/16-18 x 1/2 |
| 0210 | 771023 | 1 | CAPSCREW, Hex Head, Loctite, 7/16-20 x 3 1/2 |
| 0230 | 1708264SM | 1 | WASHER, HEX, 0.453ID |
| 0240 | 1736105SM | 1 | CLUTCH, ELECTRIC |
| 0260 | 1732576SM | 1 | PULLEY & HUB ASSEMBLY, Engine |
| 0270 | 1737421AYP | 1 | GUIDE, Belt |
| 0280 | 1924940SM | 1 | WASHER, 3/8, .41 ID x .87 OD x .08 THK |
| 0290 | 704010 | 4 | SCREW, HEX, 3/8-16 |
| 0320 | 84004681 | 1 | SHIELD, RH |
| 0325 | 1722392ASM | 1 | SHIELD, Side, Heat |
| 0330 | 2832747SM | 2 | TIE, Self Locking, 3-5/8 LG |
| 0340 | 703586 | 1 | TIE, SELF LOCKING |
| 0370 | 1960769YP | 2 | WASHER, Belleville |
| 0380 | 690941 | 1 | NUT |
| 0390 | 593676 | 1 | GASKET SET, Engine |

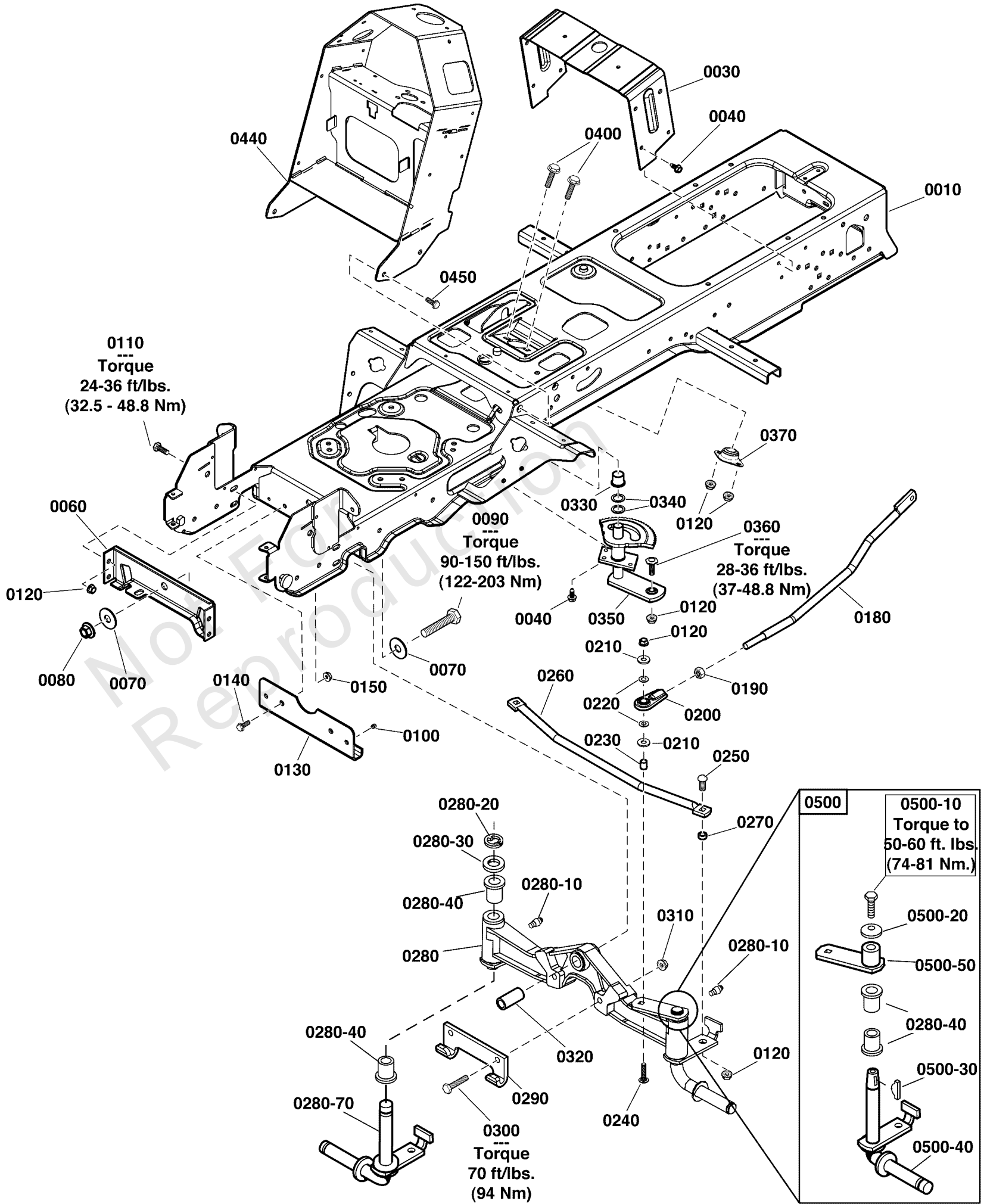
Footnotes:

Note:* To verify your specific engine model, please reference the ID Tag located on your engine. See your local Briggs & Stratton distributor for parts and service.

Frame & Front Axle Group

Note: Unless noted otherwise, use the standard torque specifications

Mfg. No: 2691673-00



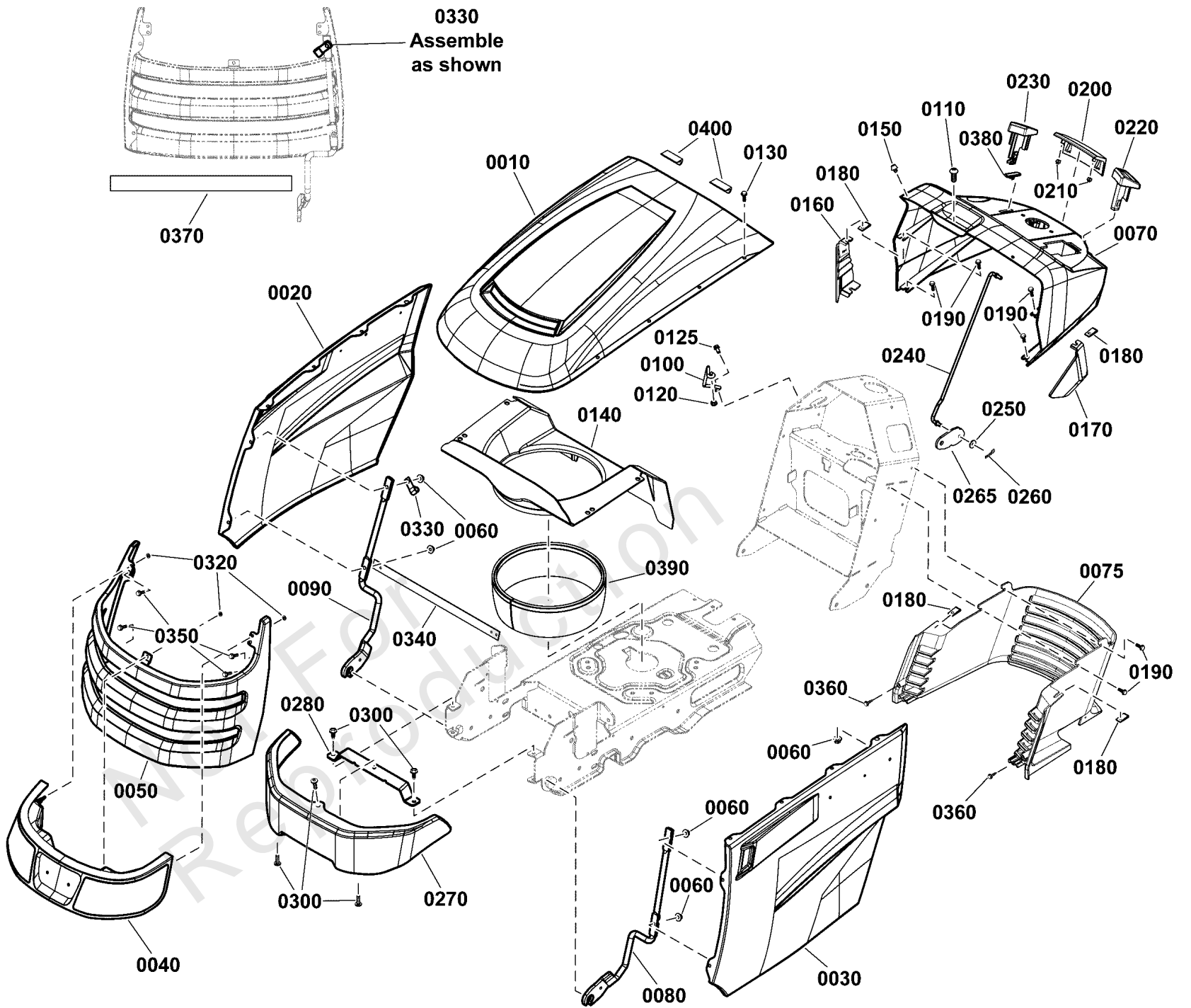
Frame & Front Axle Group

| REF NO | PART NO | QTY | DESCRIPTION |
|---------|------------|-----|---|
| 0010 | ----- | 1 | FRAME -(Not a serviceable part) |
| 0030 | 1752878AYP | 1 | SUPPORT, Seat Deck |
| 0040 | 703228 | 6 | SCREW, 5/16-18 X .75 |
| 0060 | 1722212ASM | 1 | PLATE-AXLE SUPPORT-BL |
| 0070 | 1960035SM | 2 | WASHER-0.625(0.64IDX1 |
| 0080 | 2860646SM | 1 | NUT, Hex Flange, Two Way Lock, 5/8-11 |
| 0090 | 2860645SM | 1 | CAPSCREW, Hex Head, 5/8-11 x 3-1/2, GR5 |
| 0100 | 2821133SM | 2 | FITTING, Lube |
| 0110 | 1933260SM | 4 | BOLT, Serrated Flange, 3/8-16 x 3/4, GR5 |
| 0120 | 1930645SM | 10 | NUT, Hex Flange, Two Way Lock, 3/8-16 |
| 0130 | 1724801ASM | 1 | PLATE, Axle Wear |
| 0140 | 1930591SM | 2 | SCREW, Hex Flange, Whiz Lock, 5/16-18 x 3/4 |
| 0150 | 1931277SM | 2 | NUT, Hex Flange, Whiz Lock, 5/16-18 |
| 0180 | 1722541SM | 1 | LINK, Drag |
| 0190 | 1919262SM | 1 | NUT, Hex Jam, 1/2-20 |
| 0200 | 1702779SM | 1 | JOINT-BALL .500-20 TH |
| 0210 | 704128 | 2 | WASHER |
| 0220 | 1960103SM | 2 | WASHER, 3/8" |
| 0230 | 1708236SM | 1 | SPACER, 0.377 x 1/2 x 5/8" |
| 0240 | 703858 | 1 | BOLT, 3/8-16X1.75 |
| 0250 | 1931350SM | 2 | BOLT, RD HD SH SQ NK |
| 0260 | 1722626ASM | 1 | TIE ROD |
| 0270 | 1611705SM | 2 | SPACER-0.385IDX0 |
| 0280 | 1722200ASM | 1 | AXLE ASSEMBLY, w/ LH Spindle, Complete |
| 0280-10 | 1704314SM | 3 | LUBE FITTING, .250 DR |
| 0280-20 | 2832577SM | 1 | RING, Retainer |
| 0280-30 | 703149 | 1 | WSHR |
| 0280-40 | 1721682SM | 6 | BUSHING, 1 ID x 1-1/4 OD x 3/4" |
| 0280-70 | 1722199SM | 1 | SPINDLE ASSEMBLY, RH |
| 0290 | 1721918ASM | 1 | HOOK, Mower Hitch |
| 0300 | 1927531SM | 2 | CAPSCREW-HEX HD 7/16- |
| 0310 | 1930650SM | 2 | NUT-HEX FLANGE 7/16-1 |
| 0320 | 1721752SM | 1 | SPACER, 5/8 x 1 x 2" |
| 0330 | 2176440SM | 1 | BUSHING-0.765IDX |
| 0340 | 703151 | 2 | WSHR |
| 0350 | 1724470ASM | 1 | STEERING GEAR ASSEMBLY |
| 0360 | 1960032SM | 1 | SCREW, Hex Head, 3/8-16 x 1 1/4 |
| 0370 | 1722459SM | 1 | BEARING, 3/4 x 1-11/16 x 13/16, 3" Long Housing |
| 0400 | 703407 | 2 | SCREW |
| 0440 | 84003958 | 1 | TOWER |
| 0450 | 703950 | 4 | SCREW, 3/8-16X.75 |
| 0500 | 1686985SM | 1 | SPINDLE REPLACEMENT K |
| 0500-10 | 2823485SM | 1 | CAPSCREW, 3/8-16 x 7/8, GR8 |
| 0500-20 | 1663151SM | 1 | WASHER, Spring, 3/8 |
| 0500-30 | 2830671SM | 1 | KEY, Woodruff |
| 0500-40 | 1724264SM | 1 | SPINDLE, LH |
| 0500-50 | 1725112SM | 1 | HUB & ARM ASSEMBLY |

Hood, Grille & Dash Group

Note: Unless noted otherwise, use the standard torque specifications

Mfg. No: 2691673-00



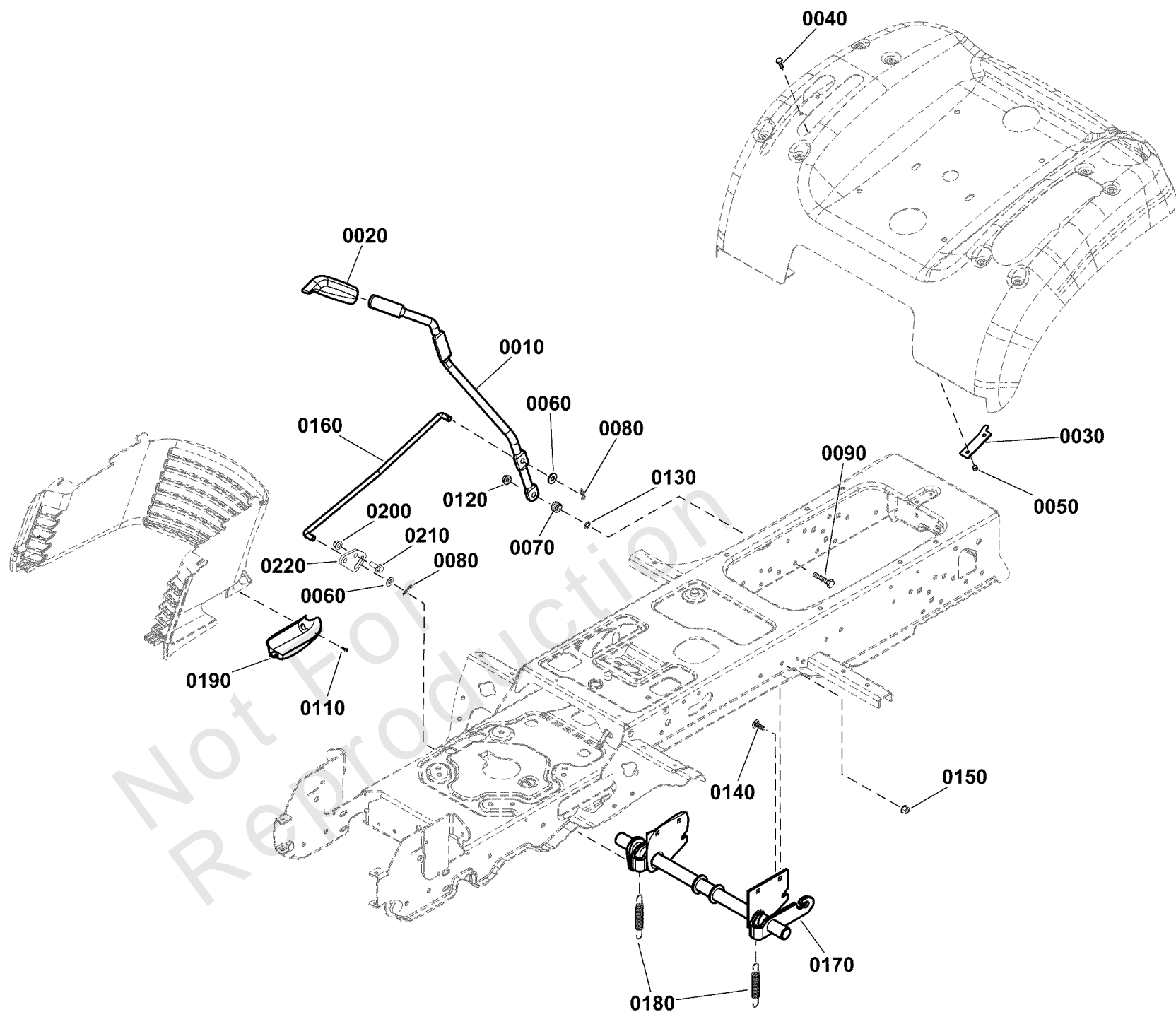
Hood, Grille & Dash Group

| REF NO | PART NO | QTY | DESCRIPTION |
|--------|------------|-----|--|
| 0010 | 1754921CYP | 1 | HOOD, Top |
| 0020 | 1754925CYP | 1 | PANEL, Side, RH |
| 0030 | 1754924CYP | 1 | PANEL, Side, LH |
| 0040 | 1754936YP | 1 | HEADLIGHT ASSEMBLY (LED) |
| 0050 | 1754922CYP | 1 | GRILLE, Front |
| 0060 | 1930641SM | 12 | NUT, Hex Flange, Whiz Lock, 1/4-20 |
| 0070 | 84003728 | 1 | DASH, Upper |
| 0075 | 1754859YP | 1 | DASH, Lower |
| 0080 | 1755578YP | 1 | HOOD HINGE ASSEMBLY, LH |
| 0090 | 1755577YP | 1 | HOOD HINGE ASSEMBLY, RH |
| 0100 | 84003727 | 1 | ROD, Dash Support |
| 0110 | 770135 | 1 | SCREW |
| 0120 | 703463 | 1 | NUT, GR5, 1/4-20 |
| 0125 | 704130 | 1 | SCREW, HEX, 1/4-20X.5 |
| 0130 | 1960295SM | 8 | SCREW, Hex Flange, Whiz Lock, 1/4-20 x 5/8 |
| 0140 | 7102326YP | 1 | AIR DUCT, Plenum |
| 0150 | 1755815YP | 2 | BUMPER, Rubber |
| 0160 | 1755223YP | 1 | GUIDE, Hood, RH |
| 0170 | 1755224YP | 1 | GUIDE, Hood, LH |
| 0180 | 1926018SM | 4 | NUT, Speed, 1/4 |
| 0190 | 703054 | 8 | SCREW, 1/4-20X0.625 |
| 0200 | 1754918YP | 1 | TRIM |
| 0210 | 703582 | 2 | CLIP, Panel |
| 0220 | 1755457YP | 1 | PLUG, Dash Knob |
| 0230 | 1754862YP | 1 | KNOB, Parking Brake |
| 0240 | 1755594YP | 1 | ROD, Parking Brake |
| 0250 | 1921319SM | 1 | WASHER, 184 |
| 0260 | 1722460SM | 1 | PIN, Quick, 1.19" |
| 0265 | 1755598AYP | 1 | LATCH, Parking Brake |
| 0270 | 1754923AYP | 1 | BUMPER |
| 0280 | 1755506AYP | 1 | SUPPORT, Front Bumper |
| 0300 | 703228 | 5 | SCREW, 5/16-18 X .75 |
| 0310 | 1751237YP | 1 | SEAL, Foam |
| 0320 | 1960521SM | 3 | NUT, Push |
| 0330 | 7012652YP | 2 | CLIP, Wire, 7/16 |
| 0340 | 1756204AYP | 1 | STRIP, Hood Support |
| 0350 | 1960611SM | 4 | SCREW-HEX WZ LOCK FL |
| 0360 | 1960536SM | 2 | SCREW, HEX WSHR HD PL |
| 0370 | 1758731YP | 1 | INSULATION, 2 x 12 1/2 |
| 0380 | 84003730 | 1 | COVER |
| 0390 | 84004638 | 1 | SEAL, Hood Shroud |
| 0400 | 84004684 | 1 | SEAL, Edging |

Lift Group, Broadmoor

Note: Unless noted otherwise, use the standard torque specifications

Mfg. No: 2691673-00



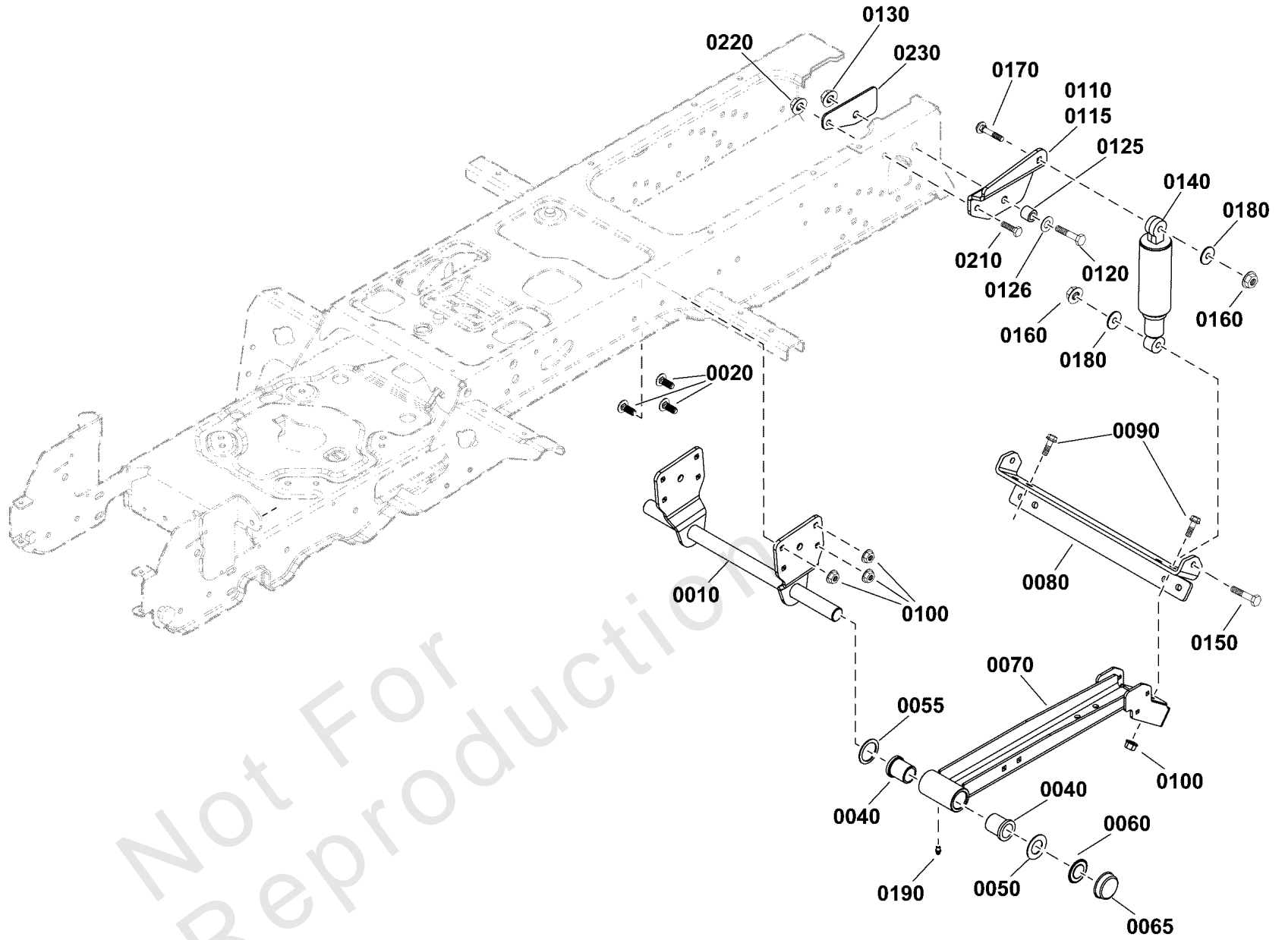
Lift Group, Broadmoor

| REF NO | PART NO | QTY | DESCRIPTION |
|--------|------------|-----|--|
| 0010 | 1722024ASM | 1 | ROD, Lift Lever with Flats |
| 0020 | 1722302SM | 1 | GRIP |
| 0030 | 1722284ASM | 1 | QUADRANT, Lift Lever |
| 0040 | 1923341SM | 2 | CAPSCREW, Hex Head, 1/4-20 x 3/4, G5 |
| 0050 | 1920397SM | 2 | NUT, Hex Lock, ESNA Light, 1/4-20 |
| 0060 | 1924940SM | 2 | WASHER, 3/8, .41 ID x .87 OD x .08 THK |
| 0070 | 2162085SM | 1 | SPRING, Compression |
| 0080 | 1722460SM | 2 | PIN, Hair |
| 0090 | 1923701SM | 1 | CAPSCREW, Hex Head, 3/8-16 x 2, GR5 |
| 0110 | 1739329YP | 1 | SCREW, PT Thread, 5mm Dia. x 12mm |
| 0120 | 1930645SM | 1 | NUT, Hex Flange, Two Way Lock, 3/8-16 |
| 0130 | 5025472YP | 1 | PUSHNUT, Bolt Retainer, 3/8 |
| 0140 | 703185 | 4 | BOLT, Round Head, Short Square Neck |
| 0150 | 1960686SM | 4 | NUT, Hex Flange Nylock, 5/16-18 |
| 0160 | 1725638SM | 1 | ROD, Lift, 15" |
| 0170 | 1755557AYP | 1 | LIFT SHAFT ASSEMBLY |
| 0180 | 2156302SM | 2 | SPRING, Extension |
| 0190 | 1755441YP | 1 | PLUG, Dash Lift |
| 0200 | 704038 | 2 | SCREW |
| 0210 | 703158 | 2 | NUT, Hex Flange, 3/8-16 |
| 0220 | 84006506 | 2 | PLATE |

Rear Suspension Group

Note: Unless noted otherwise, use the standard torque specifications

Mfg. No: 2691673-00



Rear Suspension Group

| REF NO | PART NO | QTY | DESCRIPTION |
|--------|--------------|-----|---|
| 0010 | 84004261 | 1 | CARRIER SUPPORT |
| 0020 | 1931334SM | 6 | BOLT, Carriage, Short Neck, 5/16-18 x 7/8, GR5 |
| 0040 | 5021541SM | 4 | BUSHING, FLANGE |
| 0050 | 703199 | 2 | WASHER, 1 |
| 0055 | 84004830 | 2 | WASHER, 1" |
| 0060 | 703200 | 2 | PUSHNUT |
| 0065 | 094618MA | 2 | HUB CAP |
| 0070 | 84004828 | 2 | CARRIER ARM ASSEMBLY |
| 0080 | 1754642AYP | 1 | BRACKET, Support, Rear Swing Arm |
| 0090 | 703410 | 8 | BOLT,5/16-18X1 |
| 0100 | 1960686SM | 14 | NUT, Hex Flange, ESNA, 5/16-18 |
| 0110 | 1754646AYP | 1 | BRACKET, Shock Mount, RH -(Not Shown) |
| 0115 | 1755430AYP | 1 | BRACKET, Shock Mount, LH |
| 0120 | 5025017X16YP | 2 | BOLT, 1/2-13 X 2 GD5 |
| 0125 | 703450 | 2 | SPACER |
| 0126 | 1926192SM | 2 | WASHER-0.500(0.56IDX1 |
| 0130 | 2860668SM | 2 | NUT, Hex Flange, Two Way Lock, 1/2-13 |
| 0140 | 1755531YP | 2 | *ABSORBER, Shock |
| 0140 | 1758705YP | 2 | SHOCK ABSORBER, 10.5" |
| 0150 | 1921971YP | 2 | CAPSCREW, Hex Head, 3/8-16 x 1-3/4 GR5 |
| 0160 | 1960687SM | 4 | NUT, Hex Flange, ESNA, 3/8-16 |
| 0170 | 1931353SM | 2 | BOLT, Carriage, Short Neck, 3/8-16 x 1-3/4, GR5 |
| 0180 | 5025165SM | 4 | WASHER, 3/8" FENDER |
| 0190 | 1704314SM | 2 | LUBE FITTING, .250 DR |
| 0210 | 703407 | 2 | SCREW |
| 0220 | 1928352SM | 2 | NUT, Hex Flange, Whiz Lock, 3/8-16, GR5 |
| 0230 | 1755627AYP | 2 | PLATE, Shock Mount |

Footnotes:

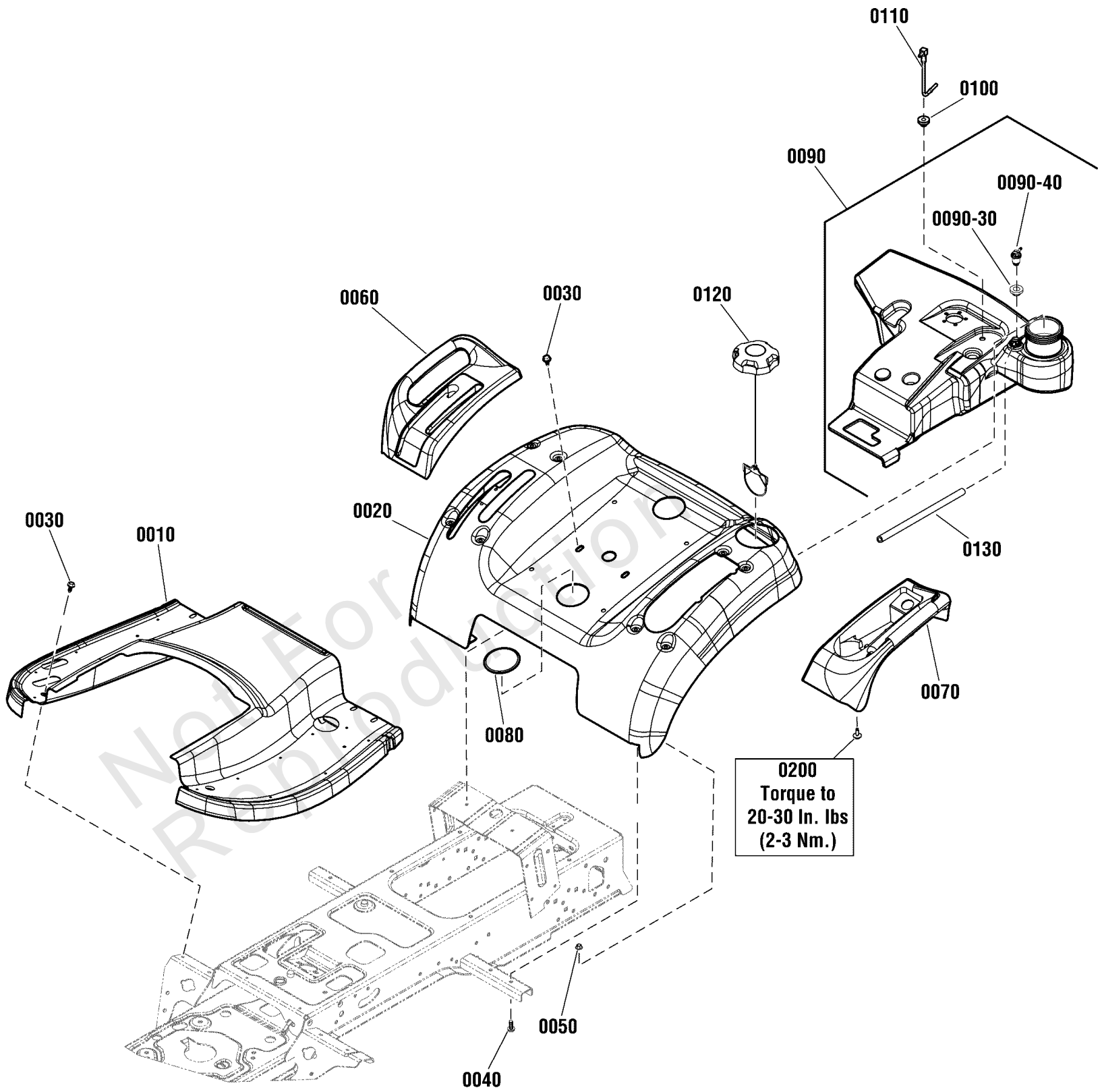
Note:** Spring Rate 160lbs / 59.7kg +/- 10lbs / 3.7kg

Note:* Spring Rate 125lbs / 46.7kg +/- 10lbs / 3.7kg

Seat Deck Group

Note: Unless noted otherwise, use the standard torque specifications

Mfg. No: 2691673-00



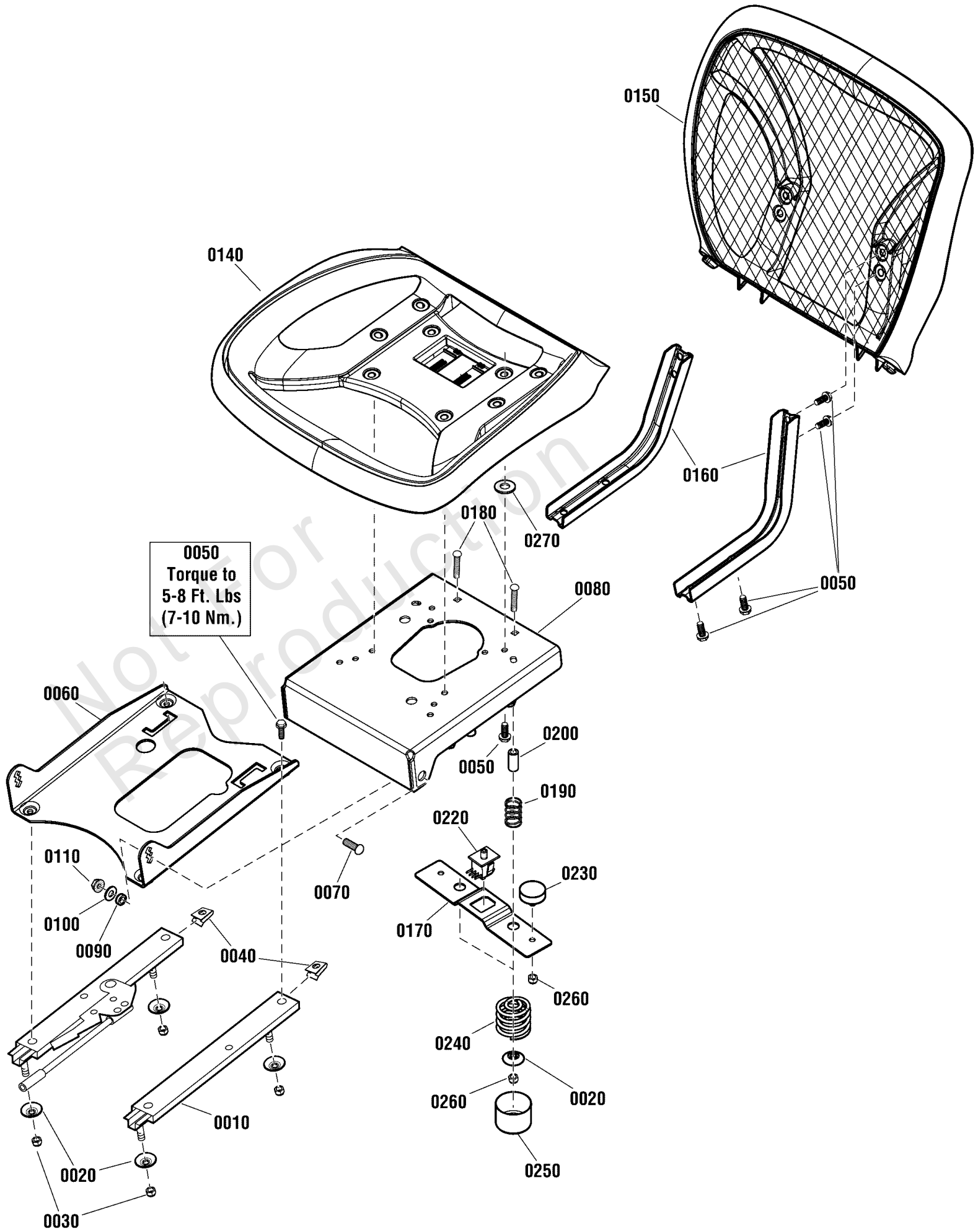
Seat Deck Group

| REF NO | PART NO | QTY | DESCRIPTION |
|---------|------------|-----|---|
| 0010 | 1722105CSM | 1 | TUNNEL |
| 0020 | 1722106CSM | 1 | DECK, Seat |
| 0030 | 703949 | 4 | SCREW, 5/16-18.625 |
| 0040 | 1930595SM | 4 | SCREW, Hex Flange, Whiz Lock, 5/16-18 x 1 1/4 |
| 0050 | 1931277SM | 4 | NUT, Hex Flange, Whiz Lock, 5/16-18 |
| 0060 | 1722108SM | 1 | POD, RH |
| 0070 | 1729711SM | 1 | POD, With Cup Holder, LH |
| 0080 | 1722309SM | 1 | PLUG, Hole |
| 0090 | 1751622YP | 1 | TANK, Fuel -(Includes item Nos. 0090-30 & 0090-40) |
| 0090-30 | 799624 | 1 | GROMMET |
| 0090-40 | 7104638YP | 1 | VENT, Remote |
| 0100 | 1654930SM | 1 | BUSHING, Fuel Tank |
| 0110 | 1757609YP | 1 | TUBE, FUEL PICKUP |
| 0120 | 1759036YP | 1 | FUEL CAP |
| 0130 | 708734 | 1 | HOSE, Vapor |
| 0200 | 2860664SM | 8 | SCREW, HEX SEMS WSHR, |

Seat Group

Note: Unless noted otherwise, use the standard torque specifications

Mfg. No: 2691673-00



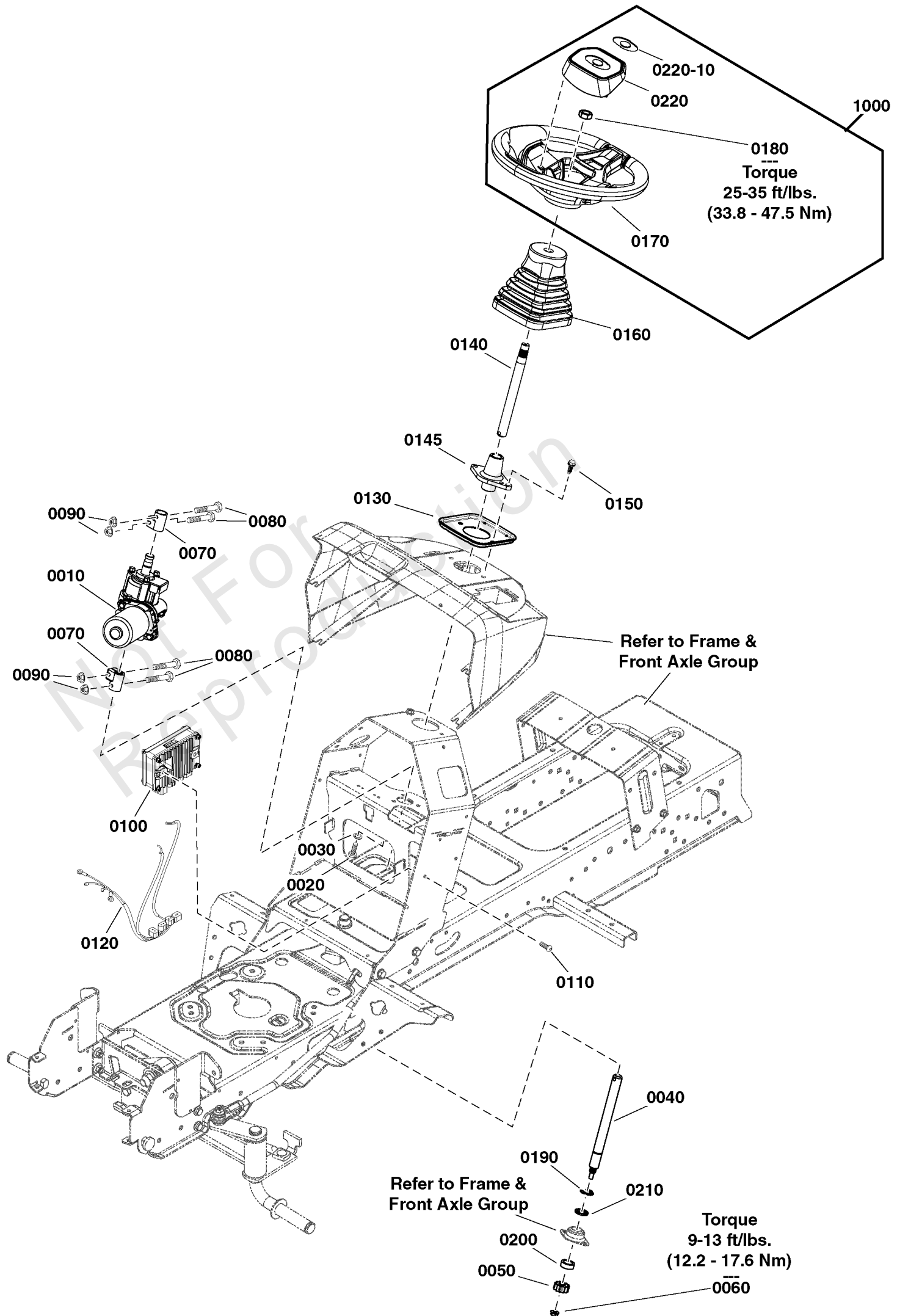
Seat Group

| REF NO | PART NO | QTY | DESCRIPTION |
|--------|------------|-----|---|
| 0010 | 1722356SM | 1 | SLIDE, Seat |
| 0020 | 1709256SM | 6 | WASHER, Spring, 5/16 x 1 1/4 |
| 0030 | 1919438SM | 4 | NUT, Hex Lock, ESNA Light, 5/8-18 |
| 0040 | 1935255SM | 4 | NUT, SPEED, 5/16-18 L |
| 0050 | 1930591SM | 16 | SCREW, Hex Flange, Whiz Lock, 5/16-18 x 3/4 |
| 0060 | 1722128ASM | 1 | SUPPORT, Seat |
| 0070 | 1931350SM | 2 | BOLT, RD HD SH SQ NK |
| 0080 | 1755623AYP | 1 | BRACKET, Seat Support |
| 0090 | 1663752SM | 2 | SPACER, 25/64 x 5/8 x 3/16 |
| 0100 | 1924940SM | 2 | WASHER, 3/8 |
| 0110 | 1930645SM | 2 | NUT, Hex Flange, Two Way Lock, 3/8-16 |
| 0140 | 1738013YP | 1 | SEAT, Mesh, Bottom |
| 0150 | 1738014YP | 1 | SEAT, Mesh, Back |
| 0160 | 1737848AYP | 2 | SUPPORT, Mesh Seat |
| 0170 | 1756190AYP | 1 | BRACKET, Switch, Seat |
| 0180 | 1931339SM | 2 | BOLT, Carriage, Short Neck, 5/16-18 x 2 GR5 |
| 0190 | 1756196YP | 2 | SPRING, Compression |
| 0200 | 5041931SM | 2 | SPACER, .38 X .50 X 1 |
| 0220 | 5101280YP | 1 | SWITCH, LOW PROF, NC/ |
| 0230 | 1726390SM | 2 | BUMPER, Rubber |
| 0240 | 1704728SM | 2 | SPRING, Compression, 2" |
| 0250 | 1704724SM | 2 | COVER, Spring |
| 0260 | 1960686SM | 2 | NUT, Hex Flange, 5/16-18 |
| 0270 | 703591 | 4 | WASHER, .406X1.5X.12 |

Steering Group - Power Steering

Note: Unless noted otherwise, use the standard torque specifications

Mfg. No: 2691673-00



Steering Group - Power Steering

| REF NO | PART NO | QTY | DESCRIPTION |
|---------|-----------|-----|--|
| 0010 | 84003790 | 1 | POWER STEERING ASSEMBLY |
| 0020 | 84004772 | 3 | CAPSCREW, Hex Head, M8-1.25 x 18mm |
| 0030 | 703116 | 3 | LCKWSHR |
| 0040 | 84003779 | 1 | SHAFT |
| 0050 | 1761013YP | 1 | GEAR, Pinion |
| 0060 | 703115 | 1 | NUT |
| 0070 | 84003758 | 2 | COUPLING |
| 0080 | 703234 | 4 | CAPSCREW, 1/4-20X1.5 |
| 0090 | 703463 | 4 | NUT, GR5,1/4-20 |
| 0100 | 84003760 | 1 | CONTROLLER |
| 0110 | 84004773 | 2 | CAPSCREW, Button Head |
| 0120 | 84003766 | 1 | HARNESS |
| 0130 | 84003729 | 1 | PLATE, Steering Mount |
| 0140 | 84003753 | 1 | SHAFT |
| 0145 | 84003731 | 1 | SUPPORT, Upper Shaft |
| 0150 | 704146 | 2 | SCREW, HEX, 5/16-18X1 |
| 0160 | 1755550YP | 1 | BELLOWS, Steering Cover |
| 0170 | ----- | 1 | STEERING WHEEL -(Refer to Note: *) |
| 0180 | 1960576SM | 1 | NUT, Hex Lock, ESNA Light, 5/8-18 |
| 0190 | 1611710SM | 1 | RING, Klipring, For 3/4 Dia. Shaft |
| 0200 | 1722461SM | 1 | SPACER, 3/4 x 1-1/16 x 3/8, Powder Metal |
| 0210 | 706388 | 1 | SPACER, .766 x 1.06 x 1/8 |
| 0220 | 84003162 | 1 | CAP, Steering Wheel, Simplicity |
| 0220-10 | 1755843YP | 1 | DECAL, Logo, Steering Wheel |
| 1000 | 84001122 | | KIT, Steering Wheel, Simplicity -(Incl. Ref. Nos. 0170, 0180, 0220 & 0220-10) |

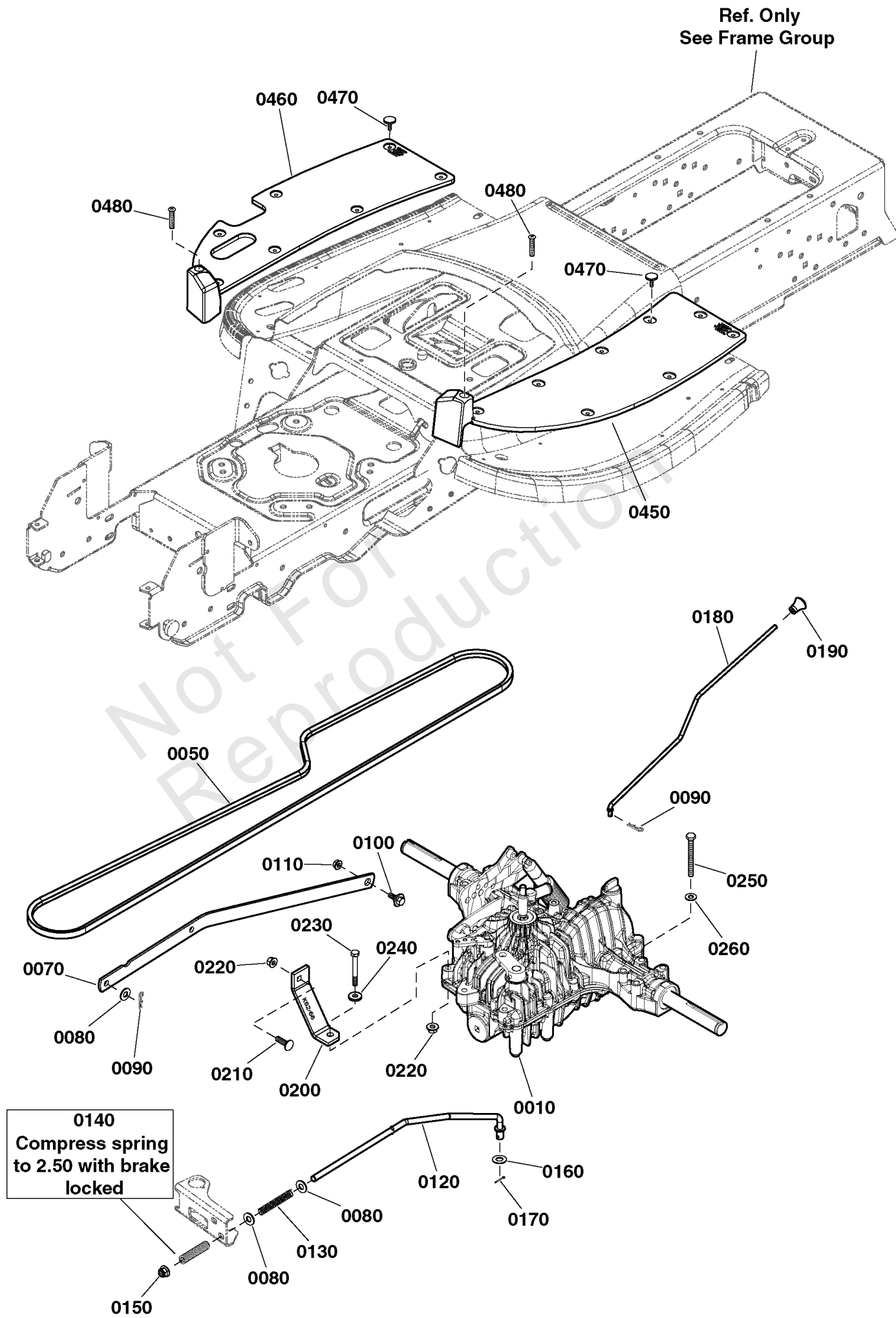
Footnotes:

Note:* Not a serviceable part.

Transmission Group - Tuff Torq K62AC

Note: Unless noted otherwise, use the standard torque specifications

Mfg. No: 2691673-00



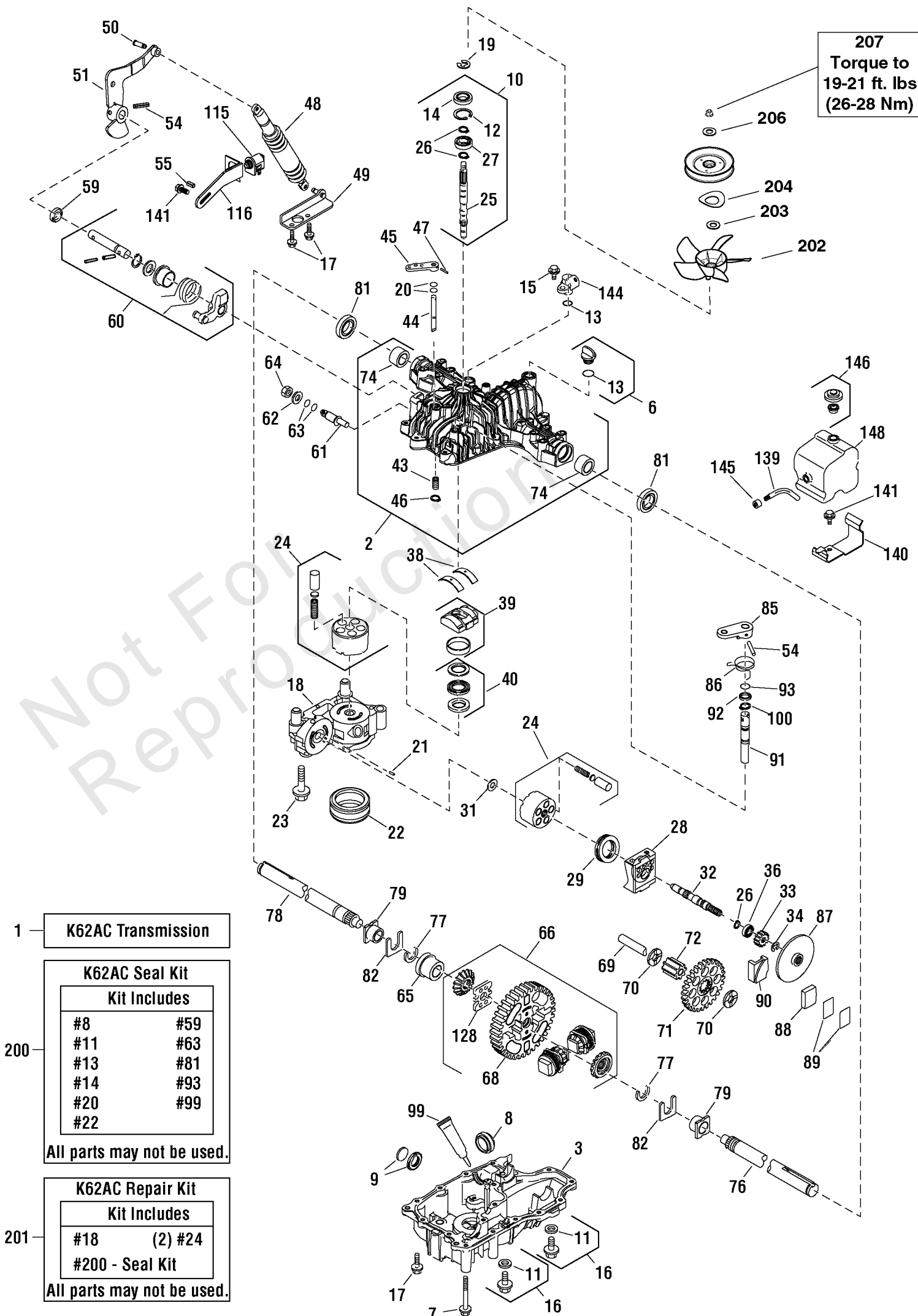
Transmission Group - Tuff Torq K62AC

| REF NO | PART NO | QTY | DESCRIPTION |
|--------|------------|-----|---|
| 0010 | 84003709 | 1 | TRANSMISSION, Tuff Torq, K62AC |
| 0050 | 1721392SM | 1 | BELT, 94.05 |
| 0070 | 1754368AYP | 1 | ARM, Transmission |
| 0080 | 1924940SM | 4 | WASHER, 3/8 |
| 0090 | 1722460SM | 2 | PIN, Quick, 1.19LG |
| 0100 | 1732426SM | 1 | BOLT-SHLDR 5/16-18 0. |
| 0110 | 1935048SM | 1 | NUT, Hex Flange, Two Way Lock, 5/16-18 |
| 0120 | 1755737YP | 1 | BRAKE ROD, Transmission |
| 0120 | 84003888 | 1 | ROD, BRAKE |
| 0130 | 1722684SM | 1 | SPRING, Compression |
| 0140 | 1729277SM | 1 | SPRING, Compression, 3-5/8" |
| 0150 | 1960687SM | 1 | NUT, Hex Flange, ESNA, 3/8-16 |
| 0160 | 1918267SM | 1 | WASHER, 7/16 |
| 0170 | 703312 | 1 | PIN, COTTER, 3/32X.75 |
| 0180 | 84003890 | 1 | ROD |
| 0190 | 1723126SM | 1 | KNOB |
| 0200 | 1754643AYP | 1 | STRAP, Torque, Suspension |
| 0210 | 1931335SM | 1 | BOLT, Carriage, Short Neck, 5/16-18 x 1 |
| 0220 | 1960686SM | 7 | NUT, Hex Flange, ESNA, 5/16-18 |
| 0230 | 1921719SM | 1 | CAPSCREW, Hex Head, 5/16-18 x 2-1/2, GR5 |
| 0240 | 1960141SM | 1 | WASHER, 5/16 |
| 0250 | 1960590SM | 4 | CAPSCREW, Hex Head, 5/16-18 x 3, GR5 |
| 0260 | 1919326SM | 4 | WASHER, 5/16 |
| 0450 | 1755799YP | 1 | PAD, Foot Rest, LH |
| 0460 | 1755642YP | 1 | PAD, Foot Rest, RH |
| 0470 | 1704351SM | 15 | FASTENER, Panel |
| 0480 | 1960676SM | 2 | SCREW, Pan Head Torx, Taptite, 1/4-20 x 1-1/4 |

Transmission SERVICE PARTS - Tuff Torq K62AC (84003709)

Note: Unless noted otherwise, use the standard torque specifications

Mfg. No: 2691673-00



207
Torque to
19-21 ft. lbs
(26-28 Nm)

- 1 — **K62AC Transmission**
- 200 — **K62AC Seal Kit**

| Kit Includes | |
|--------------|-----|
| #8 | #59 |
| #11 | #63 |
| #13 | #81 |
| #14 | #93 |
| #20 | #99 |
| #22 | |

All parts may not be used.
- 201 — **K62AC Repair Kit**

| Kit Includes | |
|--------------|------------|
| #18 | (2) #24 |
| #200 | - Seal Kit |

All parts may not be used.

Transmission SERVICE PARTS - Tuff Torq K62AC (84003709)

| REF NO | PART NO | QTY | DESCRIPTION |
|--------|-----------|-----|--|
| 1 | 84003709 | | TRANSMISSION, Tuff Torq, K62AC |
| 2 | ----- | | * KIT, Upper Case |
| 3 | ----- | | * CASE, Lower |
| 6 | ----- | | * KIT, Cap |
| 7 | 1718226SM | | M8 * 75 SCREW CAP |
| 8 | 1720761SM | | FILTER |
| 9 | 1718065SM | | MAGNET CMP |
| 10 | ----- | | * KIT, PUMP / BEARING / SEAL (ALL K62) |
| 11 | 1720796SM | | WASHER SEAL 10 |
| 12 | 1708650SM | | SNAP RING C 35 |
| 13 | 1707786SM | | O-RING P18 |
| 14 | 7073794YP | | SEAL TC 153507 |
| 15 | 1724695SM | | M8 * 20 FLANGE BOLT |
| 16 | ----- | | *KIT, Drain Bolt |
| 17 | 1707789SM | | TAPPING SCREW 8 * 30 |
| 18 | ----- | | * CENTER CASE A |
| 19 | ----- | | * E-RING, 15 |
| 20 | 1708691SM | | O-RING, 1A P10A |
| 21 | 1718070SM | | PIN 3 * 9.8 |
| 22 | 1725633SM | | FILTER |
| 23 | ----- | | * BOLT, M10 x 65 |
| 24 | ----- | | * KIT, Cylinder Block |
| 25 | ----- | | * PUMP SHAFT |
| 26 | 1718076SM | | E-RING |
| 27 | 1708673SM | | BEARING 6202C3 |
| 28 | ----- | | * MOTOR HOUSING |
| 29 | 1708675SM | | THRUST BEARING |
| 31 | 1718084SM | | WASHER 12 * 24 * 1 |
| 32 | ----- | | * SHAFT, Motor |
| 33 | 1724752SM | | MOTOR GEAR |
| 34 | ----- | | * E-RING |
| 36 | ----- | | * BEARING, 6302DUC3 |
| 38 | 1708677SM | | THRUST METAL |
| 39 | 1724703SM | | SWASH PLATE ASSEMBLY |
| 40 | ----- | | * KIT, Thrust Bearing |
| 43 | 1725730SM | | SPRING 25 |
| 44 | ----- | | * BYPASS SHAFT |
| 45 | 1720418SM | | BYPASS LEVER |
| 46 | ----- | | * RING, 10 |
| 47 | 1707839SM | | SPRING PIN 3.0A * 20 |
| 48 | 1718039SM | | SHOCK ABSORBER K65 |
| 49 | ----- | | * SHOCK STAY |
| 50 | 1724705SM | | PIN |
| 51 | ----- | | * CONTROL LEVER |
| 54 | 1960588SM | | PIN-SPRING 6.00MM X 4 |
| 55 | ----- | | * PIN |
| 59 | 1718120SM | | SEAL TC 162606 |
| 60 | ----- | | * KIT, Control Shaft |

Footnotes:

Note:* See your local authorized dealership for parts and warranty or contact Tuff Torq at www.tufftorqservices.com (U.S. 1-866-572-3441 Int'l 01-423-585-1977)

Transmission SERVICE PARTS - Tuff Torq K62AC (84003709)

| REF NO | PART NO | QTY | DESCRIPTION |
|--------|-----------|-----|--|
| 61 | ----- | | * SPRING, Torsion, Strong |
| 62 | ----- | | * WASHER, 12 |
| 63 | 1707879SM | | O-RING 1A P14 |
| 64 | ----- | | * NUT, 12 |
| 65 | ----- | | * COLLAR 25.4 |
| 66 | ----- | | * KIT, Differential Gear |
| 68 | ----- | | * FINAL GEAR (67T) |
| 69 | ----- | | * FINAL PINION SHAFT |
| 70 | 1724715SM | | WASHER 15 * 35 * 3.2 |
| 71 | ----- | | * REDUCTION GEAR (53T) |
| 72 | 1724717SM | | FINAL PINION Gear (11T) |
| 74 | 1724693SM | | BUSHING 25.4 |
| 76 | 1724718SM | | SHAFT, Axle, LH |
| 77 | 1720859SM | | RETAINING RING 23 |
| 78 | ----- | | * AXLE SHAFT, RH |
| 79 | 1720860SM | | BUSHING 25.4 |
| 81 | 1718264SM | | SEAL S 25.4 * 42 * 8 |
| 82 | 1720858SM | | THRUST WASHER |
| 85 | ----- | | * BRAKE LEVER |
| 86 | ----- | | * BRAKE RETURN SPRING |
| 87 | ----- | | * BRAKE DISC |
| 88 | 1724724SM | | BRAKE SHOE |
| 89 | ----- | | * KIT, Shim |
| 90 | ----- | | * BRAKE ACTUATOR |
| 91 | ----- | | * BRAKE SHAFT |
| 92 | 1724728SM | | WASHER 16 * 23 * 1.6 |
| 93 | 1708690SM | | O-RING 1A P12 |
| 99 | ----- | | * SEALANT |
| 100 | ----- | | * SNAP RING |
| 115 | ----- | | * ROS SWITCH |
| 116 | ----- | | * ROS SWITCH PLATE |
| 128 | ----- | | * DIFFERENTIAL LOCK PLATE, 19 Holes |
| 139 | ----- | | * PIPE |
| 140 | ----- | | * TANK BRACKET |
| 141 | ----- | | * SCREW, Tapping, 8 x 20 |
| 144 | ----- | | * FITTING |
| 145 | 1724745SM | | SEAL |
| 146 | 1724740SM | | VENT VALVE 15 |
| 148 | 1724742SM | | RESERVOIR TANK |
| 200 | 1731977YP | | SEAL KIT |
| 201 | ----- | | * KIT, Repair (K62A,B,C,E,F,G,J & K) |
| 202 | 84003870 | | FAN |
| 203 | 84003871 | | WASHER, Flat |
| 204 | 1761520YP | | WASHER, Wave, 0.65" ID |
| 205 | 1732918SM | | PULLEY D |
| 206 | 704128 | | WASHER |
| 207 | 1719968SM | | NUT, Hex Flange, M10-1.5, Nylon Insert |

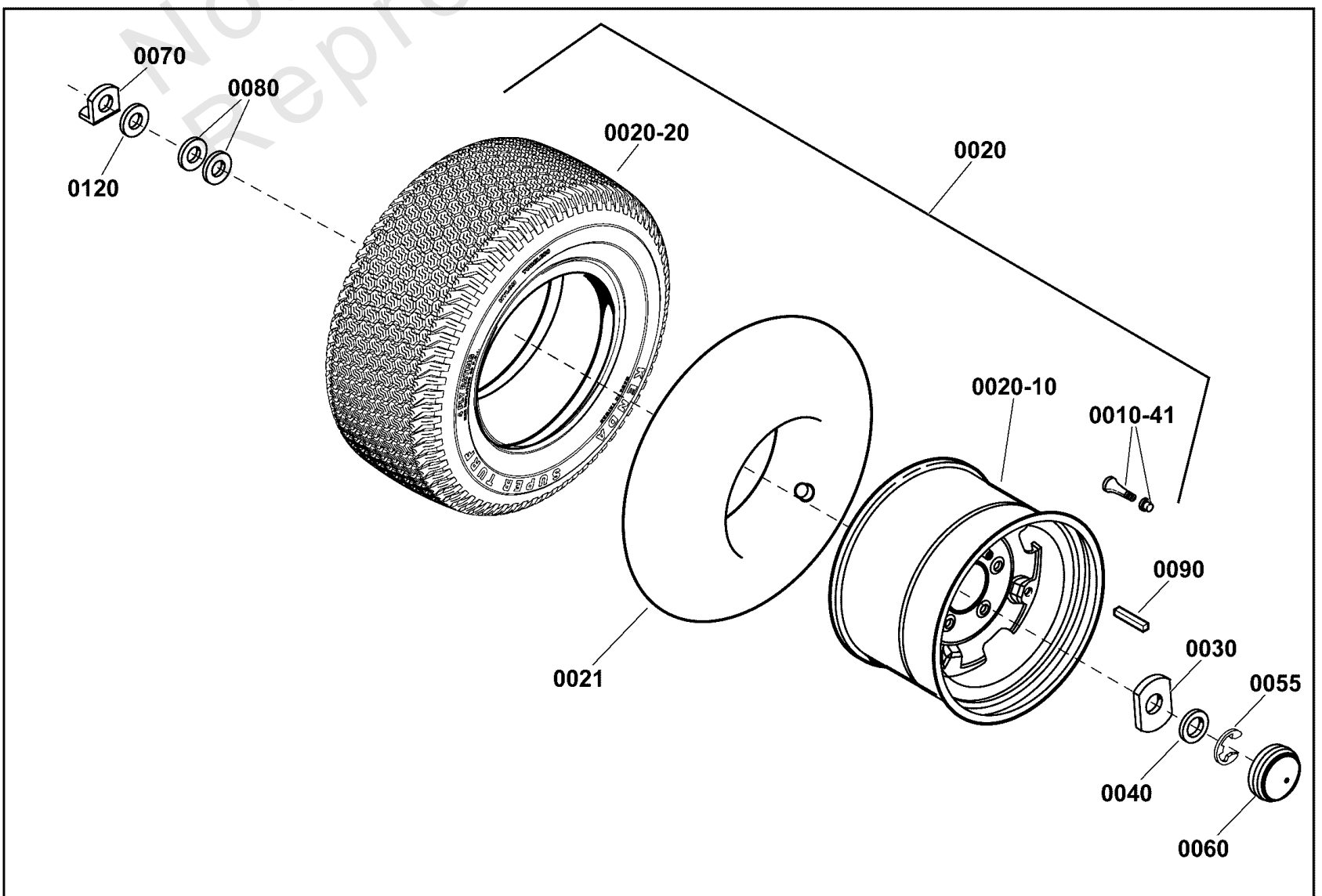
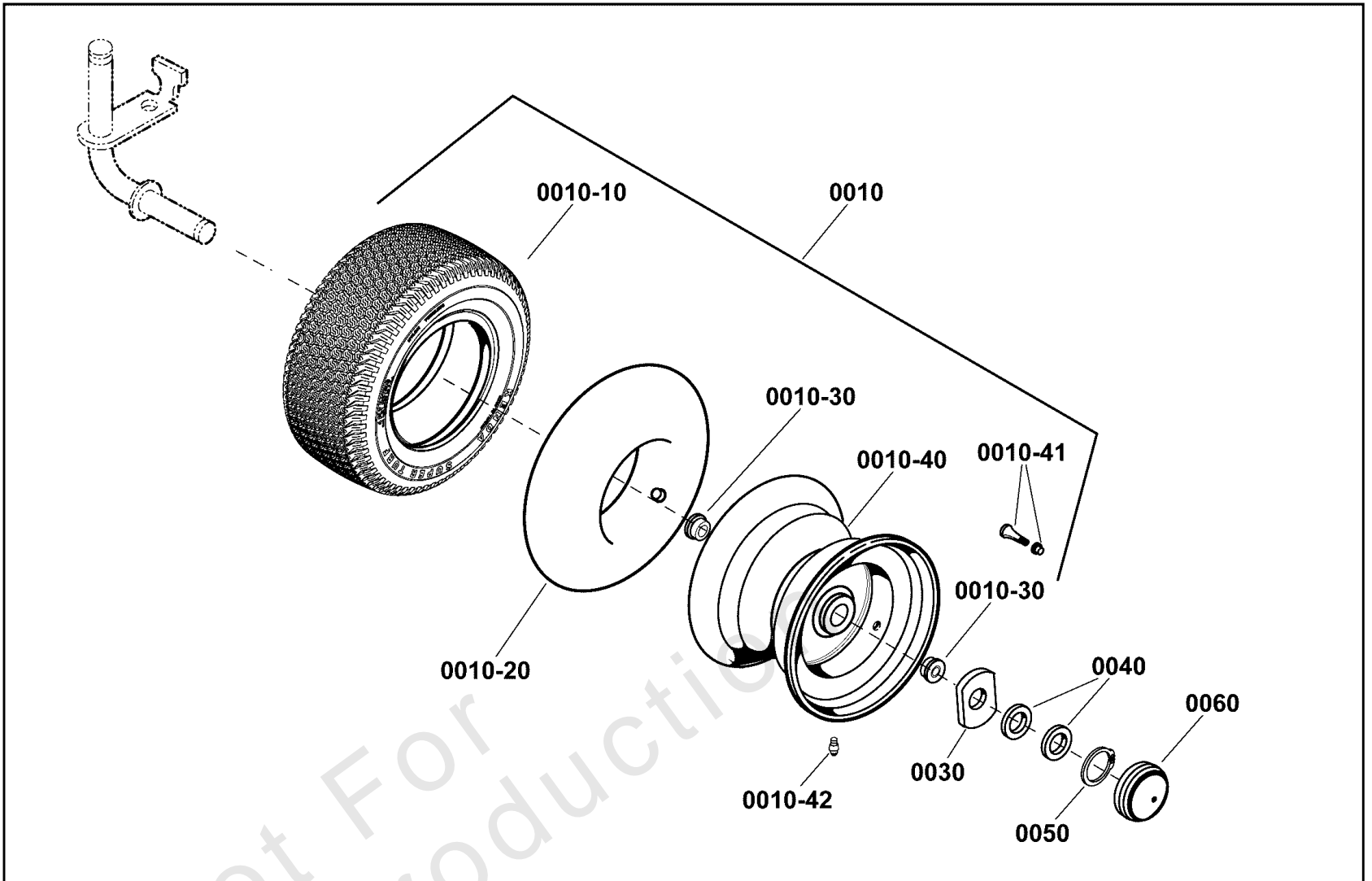
Footnotes:

Note:* See your local authorized dealership for parts and warranty or contact Tuff Torq at www.tufftorqservices.com (U.S. 1-866-572-3441 Int'l 01-423-585-1977)

Wheels & Tires Group

Note: Unless noted otherwise, use the standard torque specifications

Mfg. No: 2691673-00



Wheels & Tires Group

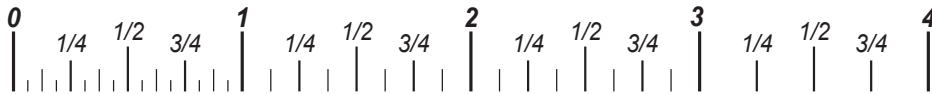
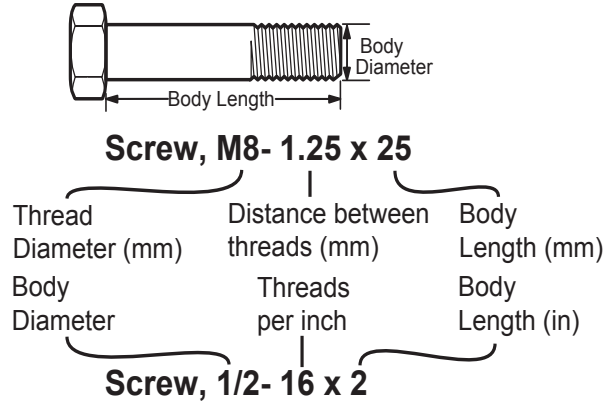
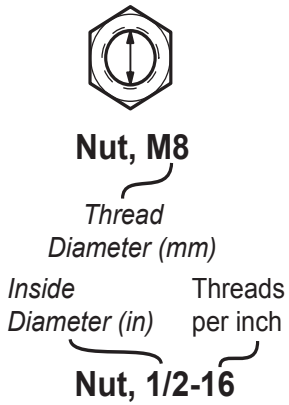
| REF NO | PART NO | QTY | DESCRIPTION |
|---------|------------|-----|--|
| 0010 | 84002906 | 2 | TIRE ASSEMBLY -(Includes Ref. Nos. 0010-10, 0010-20, 0010-30, 0010-40, 0010-41 & 0010-42) |
| 0010-10 | 1723882SM | 2 | TIRE, 15 x 6, Super Turf -(Included with Ref. No. 0010) |
| 0010-20 | 2173477SM | 2 | TUBE -(Included with Ref. No. 0010) |
| 0010-30 | 1717056SM | 2 | BEARING, Ball 25M -(Included with Ref. No. 0010) |
| 0010-40 | ----- | 1 | RIM, Wheel, Front -(Included with Ref. No. 0010) (Not a serviceable part) |
| 0010-41 | 2172353SM | 2 | VALVE STEM & CAP -(Included with Ref. No. 0010) (Included with Ref. No. 0020) |
| 0010-42 | 2812808SM | 2 | FITTING, Lube, 1/4 -(Included with Ref. No. 0010) |
| 0020 | 1759786YP | 2 | WHEEL & TIRE ASSEMBLY, Rear, 22 x 10-10 -(Includes Ref. Nos. 0020-10, 0020-20 & 0010-41) |
| 0020-10 | ----- | 1 | RIM, Wheel, Rear -(Included with Ref. No. 0020) (Not a serviceable part) |
| 0020-20 | 1722830SM | 2 | TIRE-23 X 10.50- -(Included with Ref. No. 0020) |
| 0021 | 2173477SM | 2 | TUBE |
| 0030 | 1722726SM | 4 | WASHER |
| 0040 | 703149 | 6 | WSHR |
| 0050 | 2832577SM | 2 | RING, Retainer |
| 0055 | 2834712SM | 2 | RING, "E" External, (Units with K62) |
| 0060 | 1722676SM | 4 | HUB CAP |
| 0070 | 1737043AYP | 2 | WASHER, Bracket, Axle Seal |
| 0080 | 2860200SM | 1 | WASHER, 1" I.D., 2-1/4" O.D. |
| 0090 | 2105337SM | 2 | KEY, Hi Pro 1/4 x 2 (Units with K62) |
| 0120 | 1960701SM | 4 | WASHER, 1 x 2-1/4 x 1/8 |

Hardware Identification & Torque Specifications

| Torque Specification Chart | | | | | | | | |
|--|-----------|------|-----------|------|------------|------|------------|------|
| FOR STANDARD METRIC MACHINE HARDWARE (Tolerance ± 20%) | | | | | | | | |
| Property Class | 5.6 | | 8.8 | | 10.9 | | 12.9 | |
| | Class 5.6 | | Class 8.8 | | Class 10.9 | | Class 12.9 | |
| Size Of Hardware | in/lbs | Nm. | in/lbs | Nm. | in/lbs | Nm. | in/lbs | Nm. |
| | ft/lbs | | ft/lbs | | ft/lbs | | ft/lbs | |
| M3 | 5.88 | .56 | 13.44 | 1.28 | 19.2 | 1.80 | 22.92 | 2.15 |
| M4 | 13.44 | 1.28 | 30.72 | 2.90 | 43.44 | 4.10 | 52.56 | 4.95 |
| M5 | 26.4 | 2.50 | 60.96 | 5.75 | 5.97 | 8.10 | 7.15 | 9.7 |
| M6 | 44.64 | 4.3 | 7.3 | 9.9 | 10.3 | 14 | 12.1 | 16.5 |
| M7 | 5.2 | 7.1 | 12.1 | 16.5 | 16.9 | 23 | 19.9 | 27 |
| M8 | 7.7 | 10.5 | 17.7 | 24 | 25 | 34 | 29 | 40 |
| M10 | 15 | 21 | 35 | 48 | 50 | 67 | 59 | 81 |
| M12 | 26 | 36 | 61 | 83 | 86.2 | 117 | 103 | 140 |
| M14 | 42 | 58 | 101 | 132 | 136 | 185 | 162 | 220 |
| M16 | 64 | 88 | 147 | 200 | 210 | 285 | 250 | 340 |
| M18 | 89 | 121 | 202 | 275 | 287 | 390 | 346 | 470 |
| M20 | 126 | 171 | 290 | 390 | 405 | 550 | 486 | 660 |
| M22 | 169 | 230 | 390 | 530 | 559 | 745 | 656 | 890 |
| M24 | 217 | 295 | 497 | 375 | 708 | 960 | 840 | 1140 |
| M27 | 320 | 435 | 733 | 995 | 1032 | 1400 | 1239 | 1680 |
| M30 | 435 | 590 | 995 | 1350 | 1401 | 1900 | 1681 | 2280 |
| M33 | 590 | 800 | 1349 | 1830 | 1902 | 2580 | 2278 | 3090 |
| M36 | 759 | 1030 | 1740 | 2360 | 2441 | 3310 | 2935 | 3980 |
| M39 | 988 | 1340 | 2249 | 3050 | 3163 | 4290 | 3798 | 5150 |

| Torque Specification Chart | | | | | | |
|---|-------------|-------|-------------|-------|-------------|---------|
| FOR STANDARD MACHINE HARDWARE (Tolerance ± 20%) | | | | | | |
| Hardware Grade | No Marks | | SAE Grade 5 | | SAE Grade 8 | |
| | SAE Grade 2 | | SAE Grade 5 | | SAE Grade 8 | |
| Size Of Hardware | in/lbs | Nm. | in/lbs | Nm. | in/lbs | Nm. |
| | ft/lbs | | ft/lbs | | ft/lbs | |
| 8-32 | 19 | 2.1 | 30 | 3.4 | 41 | 4.6 |
| 8-36 | 20 | 2.3 | 31 | 3.5 | 43 | 4.9 |
| 10-24 | 27 | 3.1 | 43 | 4.9 | 60 | 6.8 |
| 10-32 | 31 | 3.5 | 49 | 5.5 | 68 | 7.7 |
| 1/4-20 | 66 | 7.6 | 8 | 10.9 | 12 | 16.3 |
| 1/4-28 | 76 | 8.6 | 10 | 13.6 | 14 | 19.0 |
| 5/16-18 | 11 | 15.0 | 17 | 23.1 | 25 | 34.0 |
| 5/16-24 | 12 | 16.3 | 19 | 25.8 | 29 | 34.0 |
| 3/8-16 | 20 | 27.2 | 30 | 40.8 | 45 | 61.2 |
| 3/8-24 | 23 | 31.3 | 35 | 47.6 | 50 | 68.0 |
| 7/16-14 | 30 | 40.8 | 50 | 68.0 | 70 | 95.2 |
| 7/16-20 | 35 | 47.6 | 55 | 74.8 | 80 | 108.8 |
| 1/2-13 | 50 | 68.0 | 75 | 102.0 | 110 | 149.6 |
| 1/2-20 | 55 | 74.8 | 90 | 122.4 | 120 | 163.2 |
| 9/16-12 | 65 | 88.4 | 110 | 149.6 | 150 | 204.0 |
| 9/16-18 | 75 | 102.0 | 120 | 163.2 | 170 | 231.2 |
| 5/8-11 | 90 | 122.4 | 150 | 204.0 | 220 | 299.2 |
| 5/8-18 | 100 | 136 | 180 | 244.8 | 240 | 326.4 |
| 3/4-10 | 160 | 217.6 | 260 | 353.6 | 386 | 525.0 |
| 3/4-16 | 180 | 244.8 | 300 | 408.0 | 420 | 571.2 |
| 7/8-9 | 140 | 190.4 | 400 | 544.0 | 600 | 816.0 |
| 7/8-14 | 155 | 210.8 | 440 | 598.4 | 660 | 897.6 |
| 1-8 | 220 | 299.2 | 580 | 788.8 | 900 | 1,244.0 |
| 1-12 | 240 | 326.4 | 640 | 870.4 | 1,000 | 1,360.0 |

The guides and ruler furnished below are designed to help you select the appropriate hardware.



Standard Hardware Sizing

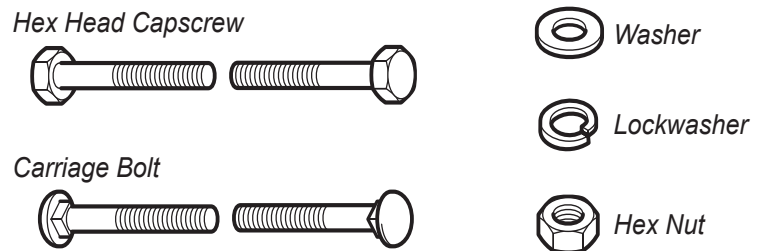
When a washer or nut is identified as 1/2" (M8), this is the *Nominal size*, meaning the *inside diameter* is 1/2 inch (8mm metric thread diameter); if a second number is present it represents the *threads per inch* (distance between threads).

When bolt or capscrew is identified as 1/2 - 16 x 2" (M8 - 1.25 x 50), this means the *Nominal size*, or body diameter is 1/2 inch (8mm metric thread diameter), the second number, 16, represents the *threads per inch*, (*distance between threads*). The final number is the body length of the bolt or screw, 2 inches (50mm).

NOTES

- These torque values are to be used for all hardware excluding: locknuts, self-tapping screws, thread forming screws, sheet metal screws and socket head setscrews.
- Recommended seating torque values for locknuts:
 - for prevailing torque locknuts - use 65% of grade 5 torques.
 - for flange whizlock nuts and screws - use 135% of grade 5 torques.
- Unless otherwise noted on assembly drawings, all torque values must meet this specification.

Common Hardware Types



Wrench & Fastener Size Guide

| | | | | |
|----------------------------------|----------------------------------|----------------------------------|--|---------------------------------|
| | | | | |
| 1/4" Bolt or Nut Wrench—7/16" | 5/16" Bolt or Nut Wrench—1/2" | 3/8" Bolt or Nut Wrench—9/16" | 7/16" Bolt or Nut Wrench (Bolt)—5/8" Wrench (Nut)—11/16" | 1/2" Bolt or Nut Wrench—3/4" |
| M6 Bolt or Nut Wrench—10mm | M8 Bolt or Nut Wrench—13mm | M10 Bolt or Nut Wrench—17mm | M12 Bolt or Nut Wrench—19mm | M14 Bolt or Nut Wrench—22mm |

